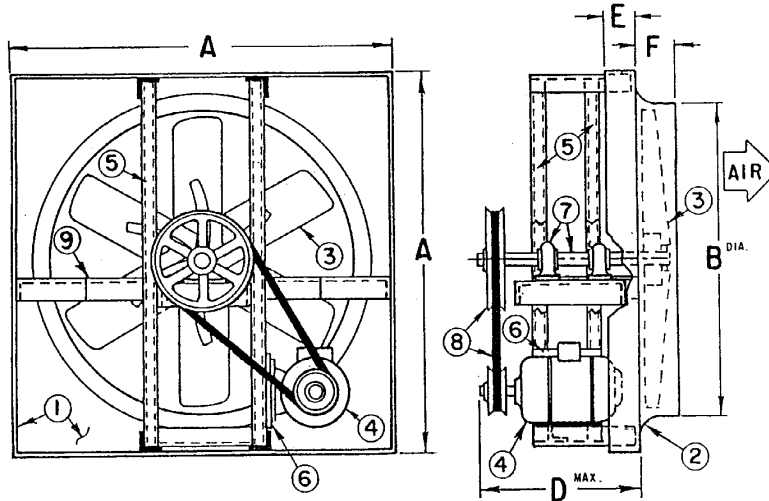


# Breezeway

## Model: BCH - Sizes 24 through 60



### Legend

1. Epoxy Coated Steel Panel
2. Venturi Orifice
3. Fan Blade (Cast Aluminum Prop)
4. Ball Bearing Motor
5. Welded Tubular Support Frame
6. Welded Motor Mounting Plate
7. Fan Shaft & Bearings
8. Belt & Cast Pulleys
9. Lateral Support

### Dimensional Data

Model	A	B <sup>DIA.</sup>	D <sup>MAX.</sup>	E	F
BCH24	28	25	16	3	3
BCH30	34	31	18	2 1/2	3
BCH36	40	37	20	3	4 3/4
BCH42	46	43	22	3 3/4	4 1/2
BCH48	54	49	25	2 3/4	4 3/4
BCH54	60	55	28	3	5
BCH60	66	61	28	2 3/4	6

**Note:** Guards should be installed when fans are located within seven feet of floor and/or working level or within reach of personnel. (review OSHA codes for specific requirements).

All dimensions in inches.

**Material:** Galvanized Steel

<p style="text-align: center;"><b>PENNBARRY™</b></p> <p>1401 North Plano Road, Richardson, TX 75081 Ph: 972.234.3202 Fax: 972.497.0468 <a href="http://www.PennBarry.com">www.PennBarry.com</a></p>	<h2 style="margin: 0;">Submittal Sheet</h2> <h3 style="margin: 0;">Breezeway - BCH Series</h3> <p style="margin: 0;"><b>Cast Propellers Exhaust Belt Drive</b></p>
---	--

This drawing illustrates our understanding of order requirements. When approved, it represents details for fabrication, as such, PennBarry will not be responsible for revisions in the field or other changes after release for fabrication. Published and protected by PennBarry, Richardson, TX. All rights reserved. May not be reproduced partially or in full without permission from the publisher. No rights conveyed to manufacture partially or in full, use or sell either the method of construction represented or any invention in any way related thereto.