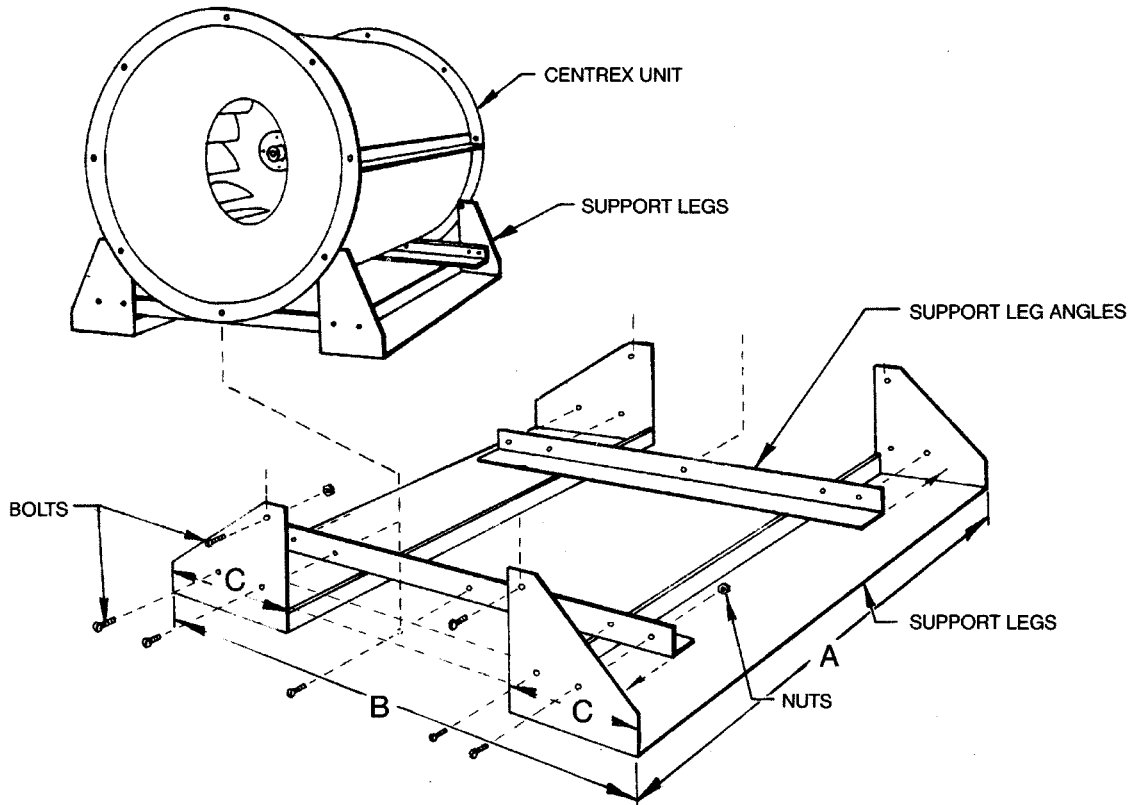


CENTREX - Support Legs



Assembly Instructions

- Step #1** - Bolt support leg angles to support legs with hardware supplied.
- Step #2** - Bolt support leg assembly to Centrex unit.
- Step #3** - Fasten down support legs by drilling holes thru bottom plates. Size and location of holes depend upon type of fasteners used by contractor.

Note: Heavy duty neoprene vibration isolation pads are available for under support legs.

Dimensional Data

	REX08	REX10	REX12	REX12B	REX14B	REX20B	REX22B	REX27B	REX33B
A	16 1/2	21	22	23	25	30	32	36	38
B	13 1/2	21 1/4	23 1/2	23 1/2	25 1/2	34	37 3/4	46 3/4	53 1/4
C	3 9/16	7 1/16	7 1/16	7 1/16	7 1/16	7 1/16	9	9	9

All dimensions in inches.



PENNBARRY™

1401 North Plano Road, Richardson, TX 75081

Ph: 972.234.3202 Fax: 972.497.0468

www.PennBarry.com

Submittal Sheet

CENTREX - Support Legs

For CENTREX Model 'REX' Inline Fans

This drawing illustrates our understanding of order requirements. When approved, it represents details for fabrication, as such, PennBarry will not be responsible for revisions in the field or other changes after release for fabrication. Published and protected by PennBarry, Richardson, TX. All rights reserved. May not be reproduced partially or in full without permission from the publisher. No rights conveyed to manufacture partially or in full, use or sell either the method of construction represented or any invention in any way related thereto.

Form ES-CSL575

Revised March 2005