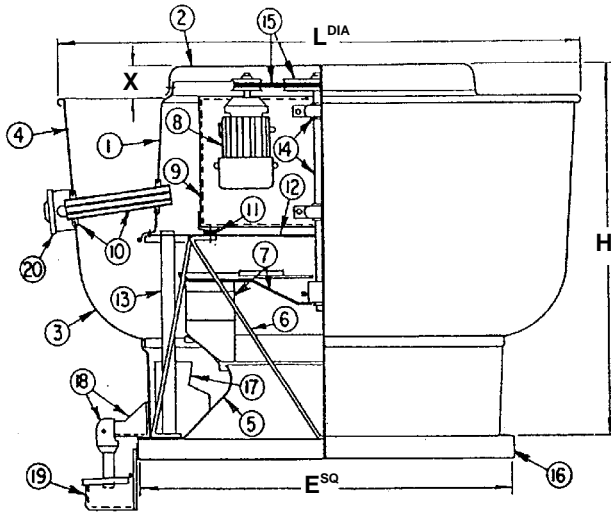
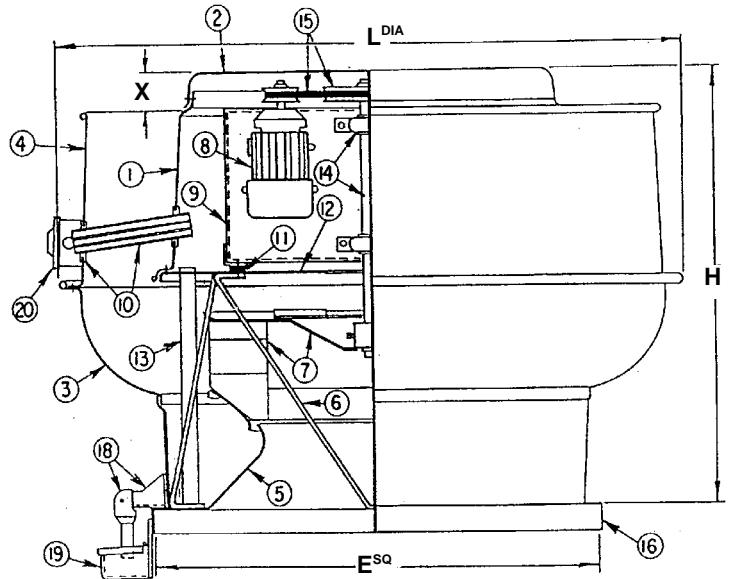


High Pressure Fumex - Belt Drive

**FX12BH, FX12BHFT,
FX13BHFT**



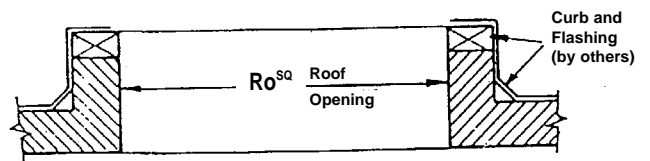
**FX18BH, FX18BHFT, FX24BH,
FX24BHFT**



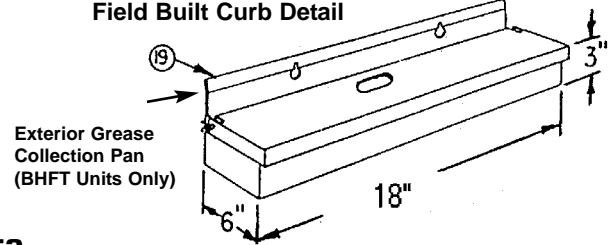
Legend

- | | |
|-------------------------------------------------|--------------------------------------------------------------------------------------------------------|
| 1. Motor Dome | 12. Top Plate |
| 2. Motor Dome Top | 13. Conduit Guide-(Not On BHFT Units) |
| 3. Discharge Apron* | 14. Fan Shaft & Bearings |
| 4. Windband* | 15. Belt & Pulleys |
| 5. Spun Inlet Venturi | 16. Mounting Base |
| 6. Tri-Strut™ Brace | 17. Air Cut Off (FX12BHFT - FX13BHFT Only) |
| 7. Centrifugal Fan Wheel
(With Cooling Vane) | 18. Grease Drain & Down Spout
(BHFT Units Only) |
| 8. Motor* | 19. Exterior Grease Collection Pan
(BHFT Units Only) |
| 9. Motor Support Plate | 20. Weather Tight Disconnect Switch
(Only On BHFT Units For Alternate
External Wiring-By Others) |
| 10. Cooling Tube & Gaskets | |
| 11. Anti-Vibration Mounts | |

* Discharge apron & windband are one piece on sizes FX12BH, FX12BHFT, FX13BHFT.



Field Built Curb Detail



Dimensional Data


Dimensions	Belt Drive Models			
	FX12BH, FX12BHFT	FX13BHFT	FX18BH, FX18BHFT	FX24BH, FX24BHFT
L ^{DIA}	35	35	39	46
H	28 3/4	28 3/4	31	34 1/2
E ^{†SQ}	24 3/4	24 3/4	28 1/2	33 1/2
X	5 3/4	5 3/4	6 1/2	7
Ro ^{SQ}	16	16	20	25

† Outside dimension of curb should be 1 1/2" less than 'E' dimension.

• At PennBarry's option, large frame motors may be removed after testing and shipped separately.

All dimensions in inches.

Material: Spun Aluminum Housing

 PENNBARRY™ 1401 North Plano Road, Richardson, TX 75081 Ph: 972.234.3202 Fax: 972.497.0468 www.PennBarry.com	<h2 style="margin: 0;">Submittal Sheet</h2> <h3 style="margin: 0;">High Pressure Fumex</h3> <h4 style="margin: 0;">Belt Drive</h4> <h4 style="margin: 0;">Spun Aluminum</h4> <h4 style="margin: 0;">Centrifugal Upblast Roof Exhauster</h4>
--------------------------------------------------------------------------------------------------------------------------------------------------------------------------------------------------------------------	---------------------------------------------------------------------------------------------------------------------------------------------------------------------------------------------------------------------------------------------

This drawing illustrates our understanding of order requirements. When approved, it represents details for fabrication, as such, PennBarry will not be responsible for revisions in the field or other changes after release for fabrication. Published and protected by PennBarry, Richardson, TX. All rights reserved. May not be reproduced partially or in full without permission from the publisher. No rights conveyed to manufacture partially or in full, use or sell either the method of construction represented or any invention in any way related thereto.

Form ES-FXHP
Revised March 2005