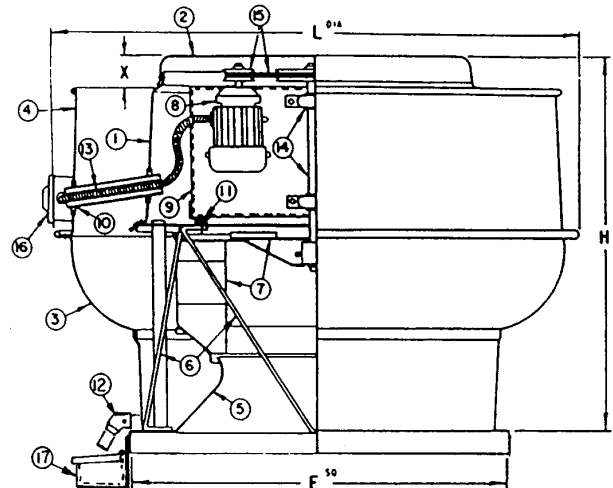
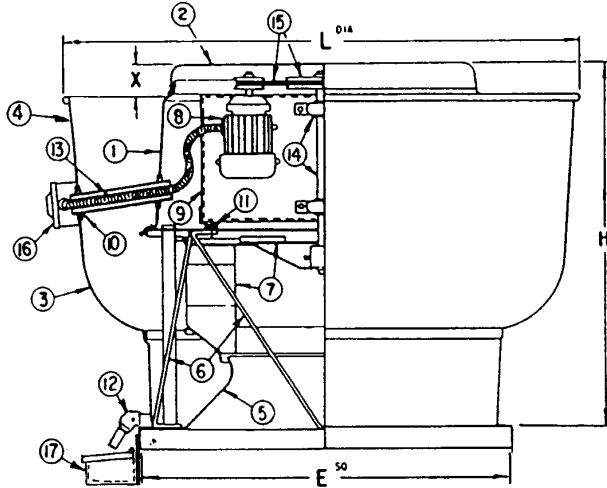


Fumex Fatrap

FX08BFT - FX14BFT

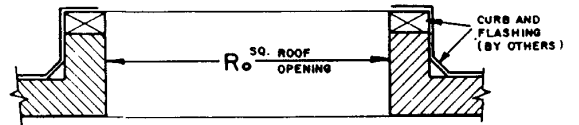
FX16BFT - FX36BFT



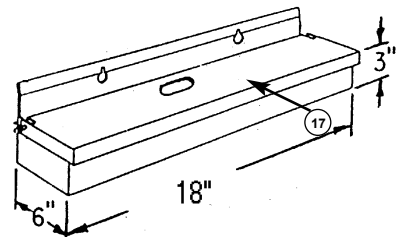
Legend

- | | |
|---|--|
| 1. Motor Dome | 10. Cooling Tube & Gasket |
| 2. Motor Dome Top | 11. Anti-Vibration Mounts |
| 3. Discharge Apron* | 12. Grease Drain Spout |
| 4. Windband | 13. Conduit Guide |
| 5. Spun Inlet Venturi | 14. Fan Shaft & Bearings |
| 6. Tri-Strut™ Brace | 15. Belt & Pulleys |
| 7. Centrifugal Fan Wheel
(With Intake Fan) | 16. Weather-Tight
Disconnect Switch |
| 8. Motor | 17. Exterior Grease
Collection Pan |
| 9. Motor Support Plate | |

* Discharge Apron & Windband one piece on sizes FX08BFT-FX14BFT.



"Field Built Curb Detail"



Dimensional Data

Dimensions	Belt Drive Models								
	FX08BFT	FX10BFT	FX13BFT	FX14BFT	FX16BFT	FX18BFT	FX24BFT	FX30BFT	FX36BFT
L ^{DIA.}	35	35	35	35	39	39	46	53 1/2	66
H	28 3/4	28 3/4	28 3/4	28 3/4	31	31	34 1/2	35 1/2	47 1/2
E† ^{SQ.}	24 3/4	24 3/4	24 3/4	24 3/4	28 1/2	28 1/2	33 1/2	36 1/2	44 1/2
X	5 3/4	5 3/4	5 3/4	5 3/4	6 1/2	6 1/2	7	6 1/2	*
Ro ^{SQ.}	16	16	16	16	20	20	25	28	36


† Outside dimension of curb should be 1 1/2" less than 'E' dimension.

All dimensions in inches.

* Motor Dome does not extend above upper discharge apron on these models.

• At PennBarry's option, large frame motors may be removed after testing and shipped separately.

Material: Spun Aluminum Housing

 PENNBARRY™ 1401 North Plano Road, Richardson, TX 75081 Ph: 972.234.3202 Fax: 972.497.0468 www.PennBarry.com	<h2 style="margin: 0;">Submittal Sheet</h2> <h3 style="margin: 0;">Fumex Fatrap - Belt Drive</h3> <h3 style="margin: 0;">Spun Aluminum</h3> <h3 style="margin: 0;">Centrifugal Upblast Roof Exhauster</h3>
--	--

This drawing illustrates our understanding of order requirements. When approved, it represents details for fabrication, as such, PennBarry will not be responsible for revisions in the field or other changes after release for fabrication. Published and protected by PennBarry, Richardson, TX. All rights reserved. May not be reproduced partially or in full without permission from the publisher. No rights conveyed to manufacture partially or in full, use or sell either the method of construction represented or any invention in any way related thereto.

Form ES-FMT
Revised March 2005