

Fumex

(Standard, Heat & Smoke & Restaurant Exhaust)
Centrifugal Roof & Wall: Direct & Belt Drive
Exhausters

OPERATION & MAINTENANCE MANUAL



PENNBARRY™



IMPORTANT! Read before proceeding!

Please read and save these instructions. Read carefully before attempting to assemble, install, operate or maintain the product described. Protect yourself and others by observing all safety information. Failure to comply with instructions could result in personal injury and/or property damage! Retain instructions for future reference.

TABLE OF CONTENTS

INTRODUCTION	3
INSTALLATION	4-8
START-UP AND OPERATION	9-10
MAINTENANCE	11-13
WHEEL ALIGNMENT PROCEDURES	14
TROUBLESHOOTING CHECKLIST	15
PARTS LISTS & DIMENSIONS	16
DIRECT DRIVE - EXPLOSION PROOF MOTOR	17
WIRING HARNESS - DISCONNECT DEVICE	18
WIRING HARNESS – ECM	19-21
WIRING SCHEMATICS - ECM	22-23
WIRING - PM/AC MOTOR WITH SPEED CONTROLLER/VFD	24-26

INTRODUCTION

Description

These laboratory fume hoods were designed for severe service removing foul air from industrial and commercial buildings. The housing and wheel are constructed of aluminum; heat and smoke removal utilizes a steel wheel. Motor compartment is externally cooled and located out of the discharge air stream. Power ventilators suitable for Restaurant Exhaust Appliances (YZHW) are accordingly labeled. Power ventilators suitable for smoke removal are accordingly labeled. These units require installation according to NFPA-96 standards, local codes and general practices. Sizes up to Model 24B are available as wall mounted units (WFX).

Receiving and handling

PennBarry fans are carefully inspected before leaving the factory. When the unit is received, inspect the carton for any signs of tampering. Inspect the unit for any damage that may have occurred during transit and check for loose, missing or damaged parts. Mishandled units can void the warranty provisions. If units are damaged in transit, it is the responsibility of the receiver to make all claims against the carrier. PennBarry is not responsible for damages incurred during shipment.

Avoid severe jarring and/or dropping. Handle units with care to prevent damage to components or finishes. If the unit is scratched due to mishandling, the protective coating may be damaged. Incorrect lifting may damage the fan and void the warranty.

Storage

Long-term storage requires special attention. Store units on a level, solid surface, preferably indoors. If outside storage is necessary, protect the units against moisture and dirt by encasing the cartons in plastic or in some similar weatherproof material. Periodically inspect units and rotate wheels to spread bearing lubricant. Failure to rotate wheels results in reduced bearing life and may void the manufacturer's warranty. If the unit will be stored for an extended time, remove belts. Belts which remain under tension in a stationary position for extended periods are likely to have a reduced operating life.

Unpacking

Place the carton in an upright position and remove the staples or use a sharp (knife edge) tool to carefully cut or scribe the sealing tape on both sides at the top of the carton. Open carton flaps. Remove any cardboard and wooden filler pieces, as well as loose components or accessories shipped with the unit.

Carefully remove the unit from the carton. Inspect the unit for any damage that may have occurred during transit and check for loose, missing or damaged parts.



INSTALLATION



When the unit is installed on a sloped roof, suitable footing and/or other safety devices must be provided around the ventilator for normal maintenance. Depending upon the site conditions, the hinging of the ventilator off the curb during maintenance should be either parallel to the roof ridge or toward the roof ridge but NOT away from the ridge.



NFPA-96 recommends that dampers should not be installed when exhauster is used for the removal of smoke and grease laden vapors from commercial cooking equipment. Consult state and local codes for detailed requirements.



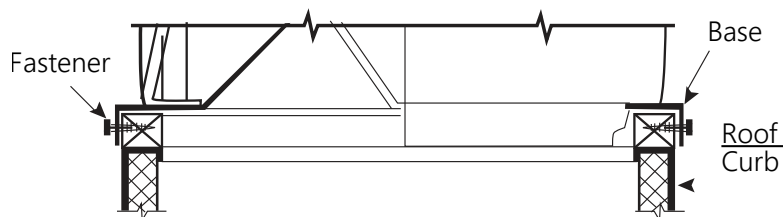
For installation in high velocity hurricane zones, unit must be installed per instructions under Anchoring and Installing the Ventilator



To fulfill our obligations towards Article 33, in accordance to European REACH Regulation No 1907/2006 EC, we hereby inform you that this article contains the following Substances of Very High Concern mentioned on the Candidate list:

- Lead

Figure 1: Roof Curb Installation



DAMPERS: ROOF MOUNTING

When required, install dampers prior to mounting the unit on the curb or frame. Dampers are sized to fit within the roof opening. Secure using standard hardware. If the damper is installed on the inside of the curb, a piece of wood may be required as a "spacer". Do not twist or distort the damper frame. Damper frame must be reasonably level on all sides. Check for free operation. If dampers are motor operated type, ascertain that proper voltage is applied on motor terminals.

ANCHORING AND INSTALLING THE VENTILATOR

Roof mounting must be in accordance with the latest edition of NFPA-96 and local codes. If not specified by codes, secure unit to curb through pre-punched holes in the ventilator base's vertical flange (see Figure 1 below).

In order to complete some installations, specifically kitchen exhaust, you will require an 18" high curb as well as a weather resistant junction box and hinge assembly.

Guy down large units installed in areas subject to high winds or unusual field conditions. If the installer removes any ventilator parts to facilitate installation or electrical connection, reassemble all parts by replacing all spacers, washers, nuts, bolts, fasteners and components exactly as they were found prior to removal. Draw all fasteners tight and secure.

FLOATING HINGE INSTRUCTIONS

1. If any gasket is to be field installed, this should be completed before installing the floating hinge. If a grease collection box will be installed, it should be installed after the floating hinge is and not on either the hinge or handle sides of the unit.
2. If this item is provided, hardware is included. Review figure 2 for illustrations regarding this installation.
3. Take backplate and position inside the pedestal, flush with both the top and rear vertical surfaces, to allow for the pedestal metal thickness. Use this plate as a template to mark the hole locations. Drill two "3/8" diameter holes through curb or pedestal. Fasten with two (2) 3/8-16 X 1/2" whiz bolts and nuts as shown in the drawing. Do this for both sides of the pedestal.
4. Bolt both backplates in place INSIDE the pedestal. Slide bushing over the rear most backplate bolt.

INSTALLATION

Figure 2: Floating Hinge Installation

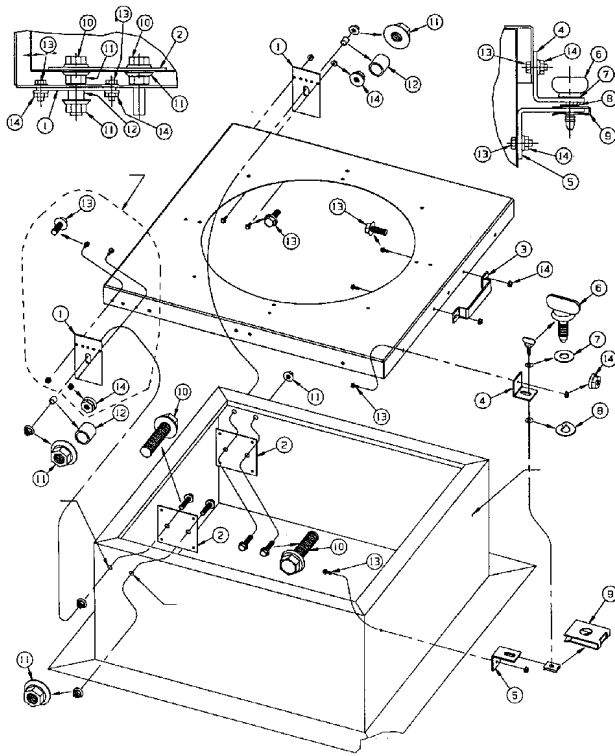


Figure 3: Wall Mount Installation

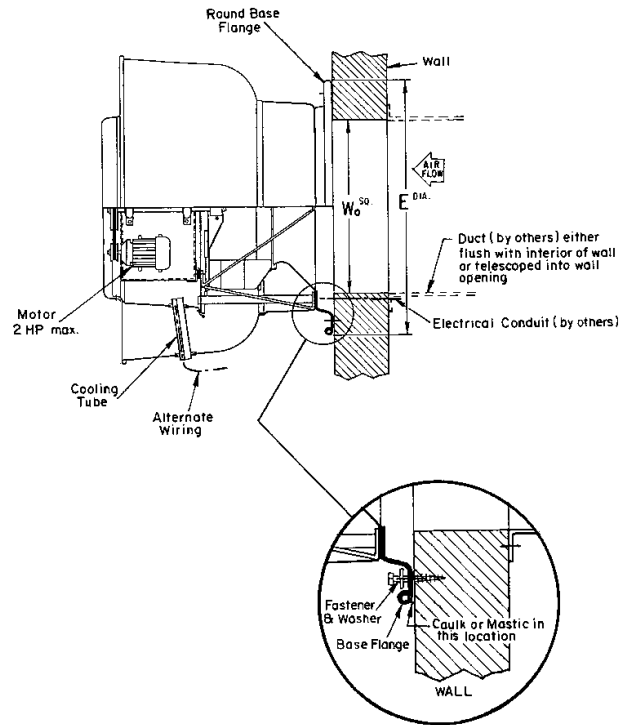


Table 1: Wall Mount Dimensions

Drive Type	Model	E DIA.	W ₀ ^{SQ}
Direct Drive	FX08	24"	9"
	FX10-FX13	24"	11 1/2"
	FX16	24"	16"
	FX18	29 1/2"	20"
Belt Drive	FX08B-FX14B	27 1/4"	16"
	FX16B-FX18B	29 1/2"	20"
	FX24B	35 7/8"	25"

5. Insert two (2) 10/32 X 1/2" whiz bolts through pre-punched holes on each side of the ventilator base.
6. Position the ventilator on top of the pedestal. Install the floating hinge by aligning the slotted hole over the bushing (on rear most bolt) and onto the two bolts on the ventilator base. Fasten with (2) 10/32 whiz nuts and tighten on each side. Also, take 3/8" whiz nut and install on hinge bolt to hold bushing and hinge at pivot point. The forward backplate bolt functions as a stop; nothing is attached to it.
7. Install the lift handle with two (2) 10/32 X 1" bolts and nuts and equip the hold-down lugs to ventilator base with one (1) 10/32 X 1" bolt and nut each using the pre-punched holes.
8. Drill 15/64" diameter hole in each side of curb or pedestal to match slotted hole on hold down lug and insert 1/4" X 3/4" self tap screw from inside curb or pedestal. Attach 1/4"-20 wing nut to screw on each side lug. Tighten wing nut on each side to hold unit down in locking position.

INSTALLATION

WALL MOUNTING

Fumex fans are available with round bases to facilitate wall mounting through size 24B (WFX). If installing these units, ensure the wall mounting surface is leak-free. To ensure weather-tightness, coat the entire rear side (that portion which mates with the wall) of the mounting flange with a suitable caulking compound or an approved waterproof mastic sealer.

On masonry walls, attach the base flange with lead cinch type anchors and a nonferrous bolt. On sidings, use nonferrous lag bolts. Washers are recommended to be used under the bolt heads.

Table 2: Floating Hinge Parts List

Ref. #	Description
1	Floating Hinge (2)
2	Back Plate (2)
3	3/8"-16 X 1 1/2 Whiz Bolt (4)
4	3/8" Whiz Nut (6)
5	1/2-3/8 X 3/8 Lg. Bushing (2)
6	10-32 X 1/2" Whiz Bolt (4)
7	10-32 Whiz Nut (8)
8	Lifting Handle
9	Hold Down Lug (2)
10	10-32 X 1" Bolt (4)
11	1/4" X 3/4" Self Tap Screws (2)
12	1/4"-20 Wing Nut (2)

POSITIONING AND RUNNING POWER LINES

ROOF MOUNTING

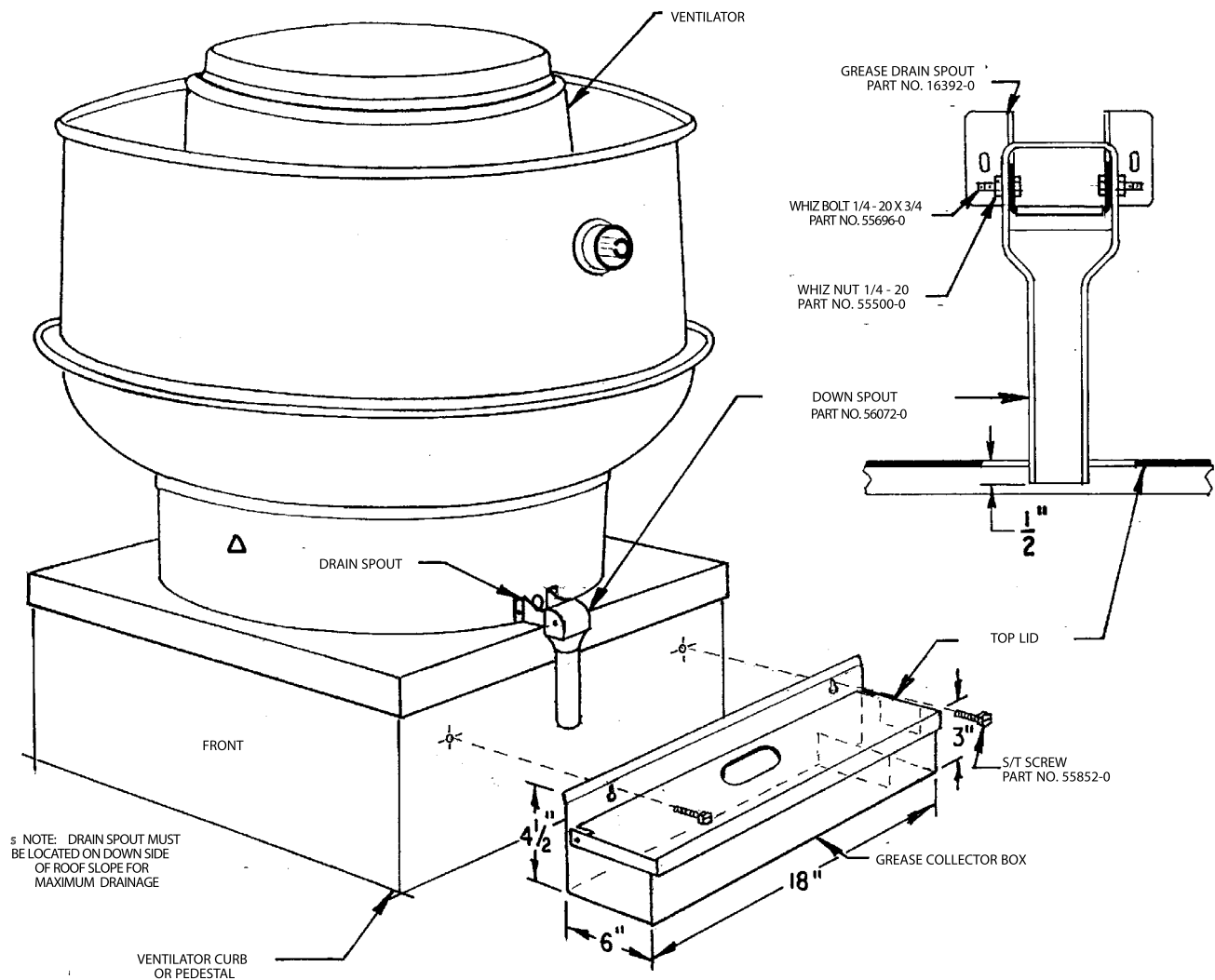
Power is normally brought from within the building through proper conduit lines and placed inside the curb. Feed power line through the clearance hole provided in the damper if furnished, if not clearance hole is provided, remove a corner of the lower damper (with a shear cutter or other instrument), through the ventilator to the service switch, if furnished, and motor. Feed power through the ventilator to the (Service Switch or Junction Box to) motor. Wiring can be brought through the cooling tube from the outside; this is the method to be used for NFPA96 and smoke control systems installations if an external service switch or junction box is not already provided.

WALL MOUNTING

Power is normally brought up from within the building through proper conduit lines to the wall opening, then fed to the (Service Switch or Junction Box to) motor. Wiring can be brought through the cooling tube from the outside; this is the method to be used for NFPA96 installations if an external service switch or junction box is not already provided.

INSTALLATION

Grease Collector Box Assembly



1. Attach Down Spout to Drain Spout with 2-1/4" bolts and nuts as detailed above.
2. Install Grease Collector Box to Ventilator Curb or Pedestal with s/m screws provided. Down Spout should pass through the hole in the Grease Collector Box Lid about 1/2".
3. If unit is hinged, hinge unit so it opens front to back.

INSTALLATION

Fumex Wall Mount Adapter Installation Instructions

1. Locate top side of adapter for each size listed below.

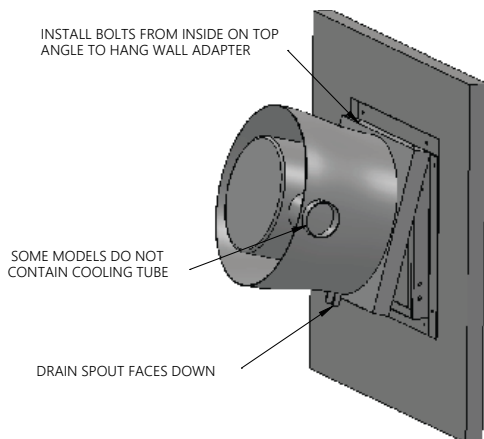


(FX8, 11, 13, and 16 DIRECT DRIVE)

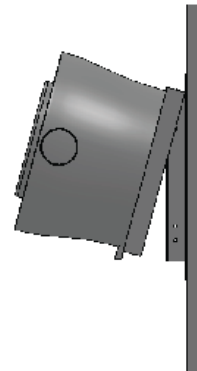


(ALL OTHER SIZES)

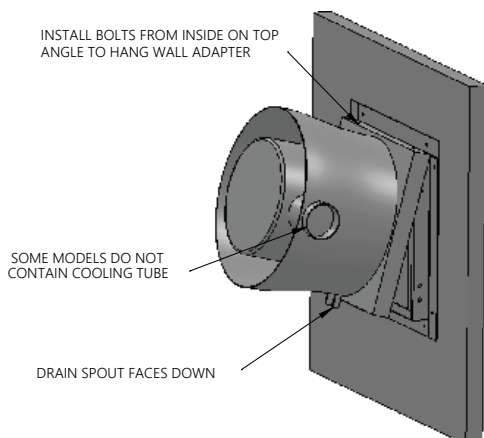
2. Install bolts threads up on top side.



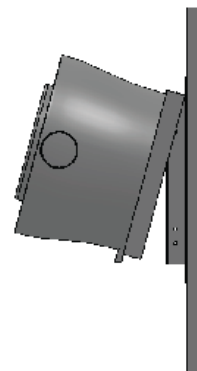
3. Apply gasket to surface as shown.



4. Attach adapter securely to wall (Fasteners not included. Depending on wall construction, this is to be attached at discretion of the installer.)



5. Hang fan from top bolts as shown; secure to wall adapter with remaining bolts.

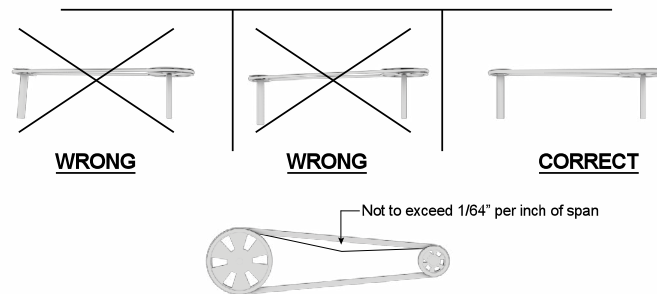


START-UP AND OPERATION

Carefully inspect the unit before startup. All motor bearings should be properly lubricated, and all fasteners should be securely tightened. Rotate centrifugal wheel by hand to ensure free movement. Before placing hand on centrifugal wheel or belts, lock out the power source. Check all set-screws and keys. Tighten when necessary. Check the condition of belts and the amount of tension prior to start-up. DO NOT overtighten, as bearing damage will occur.

Recommended belt tension should permit deflection of $1/64$ " per inch of span. Exercise extreme care when adjusting belts as not to misalign pulleys. Any misalignment will cause a sharp reduction in belt life and can produce excess belt noise. (see Figure 4). On units equipped with two groove pulleys, adjust all belts with equal tension. Belts must be adjusted after approx. 40 hours of operation.

Figure 4: Pulley Alignment & Tension



Whenever belts are removed or installed, never force belts over pulleys without loosening motor first to relieve belt tension.

Make sure inlets and approaches to the unit are free from obstruction. To ensure maximum air movement, make sure adequate supply air is available to ventilated space.

When power lines are brought up to the unit, provide a generous amount of slack to allow for motor adjustments and to permit movement of motor for belt tension adjustments. Ground motor adequately and securely. Protect power lines from sharp objects. Do not kink power line or permit it to contact hot surfaces, chemicals, grease or oil. Use only UL recognized electrical parts, rated for proper voltage, load and environment.

Before putting fan into operation, complete the following checklist:

- a. Turn off and LOCK OUT the power source.
- b. Make sure installation is in accordance with manufacturer's instructions.
- c. Check and tighten all fasteners.
- d. Spin centrifugal wheel to see if rotation is free.
- e. Check all set-screws and keys; tighten if necessary.
- f. Torqued set-screws have a colored Torque Seal mark indicating the correct torque has been applied
- g. Check belt or direct drive coupling for alignment
- h. Check belt for proper belt tension
- i. Make sure there is no foreign or loose material in ductwork leading to and from fan or in the fan itself.
- j. Properly secure all safety guards.
- k. Secure all access doors to fan and ductwork.
- l. Check line voltage with motor nameplate.
- m. Check wiring.

START-UP AND OPERATION



On single phase motors, the terminal block must be set up in accordance with the nameplate instructions and/or wiring diagram. This set up must match the line voltage. If the motor is multi-speed or multi-voltage, the winding leads must be grouped and connected as shown on the motor wiring diagram. The line voltage must correspond with proper grouping of motor leads. The wiring diagram must be followed explicitly, or serious motor or starter damage will occur.

Do not operate models from line frequencies higher than 60Hz + or -5% with standard motors.

The ventilator has been checked at the factory prior to shipment for mechanical noises. If mechanical noises should develop:

- a. Check rotating component for adequate clearance and direction of rotation. See page 6 for the wheel alignment procedure. See top of plate for wheel direction.
- b. Check proper belt tension and pulley alignment.
- c. Check installation and anchoring.
- d. Check fan bearings.
- e. Check that cooling tube is in place and well sealed.



Incorrect rotation overloads motor severely and results in serious motor damage. To change rotation of three phase units, interchange any 2 of the 3 line leads. On single phase units, change the terminal block set-up following the wiring diagram on the motor.

- f. Check motor and bearing temperature for excessive heat.



Use care when touching the exterior of an operating motor. Modern motors normally run hot. They are designed to operate at higher temperatures. This is a normal condition, but they may be hot enough to be painful or injurious to the touch.

If any problem is indicated, **TURN OFF POWER TO UNIT IMMEDIATELY**. Lock out the electrical supply, check carefully for the cause of the trouble, and correct as needed. Even if the fan appears to be operating satisfactorily, shut down after a brief period and check all fasteners, set-screws and keys for tightness.

During the first eight (8) hours of operation, check the fan periodically for excessive vibration or noise. At this time, also check motor input current and motor bearing temperatures to ensure that they do not exceed manufacturer's recommendations. After eight hours of satisfactory operation, shut down the fan and lock out the electrical power to check the following items and adjust if necessary:

- a. All set-screws, keys and fasteners.
- b. Belt alignment.
- c. Belt tension.

MAINTENANCE

Do not attempt maintenance on the fan until the electrical supply has been completely disconnected. If a service switch has not been provided, remove all fuses from the circuit and lock the fuse panel so they cannot be accidentally replaced.

Lubrication is a primary maintenance responsibility. Check all bearings periodically. Inspect belts for tightness. If the fan is installed in a corrosive or dirty atmosphere, periodically clean the centrifugal wheel, inlet, motor housing and other moving parts.

FAN SHAFT LUBRICATION

Fan shaft bearing pillow blocks are furnished in either the pre-lubricated sealed-for-life type or the greasable type. The pre-lubricated type requires no servicing for 7 to 10 years of normal use. Follow the lubricating schedule recommended by the factory. This practice should not supersede any safety considerations.



Use low pressure grease guns only. High pressure guns tend to blow out or unseat bearing seals, leaving the bearing open to collect grime, dust and foreign particles.

LUBRICATION SCHEDULE

Always follow the bearing manufacturer's recommended lubrication schedule. If none is available, use the following general schedule:

- Under average conditions where ambient temperatures do not exceed 120°F, lubrication is required 1 to 2 times a year.
- In dirt laden atmospheres where there is a temperature range of 120°F to 150°F, lubrication is required from 3 to 6 times a year.
- Under extreme temperature conditions and extremely dirty atmospheres, lubrication should be scheduled at least once or twice a month.
- Belt drive units maximum temperature should not exceed 160°F. Direct driven models have temperature range stamped on motor.

MOTOR LUBRICATION

In general, standard motors are furnished with prelubricated, sealed-for-life ball bearings which require no lubrication for 7 to 10 years of normal service. Where motors have been ordered with greasable bearings, these bearings are factory lubricated and require no attention for one year under normal conditions. If grease relief fittings are provided, remove them when performing maintenance to allow grease to flow out. Whenever possible, apply grease while the motor is running. This practice should not supersede any safety considerations. **DO NOT OVERGREASE**, as most lubricants deteriorate motor windings, thereby reducing motor life.

Table 3: Recommended Lubricants

Manufacturer	Product	Temp. Range
BP	LG-#P-1	Below 32°F (0°C)
Gulf	Gulfcrown EP-1	
Imperial Oil	Unirex EP-1	
Shell	Alvania R-1	
BP	Energrease, MPMK11	32°F to 150°F (0°C to 66°C)
Gulf	Gulfcrown EP-2	
Imperial Oil	Unirex EP-2	
Shell	Alvania R-3	
Sun Oil	Sun Prestige 42	
Texaco	Regal AFB2	

MAINTENANCE

Guards

All fans have moving parts which require guarding in the same way as other moving machinery.

Where the fan is accessible to untrained personnel or the general public, use maximum safety guards, even at the cost of some performance loss. Unprotected fans located less than 7' above the floor also require guarding as specified in the Occupational Safety and Health Act (OSHA). PennBarry strongly recommends the use of guards on all exposed nonducted fans, ceiling and wall mounted.

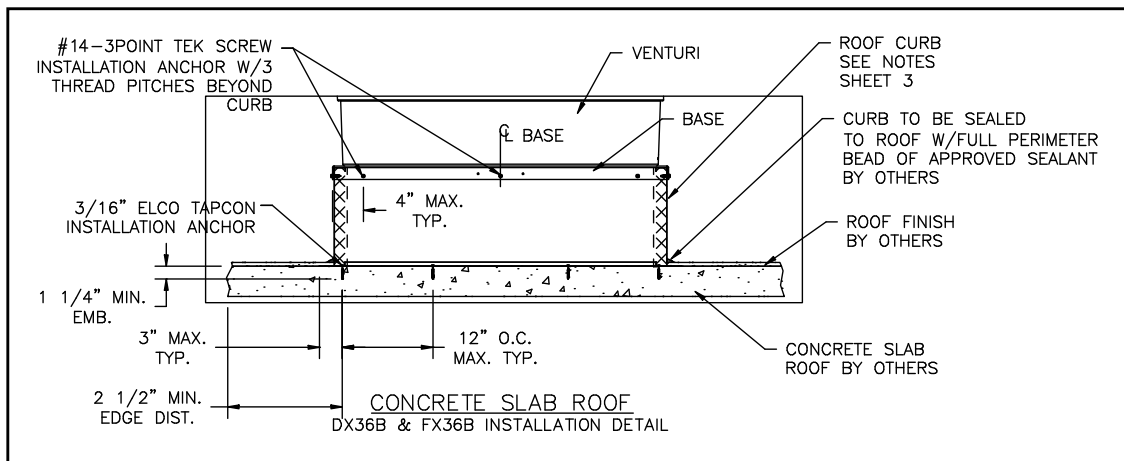
Centrifugal fans may be connected directly to ductwork which will prevent contact with the internal moving parts, but when the inlet or outlet is exposed, install a suitable guard.

Replacement Parts

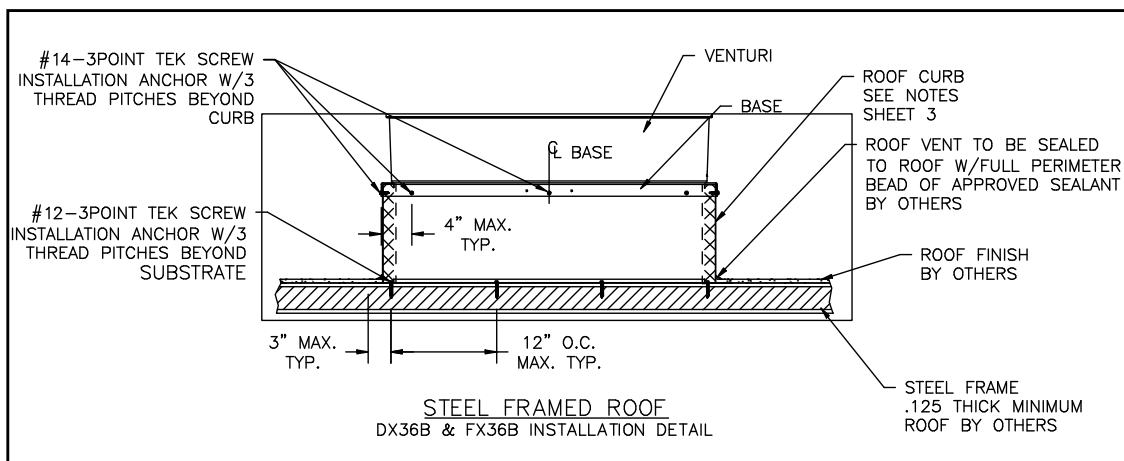
Replace parts with components which duplicate original parts correctly. Incorrectly sized shafts, belts, pulleys, etc. can damage the fan.

Spare or replacement parts and prices are available upon request. Please supply the following information: Factory Order Number, Customer's Name and Order Number, and Date. If this information is not available, furnish a complete description of the part required. Names of parts are shown on page 7. To order motors, provide the HP, RPM, voltage, phase, hertz and type of enclosure.

Typical Concrete Slab Roof Installation

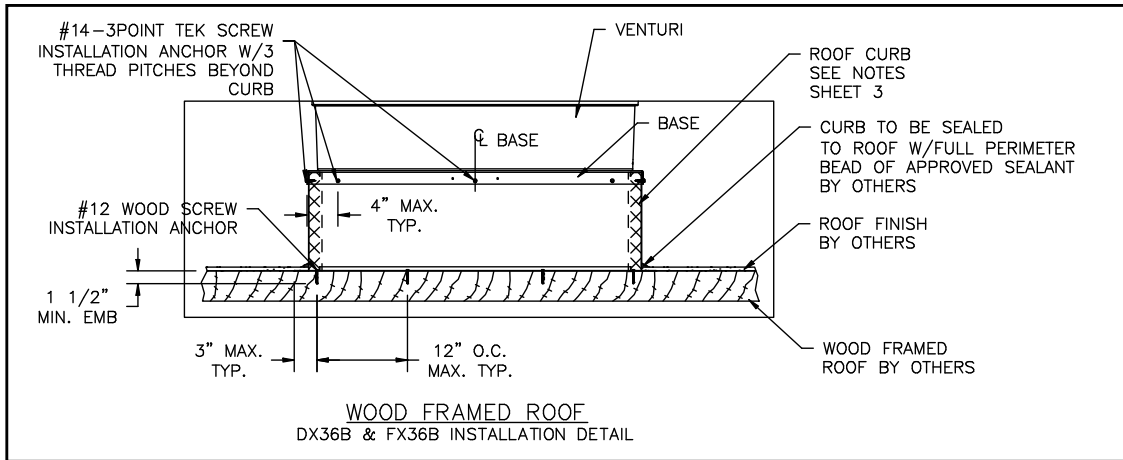


Typical Steel Framed Roof Installation



MAINTENANCE

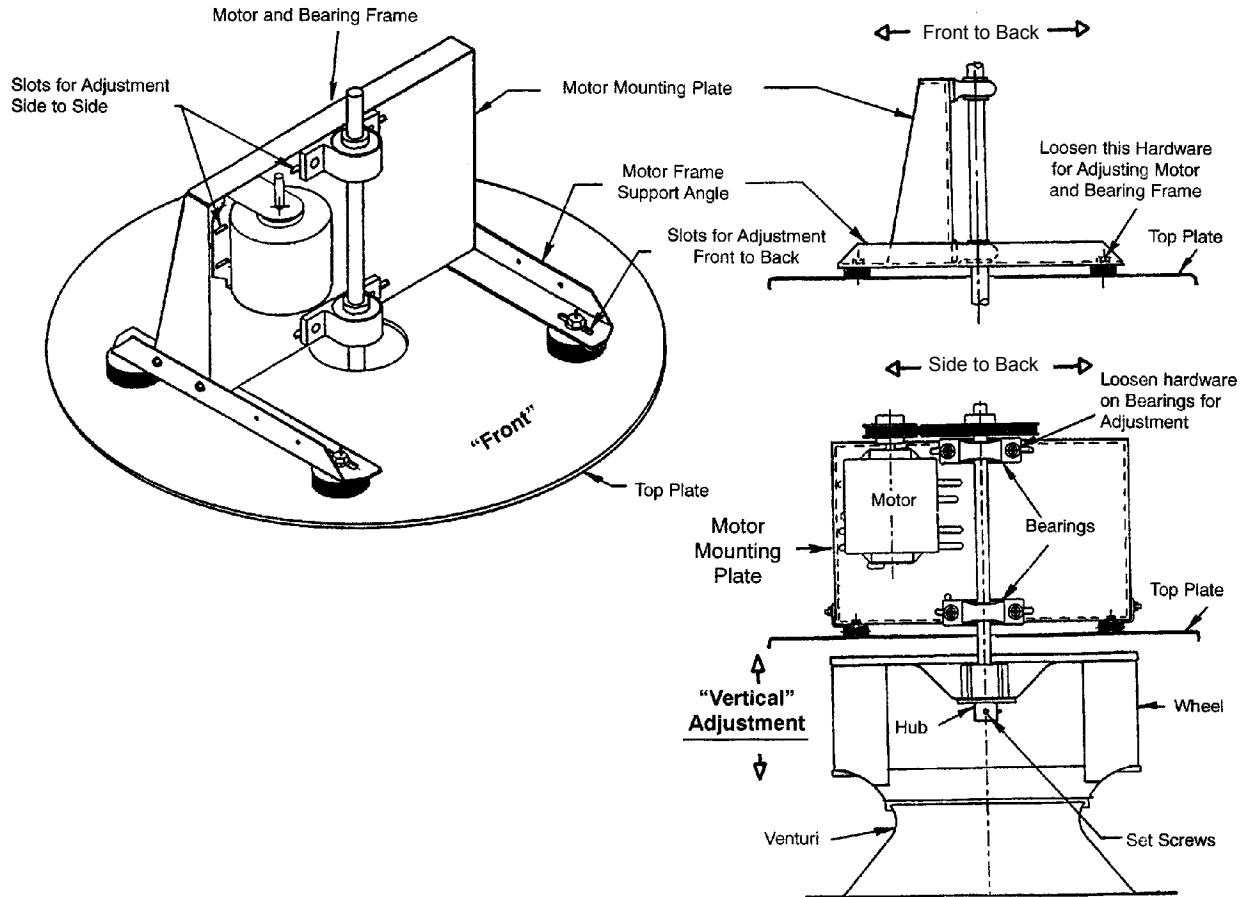
Typical Wood Framed Roof Installation



Installation Notes: All four sides of curb and base are anchored identically.
Curb Notes: 18 gauge galvanized steel minimum, maximum height 18"

WHEEL ALIGNMENT PROCEDURES

Figure 5: Wheel Alignment



The wheel position is preset at factory and must rotate freely. However, movement may occur due to rough handling prior to installation, and realignment may be necessary. If field correction is required, follow these procedures:

1. If "Front to Back" adjustment is required, loosen both motor frame support angles (four nuts), relocate frame, and retighten.
2. If "Side to Side" adjustment is required, loosen both bearings (four nuts), relocate, and retighten.
3. If "Vertical" adjustment is required, loosen both set screws on the wheel hub (accessible from the bottom side of the unit), raise or lower the wheel, and retighten.

TROUBLESHOOTING CHECKLIST

Symptom	Possible Cause(s)	Corrective Action
Excessive noise	1. Defective or loose motor bearings	1. Replace motor with same frame size, RPM, HP
	2. Ventilator base not securely anchored	2. Reset properly
	3. Loose or unbalanced wheel/propeller	3. Tighten screws, remove build-up, balance wheel/propeller
	4. Misaligned pulleys or shaft	4. correct alignment
	5. Loose or damaged wheel/propeller	4. Replace wheel/propeller
	6. Wheel running in wrong direction	6. Reverse direction
Fan Inoperative	1. Blown fuse or open circuit breaker	1. Replace fuses or circuit breaker
	2. Loose or disconnected wiring	2. Shut off power and check wiring for proper connections
	3. Defective motor	3. Repair or replace motor
	4. Broken belts	4. Replace belts
Insufficient Airflow	1. Open access doors or loose sections of ducts	1. Check for leakage
	2. Clogged filters	2. Clean or replace filters
	3. Operation in wrong direction	3. Correct rotation of wheel
	4. Insufficient make-up air direction	4. Add make-up fan or louver opening
	5. Fan speed too low	5. Speed fan up by adjusting variable pitch pulley on motor shaft
Water leaking into ductwork or collection of grease under fan	1. Fan installed with slope in the wrong direction	1. Slope should be fitted in the direction of the drainage opening or grease collection box and drain spout
	2. Clogged drain spout	2. Clean drain spout
	3. Cooling tube or motor dome top removed	3. Install new cooling tube with gasket and dome top
	4. Grease container full	4. Empty grease box
Motor overheating	1. Belt slippage	1. Adjust tension or replace bad belts
	2. Overvoltage or under voltage	2. Contact power supply company
	3. Operation in wrong direction	3. Reverse direction of motor
	4. Slow down fan by opening variable pitch	4. Fan speed too high pulley on motor shaft
	5. Incorrect motor (service factor 1.0, low ambient temperature)	5. Replace motor with correct one, NEMA service factors (1.15 or higher) with 40 degrees ambient
	6. Blocked cooling tube or leaky gasket	6. Remove blockage and seal cooling tube in place
	7. Insufficient airflow to kitchen hood fan operating on low speed with kitchen in full operation.	7. Check airflow under hood and adjust kitchen equipment output
	8. Undersized motor	8. Check motor ratings with catalog speed and air capacity chart

Note: Care should be taken to follow all local electrical, safety and building codes. Provisions of the National Electric Code (NEC) as well as the Occupational Safety and Health Act (OSHA) should be followed.

All motors are checked prior to shipment. If motor defects should develop, prompt service can be obtained from the nearest authorized service station of the motor manufacturer while under warranty. Exchange, repair or replacement will be provided on a no charge basis if the motor is defective within the warranty period. The PennBarry representative in your area will provide a name and address of an authorized service station if requested. **WARNING:** Motor guarantee is void unless overload protection is provided in motor wiring circuit.

PARTS LISTS & DIMENSIONS

Direct Drive

Figure 6: FX08RS, 10RS, 11RS, 11Q

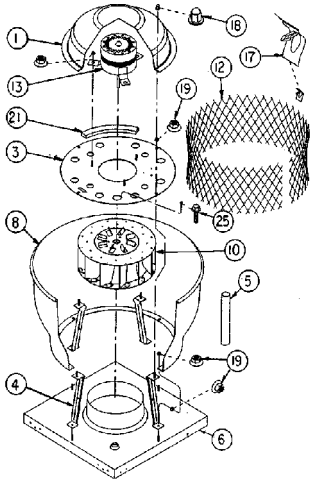


Figure 7: FX13RSV, 13Q

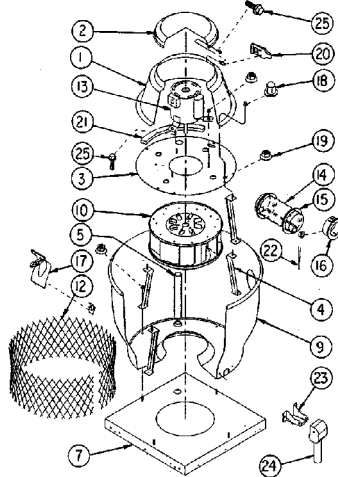
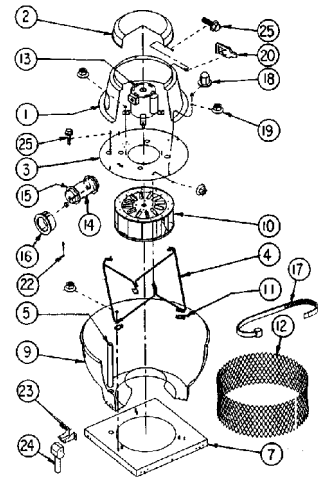


Figure 8: FX16RSV, Q1, Q2



Direct Drive Parts List

1. Hood Apron	6. Base Venturi	11. Wire Clip	16. Bushing	21. Gasket
2. Hood Top	7. Base (Round for WFX)	12. Screen (Optional)	17. Screen Clip	22. Cotter Pin
3. Top Plate	8. Discharge Apron	13. Motor	18. Acorn Nut	23. Drain Spout
4. Brace	9. Apron Venturi	14. Cooling Tube	19. 1/4 - 20 Nut	24. Down Spout
5. Conduit Pipe	10. Wheel	15. Clg. Tube Gasket	20. Clip	

Part	Description
1	Wind Band (2 pcs. FMX50B)
2	Discharge Apron
3	Cooling Tube
4	Cooling Tube Gaskets
5	Motor Hood Lid
6	Motor Hood
7	Motor & Bearing Frame
8	Anti-Vibration Mounts
9	Top Plate
10	Bird Guard (Optional)
11	Support Wires
12	Support Wire Mounting Clips
13	Conduit Guide
14	Venturi
15	Base (Round for WFX)
16	Fan Pulley
17	Belt
18	Motor Pulley
19	Motor
20	Bearings
21	Shaft
22	Centrifugal Wheel
23	Main Fastening Braces

Figure 6: FX08RS, 10RS, 11RS, 11Q

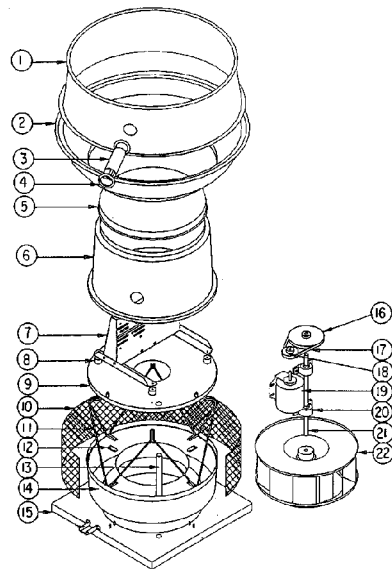
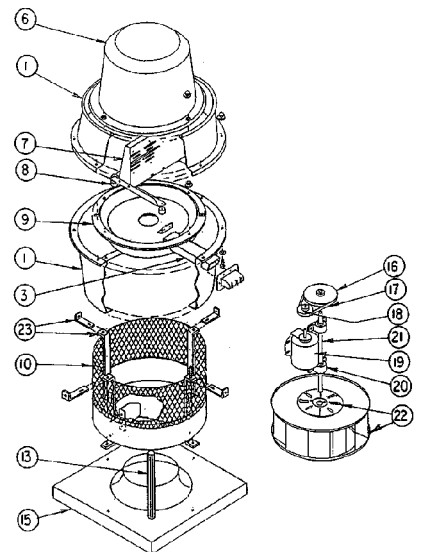


Figure 7: FX13RSV, 13Q



	Direct Drive Models					Belt Drive Models										
Fan Size	8	10	11	13	16	08B	10B	12B	13B(H)	14B	16B	18B(H)	24B(H)	30B	36B	50B
Base Dimensions	18.5	18.5	18.5	18.5	20.5	24.75	24.75	24.75	24.75	24.75	28.5	28.5	33.5	36.5	44.5	59

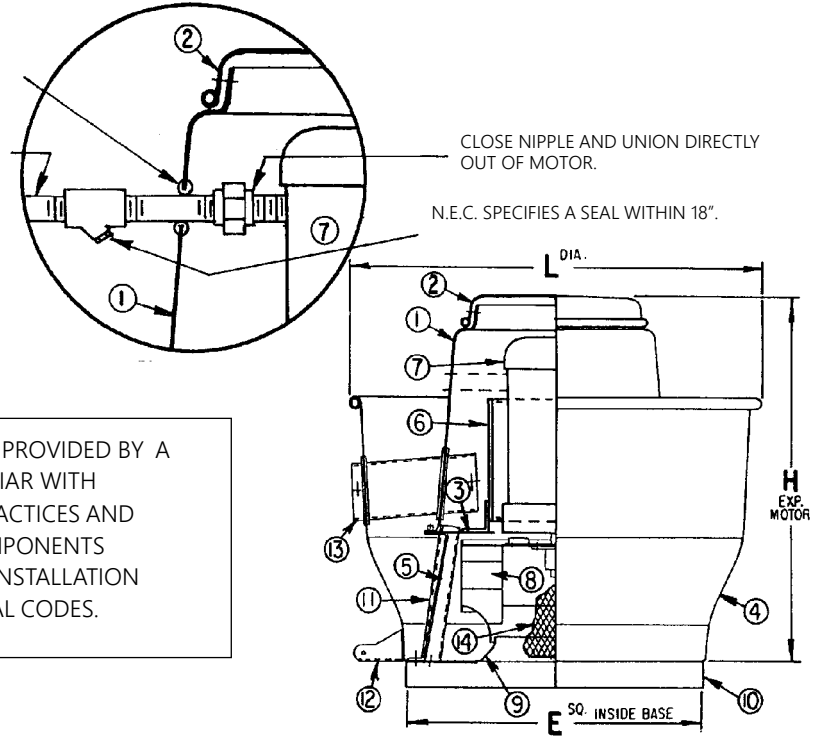
All dimensions are in inches. "E" - (outside curb dimension should be 1" smaller than inside fan base dimension)

DIRECT DRIVE - EXPLOSION PROOF MOTOR

Spun Aluminum Centrifugal Roof Exhauster

PUNCH OR DRILL HOLE FOR CONDUIT PATH. HOLE MUST BE SEALED OR CAULKED TO PREVENT WATER ENTRY.

RIGID CONDUIT OR I.M.C. (INTERMEDIATE METAL CONDUIT) PER N.E.C. AND/OR LOCAL CODES. (BY OTHERS)



***NOTE - ALL WIRING MUST BE PROVIDED BY A LICENSED ELECTRICIAN FAMILIAR WITH EXPLOSION PROOF WIRING PRACTICES AND REGULATIONS, USING COMPONENTS APPROPRIATE TO THE SPECIFIC INSTALLATION AND N.E.C. AND/OR LOCAL CODES.**

Legend

1. Motor Dome	5. Structural Support Braces	9. Spun Venturi	13. Cooling Tube (Models FX13 and FX16)
2. Motor Hood Top (For Exp. Motor)	6. Motor Mounting Plate	10. Mounting Base	14. Aluminum Bird Screen (Optional)
3. Top Plate	7. Motor (Exp. Motor)	11. Conduit Guide (Not for Exp. Motor)	
4. Discharge Apron	8. Centrifugal Fan Wheel with Cooling Vanes	12. Drain Spout (Models FX13 and FX16)	

Dimensional Data

	FX08Q	FX10Q	FX11Q	FX13Q	FX16Q
L ^{DIA.}	25	25	25	25 1/2	30 1/2
H ^{EXP. MOTOR}	18	19	19	19	26 7/16
E ^{†SQ.}	18 1/2	18 1/2	18 1/2	18 1/2	20 1/2
Ro ^{SQ.}	9	11 1/2	11 1/2	11 1/2	16 1/4

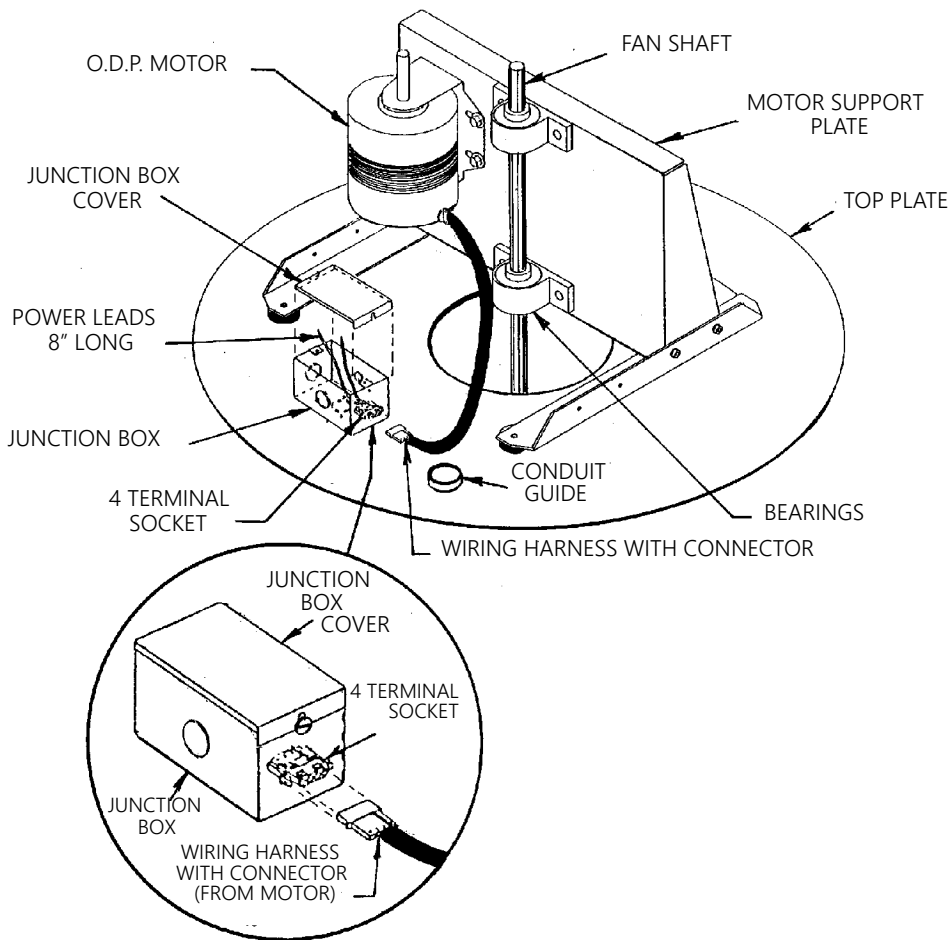
† Outside dimension of curb should be 1 1/2" less than 'E' dimension
All dimensions in inches.

Material: Spun Aluminum Housing

This drawing illustrates our understanding of order requirements. When approved, it represents details for fabrication, as such, PennBarry will not be responsible for revisions in the field or other changes after release for fabrication. Published and protected by PennBarry, Richardson, TX. All rights reserved. May not be reproduced partially or in full without permission from the publisher. No rights conveyed to manufacture partially or in full, use, or sell either the method of construction represented or any invention in any way related thereto. Spun Aluminum Centrifugal Roof Exhauster

WIRING HARNESS - DISCONNECT DEVICE

O.D.P. Motors (ITW Harness) 115/220 Single Phase



ELECTRICAL CONNECTIONS

Connect motor per nameplate to correct power supply. Install all wiring, protection and grounding in accordance with National Electrical Code and local requirements. Follow all local electrical and safety codes, as well as the National Electrical Code (NEC) and the Occupational Safety and Health Act (OSHA).

WIRING INSTRUCTIONS

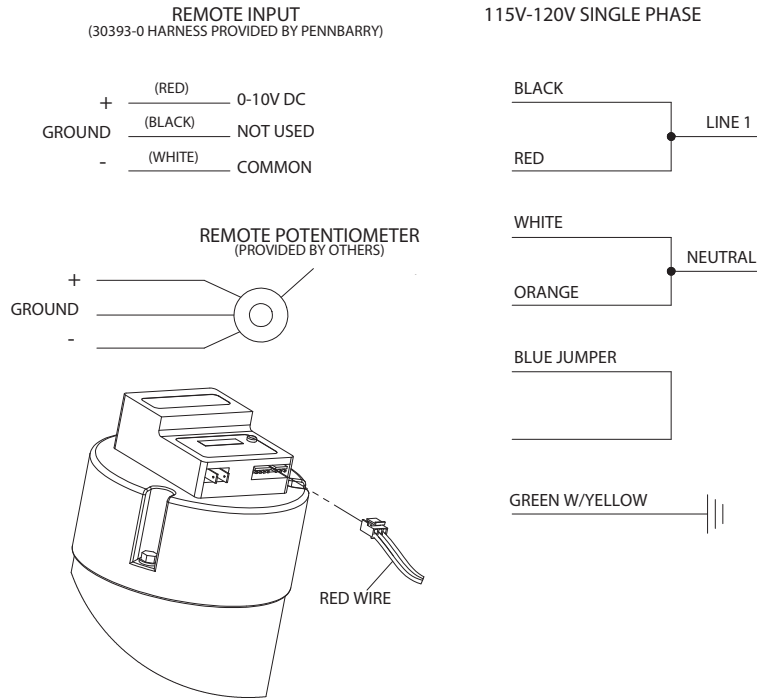
CAUTION: When bringing power lines up, power MUST be off.

1. Bring power lines up to motor compartment through conduit guide.
2. Remove junction box cover so that power leads are exposed.
3. Remove one knock-out, attach connector, and run power lines from source into junction box.
4. Terminal socket has two 8" long pigtails already stripped. Make connection to power lines using properly sized wire nuts and fold wires back into box.
5. Replace junction box cover and secure in place with screw.
6. Plug harness connector (from motor) into terminal socket at end of junction box. Unit is now ready to test.

This drawing illustrates our understanding of order requirements. When approved, it represents details for fabrication, as such, PennBarry will not be responsible for revisions in the field or other changes after release for fabrication. Published and protected by PennBarry, Plano, TX. All rights reserved. May not be reproduced partially or in full without permission from the publisher. No rights conveyed to manufacture partially or in full, use, or sell either the method of construction represented or any invention in any way related thereto.

WIRING HARNESS – ECM

1) O.D.P. Motors 120v Single Phase



OPERATION

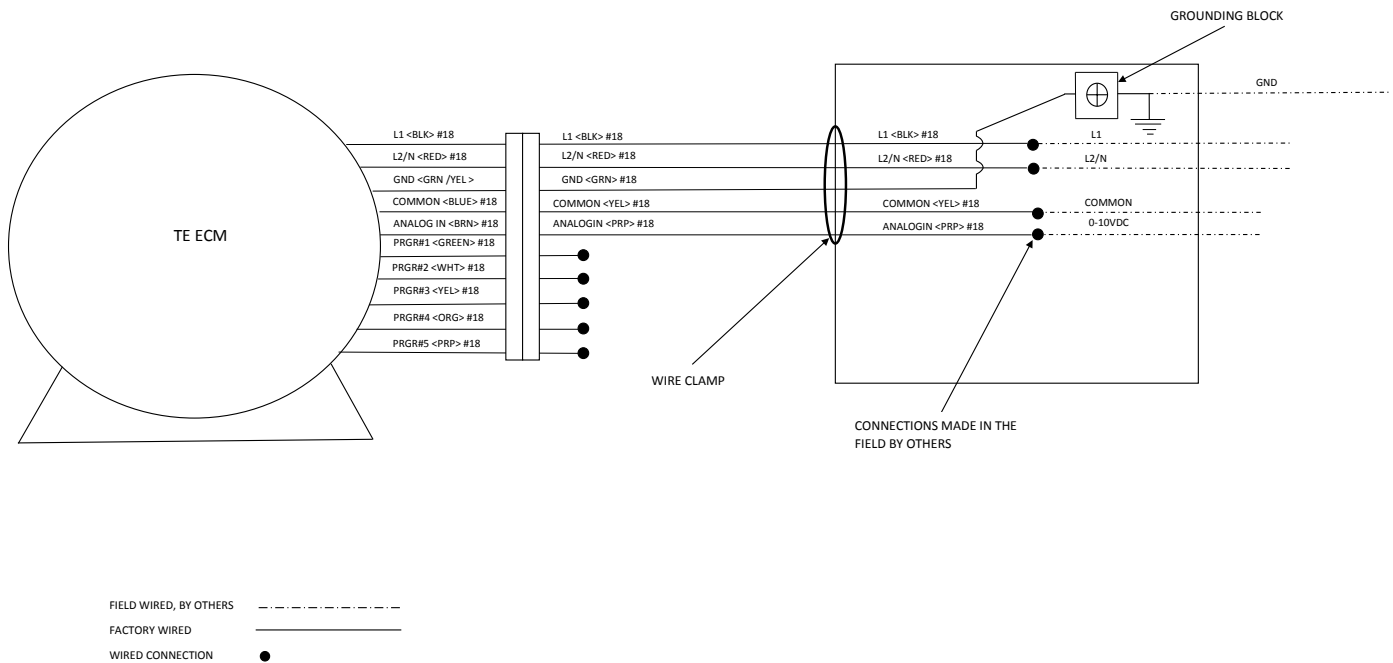
THE BLUE ON-BOARD SPEED ADJUST KNOB SETS THE MOTOR'S MINIMUM SPEED. THE EXTERNAL SIGNAL (0-10VDC OR POTENTIOMETER) CONTROLS THE REMAINING SPEED RANGE.

EXAMPLE: ON-BOARD SPEED ADJUST KNOB SET TO 25%. EXTERNAL SIGNAL CONTROLS REMAINING 75% OF MOTORS SPEED RANGE.

EXAMPLE: ON-BOARD SPEED ADJUST KNOB SET FULLY CCW (OFF). EXTERNAL SIGNAL CONTROLS ENTIRE MOTOR SPEED RANGE.

EXAMPLE: EXTERNAL SIGNAL REMOVED. ON-BOARD SPEED ADJUST KNOB CONTROLS ENTIRE MOTOR SPEED RANGE.

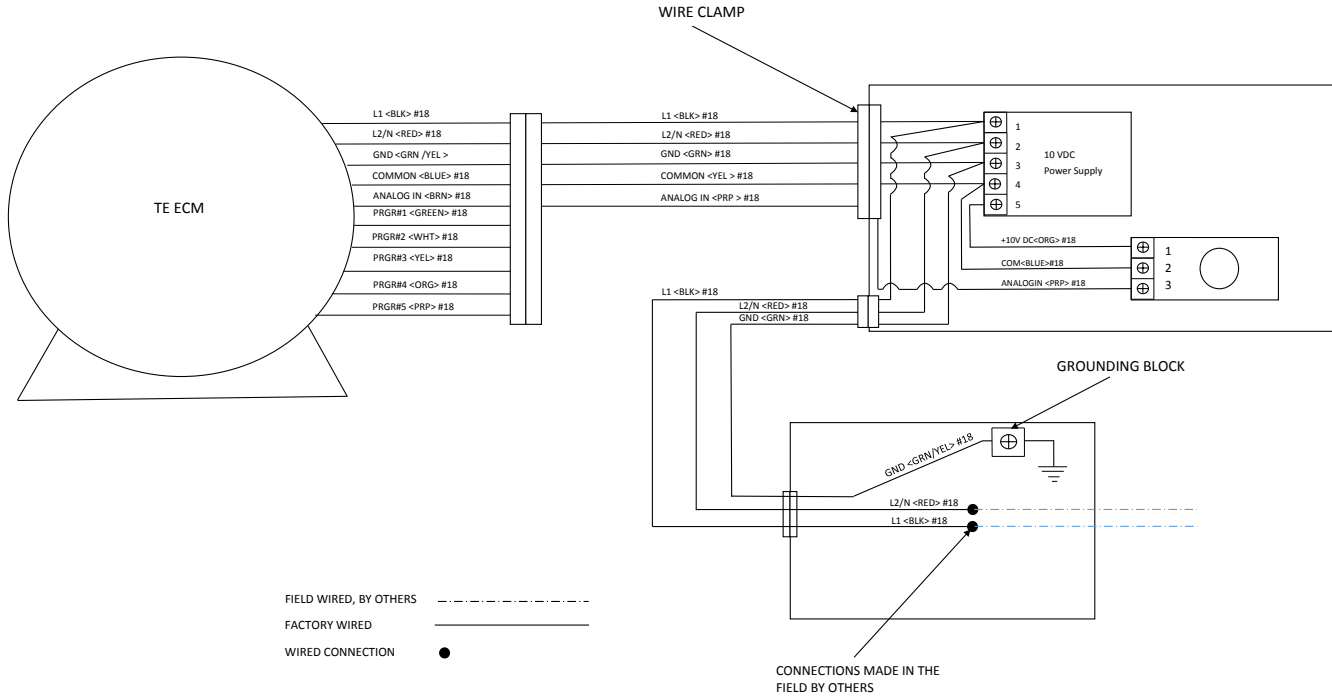
2) T.E. Motors 120v/240v/460v Single Phase (control provided by others)



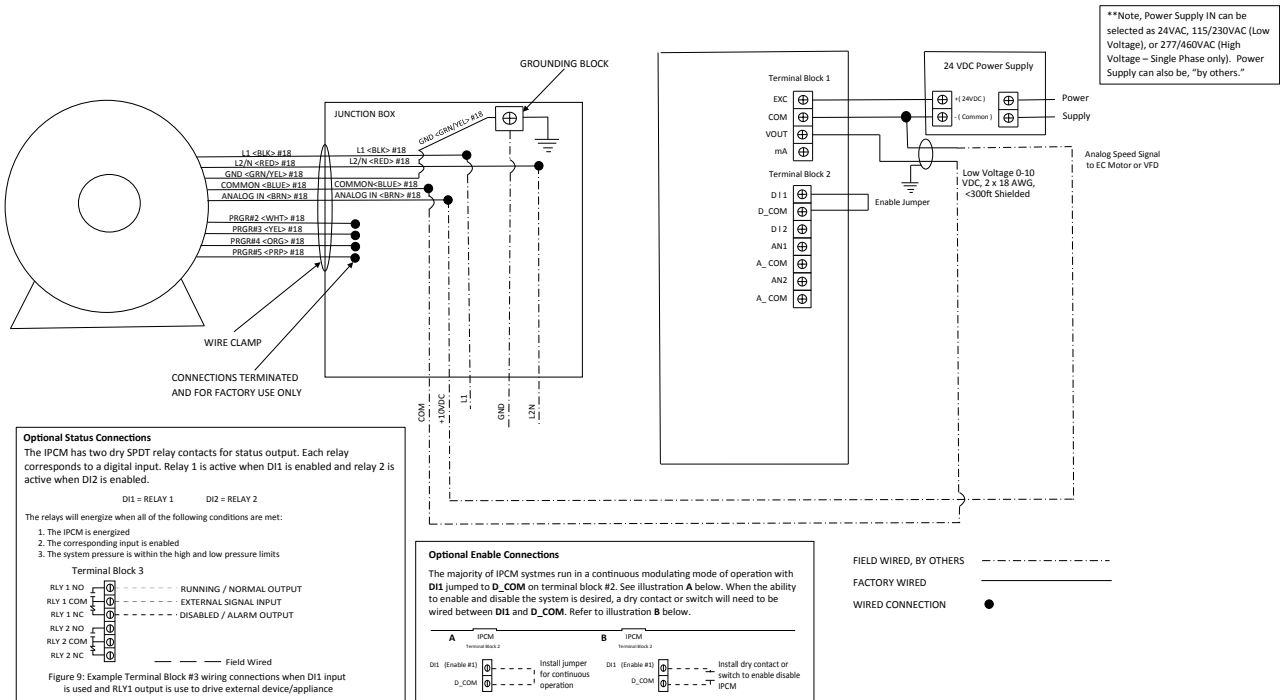
This drawing illustrates our understanding of order requirements. When approved, it represents details for fabrication, as such, PennBarry will not be responsible for revisions in the field or other changes after release for fabrication. Published and protected by PennBarry, Plano, TX. All rights reserved. May not be reproduced partially or in full without permission from the publisher. No rights conveyed to manufacture partially or in full, use or sell either the method of construction represented or any invention in any way related thereto.

WIRING HARNESS – ECM

3) T.E. Motors 120v/240v/460v Single Phase (0-10V output potentiometer)



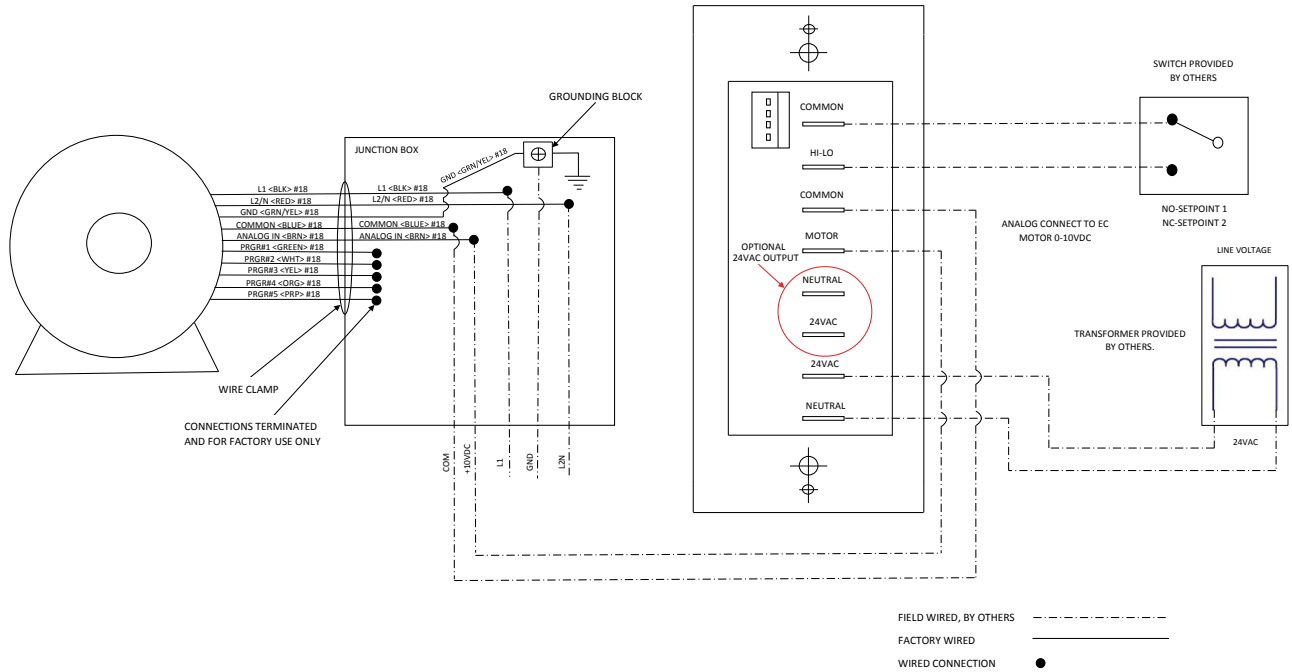
4) T.E. Motors 120v/240v/460v Single Phase (with iQ-IPCM controller)



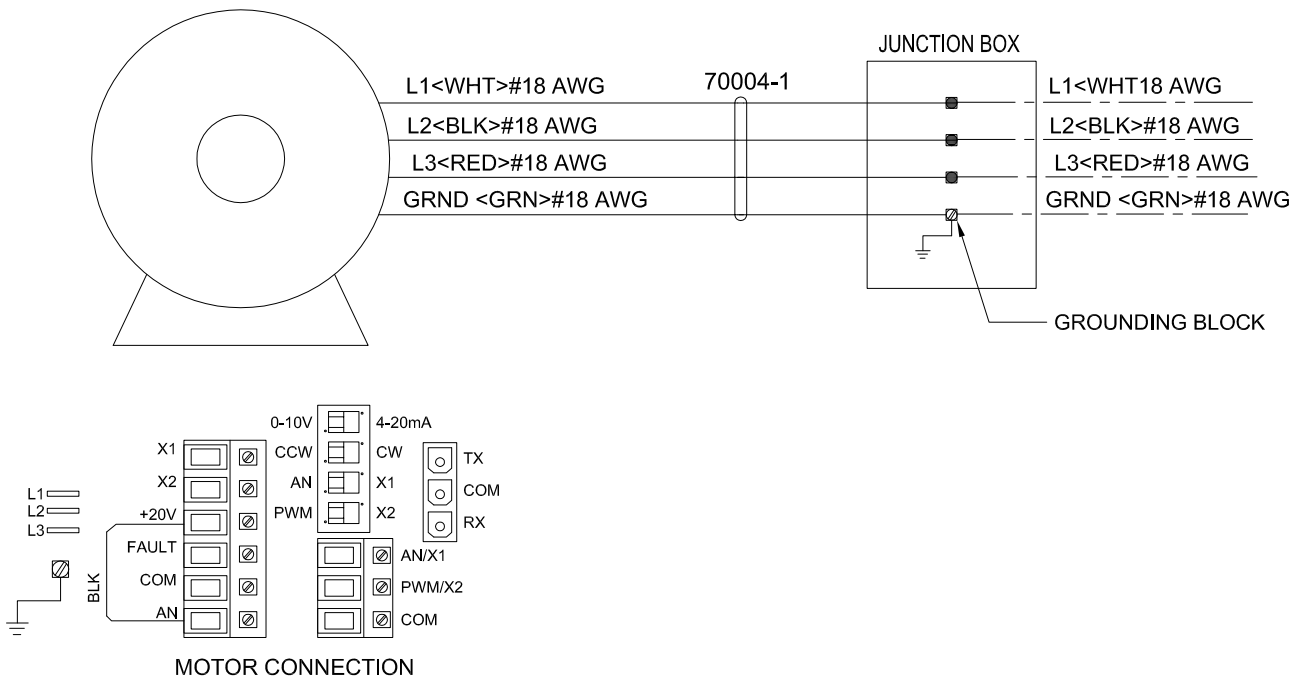
This drawing illustrates our understanding of order requirements. When approved, it represents details for fabrication, as such, PennBarry will not be responsible for revisions in the field or other changes after release for fabrication. Published and protected by PennBarry, Plano, TX. All rights reserved. May not be reproduced partially or in full without permission from the publisher. No rights conveyed to manufacture partially or in full, use or sell either the method of construction represented or any invention in any way related thereto.

WIRING HARNESS – ECM

5) T.E. Motors 120v/240v/460v Single Phase (with iQ-MS controller)



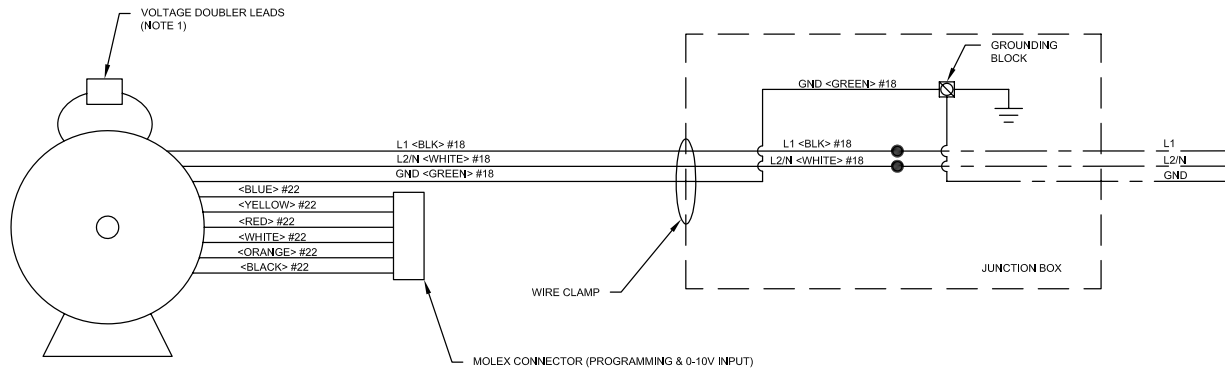
6) T.E. Motors 208v/460v Three Phase



This drawing illustrates our understanding of order requirements. When approved, it represents details for fabrication, as such, PennBarry will not be responsible for revisions in the field or other changes after release for fabrication. Published and protected by PennBarry, Plano, TX. All rights reserved. May not be reproduced partially or in full without permission from the publisher. No rights conveyed to manufacture partially or in full, use or sell either the method of construction represented or any invention in any way related thereto.

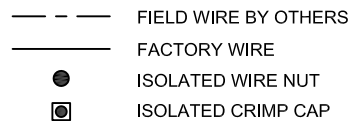
WIRING SCHEMATICS - ECM

7) ODP motors 120v/208v-230v/277v single phase

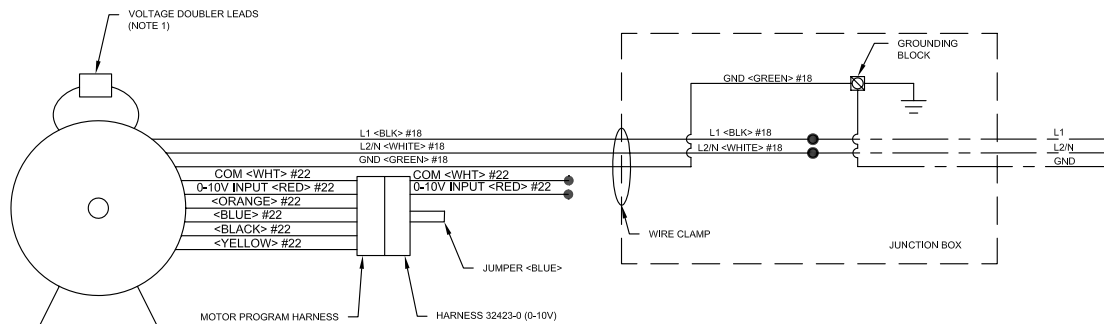


NOTES:

- VOLTAGE DOUBLER LEADS TO BE CONNECTED ONLY FOR 120V. MUST BE DISCONNECTED WHEN 208-277V IS USED.

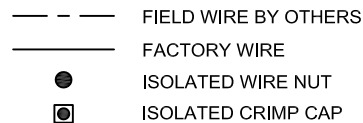


8) ODP motors 120v/208v-230v/277v single phase with external signal harness



NOTES:

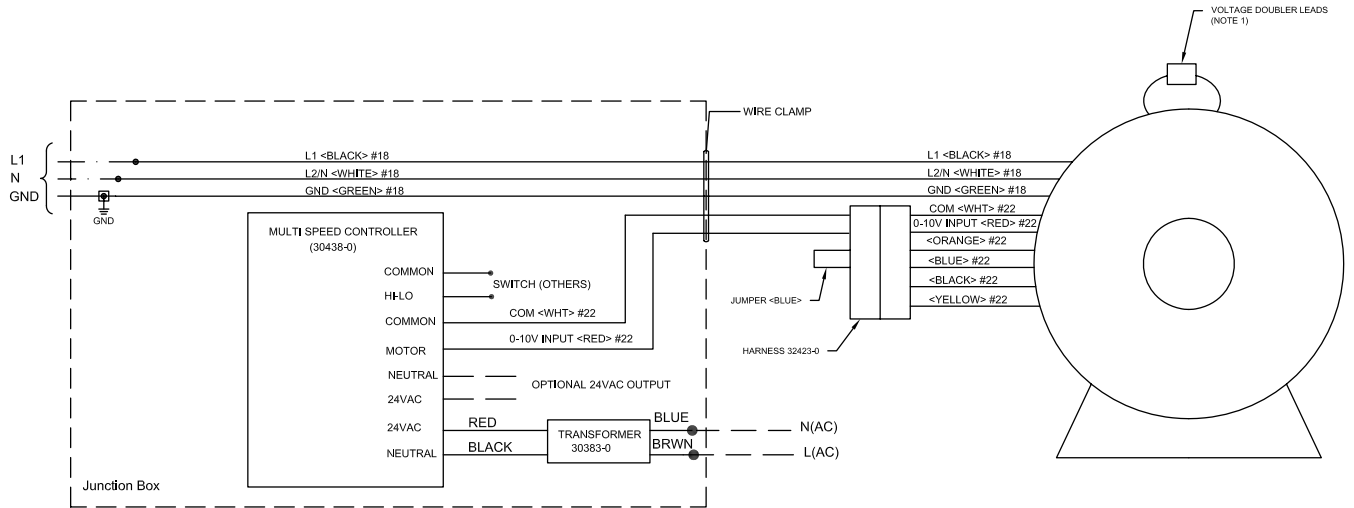
- VOLTAGE DOUBLER LEADS TO BE CONNECTED ONLY FOR 120V. MUST BE DISCONNECTED WHEN 208-277V IS USED.



This drawing illustrates our understanding of order requirements. When approved, it represents details for fabrication, as such, PennBarry will not be responsible for revisions in the field or other changes after release for fabrication. Published and protected by PennBarry, Plano, TX. All rights reserved. May not be reproduced partially or in full without permission from the publisher. No rights conveyed to manufacture partially or in full, use or sell either the method of construction represented or any invention in any way related thereto.

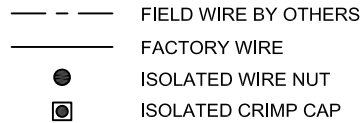
WIRING SCHEMATICS - ECM

9) ODP motors 120v/208v-230v/277v single phase (with installed iQ-MS controller)



NOTES:

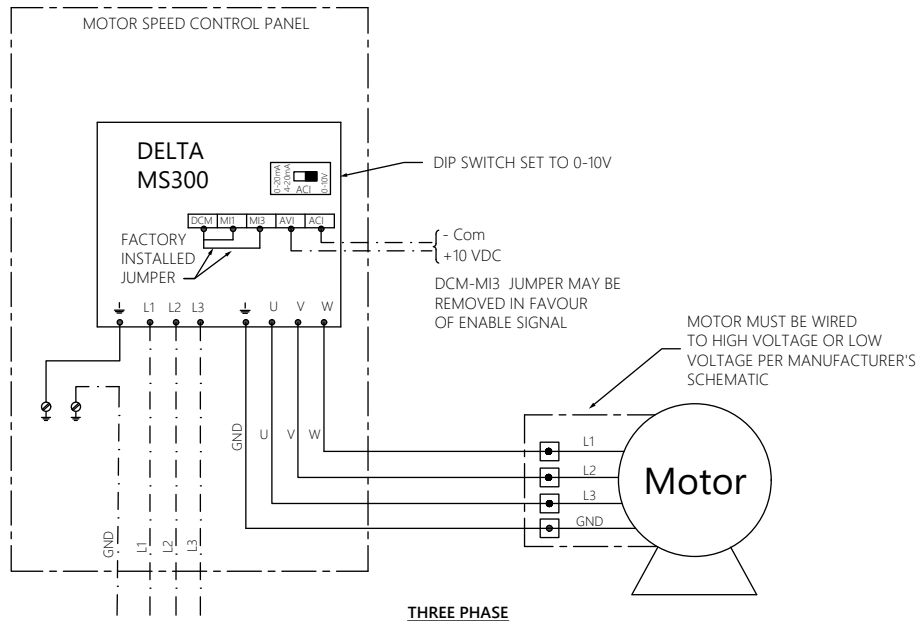
- VOLTAGE DOUBLER LEADS TO BE CONNECTED ONLY FOR 120V. MUST BE DISCONNECTED WHEN 208-277V IS USED.



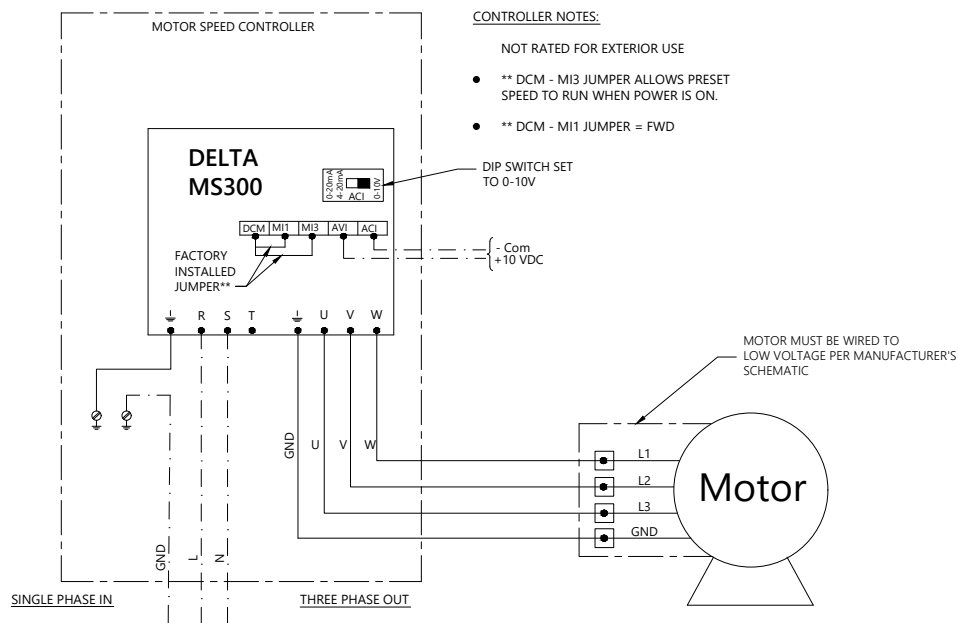
This drawing illustrates our understanding of order requirements. When approved, it represents details for fabrication, as such, PennBarry will not be responsible for revisions in the field or other changes after release for fabrication. Published and protected by PennBarry, Plano, TX. All rights reserved. May not be reproduced partially or in full without permission from the publisher. No rights conveyed to manufacture partially or in full, use or sell either the method of construction represented or any invention in any way related thereto.

WIRING – PM/AC MOTOR WITH SPEED CONTROLLER/VFD

10) Speed Controller with Three Phase Motor - No Service Switch



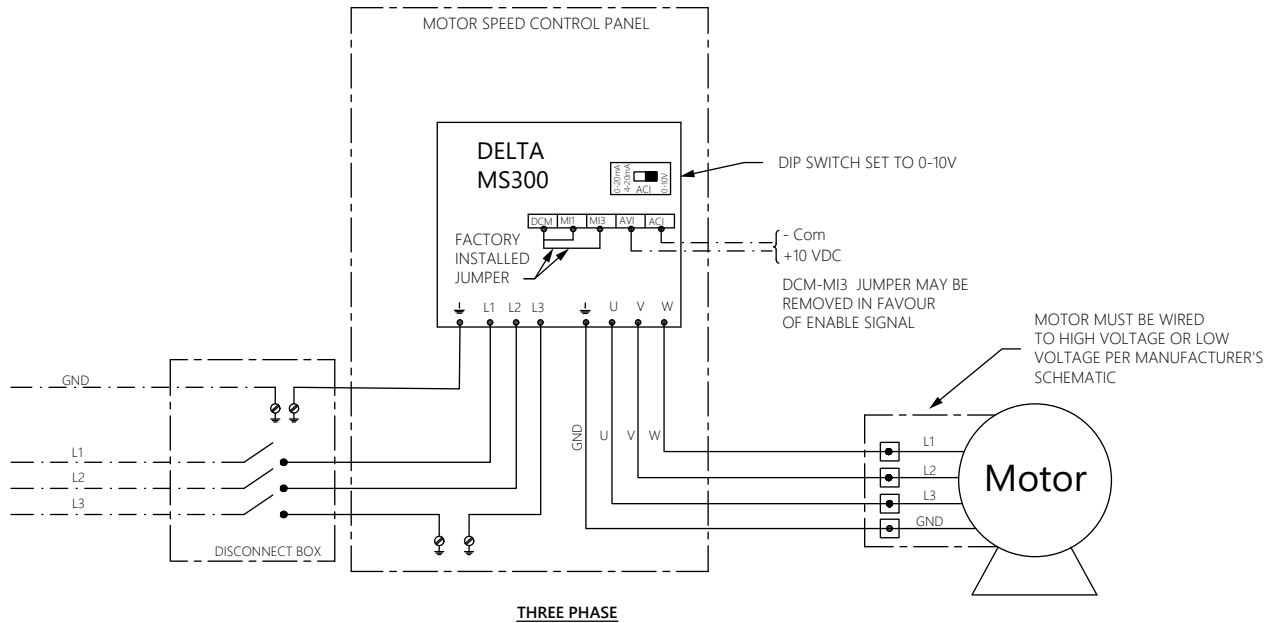
11) Speed Controller with Single Phase Motor - No Service Switch



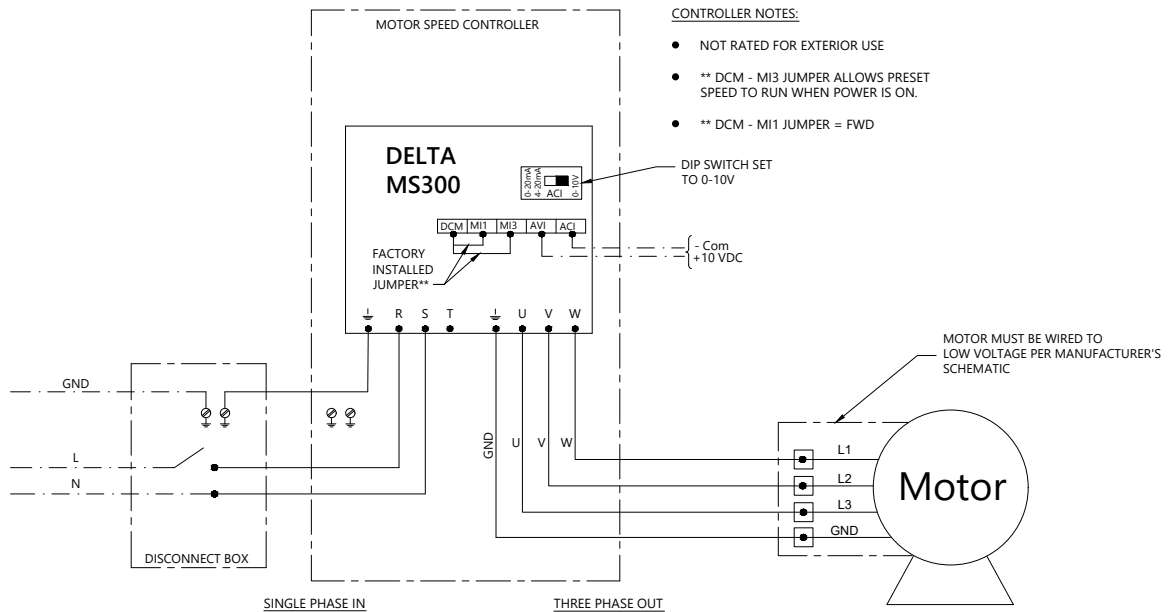
This drawing illustrates our understanding of order requirements. When approved, it represents details for fabrication, as such, PennBarry will not be responsible for revisions in the field or other changes after release for fabrication. Published and protected by PennBarry, Plano, TX. All rights reserved. May not be reproduced partially or in full without permission from the publisher. No rights conveyed to manufacture partially or in full, use or sell either the method of construction represented or any invention in any way related thereto.

WIRING – PM/AC MOTOR WITH SPEED CONTROLLER/VFD

12) Speed Controller with Three Phase Motor - With Service Switch



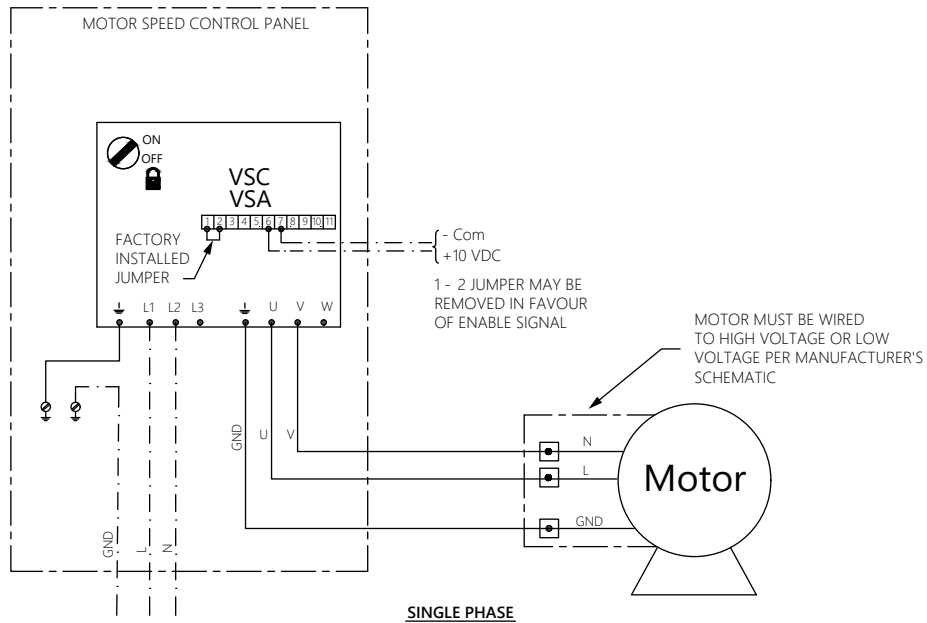
13) Speed Controller with Single Phase Input / 3 Phase Motor - With Service Switch



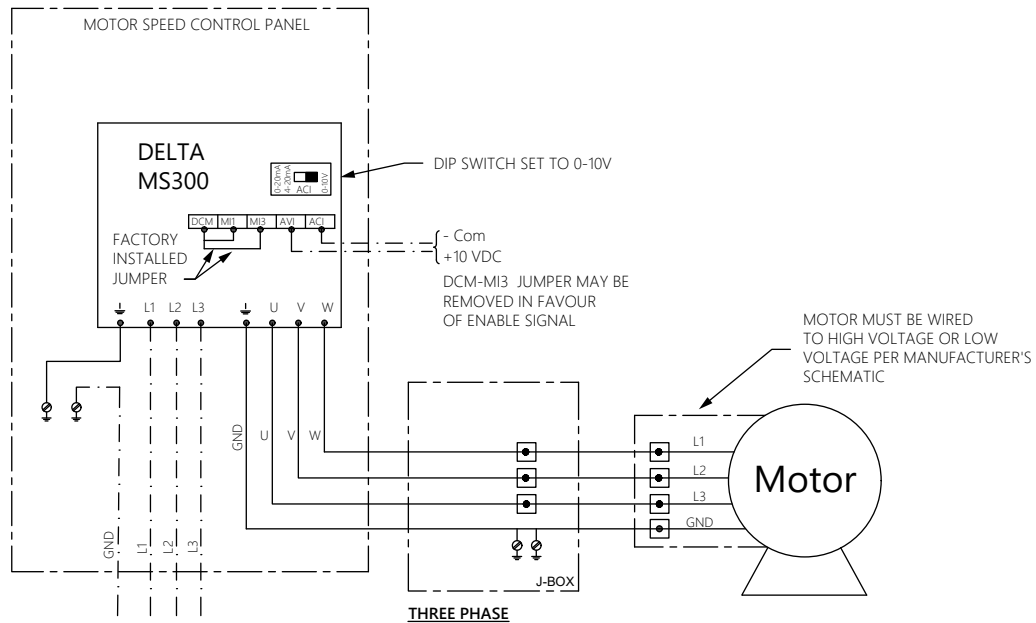
This drawing illustrates our understanding of order requirements. When approved, it represents details for fabrication, as such, PennBarry will not be responsible for revisions in the field or other changes after release for fabrication. Published and protected by PennBarry, Plano, TX. All rights reserved. May not be reproduced partially or in full without permission from the publisher. No rights conveyed to manufacture partially or in full, use or sell either the method of construction represented or any invention in any way related thereto.

WIRING – PM/AC MOTOR WITH SPEED CONTROLLER/VFD

14) VFD with Single Phase Motor - No Service Switch



15) Speed Controller with Three Phase Motor - No Service Switch with J-Box installed



This drawing illustrates our understanding of order requirements. When approved, it represents details for fabrication, as such, PennBarry will not be responsible for revisions in the field or other changes after release for fabrication. Published and protected by PennBarry, Plano, TX. All rights reserved. May not be reproduced partially or in full without permission from the publisher. No rights conveyed to manufacture partially or in full, use or sell either the method of construction represented or any invention in any way related thereto.



PENNBARRY™

PennBarry is proud to be your preferred manufacturer of commercial and industrial fans and blowers. Learn how PennBarry can assist you in your next application by contacting your PennBarry Representative or visiting us on the web at www.pennbarry.com.

PennBarry | www.pennbarry.com | pennbarrysales@pennbarry.com | tel: 972.212.4700 | fax: 972.212.4702

PennBarry reserves the right to make changes at any time, without notice, to models, construction, specifications, options and availability. This manual illustrates the appearance of PennBarry products at the time of publication.

View the latest updates on the PennBarry website.

© 2018 PennBarry. All Rights Reserved. Revised JANUARY 2023