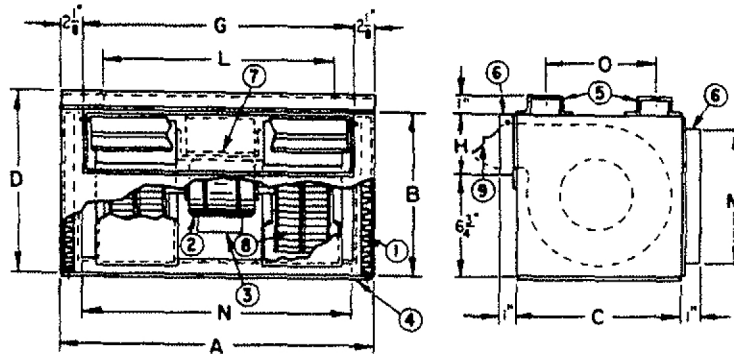


ZEPHYR CABINET FANS MODELS Z14 & Z15



LEGEND

- | | |
|---|---|
| <ul style="list-style-type: none"> 1. ACOUSTICALLY INSULATED HOUSING 2. PERMANENTLY LUBRICATED MOTOR 3. ELECTRICAL CONDUIT BOX 4. REMOVABLE ACCESS PANEL 5. SUPPORT CHANNELS WITH MOUNTING HOLES | <ul style="list-style-type: none"> 6. DUCT SLEEVES 7. MOTOR SUPPORT PLATE 8. CENTRIFUGAL BLOWER WHEELS 9. BACKDRAFT DAMPER (OPTIONAL) |
|---|---|

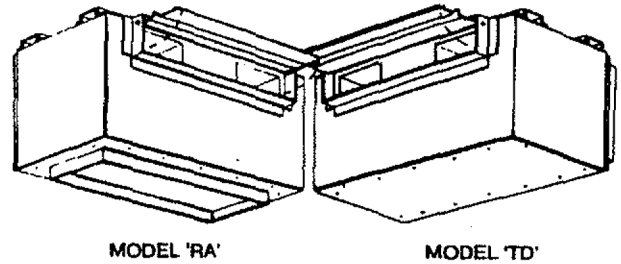
DIMENSIONAL DATA

MODEL	A	B	C	D	OUTLET			INLET		
					G	H	L	M	N	O
Z14	38	14-1/2	14-1/2	15-1/2	33-3/4	7-3/4	30-1/2	12-1/2	36	7-7/8
Z15	45-1/2	16-1/2	16-1/2	17-1/2	41-1/4	9-3/8	34-1/2	14-1/2	43-1/2	10

ALL DIMENSIONS IN INCHES.

NOTE:

UNITS ARE SHIPPED FOR RIGHT ANGLE DISCHARGE (MODEL 'RA'). WHEN TOP DISCHARGE (MODEL 'TD') IS REQUIRED, ACCESS PANEL AND DUCT FLANGE ARE EASILY REMOVABLE FOR REMOUNTING IN FIELD TO SWITCH TO TOP DISCHARGE OR INLINE ARRANGEMENT.



SPEED CONTROL OR TIME DELAY SWITCH	METAL FACE GRILLE	FLAT ROOF CAP	BRICK VENT OR WALL CAP
	<p>TYPE MFG</p>		
<p>MODEL LT40 (Z14) MODEL LT35 (Z15)</p>	<p>MFG14 40 1/2" X 17" MFG15 48" X 19"</p>	<p>MODEL WCF20</p>	<p>MODEL B120 (Z14) T=24" MODEL B150 (Z15) T=30"</p>

MATERIAL: GALVANIZED STEEL HOUSING

	<h1 style="margin: 0;">SUBMITTAL SHEET</h1> <h2 style="margin: 0;">ZEPHYR CABINET FANS</h2> <h3 style="margin: 0;">Quiet In-Line Fan</h3> <h3 style="margin: 0;">(Exhaust or Supply)</h3>
--	---

THIS DRAWING ILLUSTRATES OUR UNDERSTANDING OF ORDER REQUIREMENTS. WHEN APPROVED, IT REPRESENTS DETAILS FOR FABRICATION. AS SUCH, PENN. VENTILATOR WILL NOT BE RESPONSIBLE FOR REVISIONS IN THE FIELD OR OTHER CHANGES AFTER RELEASE FOR FABRICATION. PUBLISHED & PROTECTED BY PENN VENTILATION, INC., PA. ALL RIGHTS RESERVED. MAY NOT BE REPRODUCED PARTIALLY OR IN FULL WITHOUT PERMISSION FROM THE PUBLISHER. NO RIGHTS CONVEYED TO MANUFACTURE PARTIALLY OR IN FULL. USE OR SELL EITHER THE METHOD OF CONSTRUCTION REPRESENTED OR ANY INVENTION IN ANY WAY RELATED THERETO.