



**DEPARTMENT OF REGULATORY AND ECONOMIC RESOURCES (RER)
BOARD AND CODE ADMINISTRATION DIVISION
NOTICE OF ACCEPTANCE (NOA)**

**MIAMI-DADE COUNTY
PRODUCT CONTROL SECTION**
11805 SW 26 Street, Room 208
Miami, Florida 33175-2474
T (786) 315-2590 F (786) 315-2599
www.miamidade.gov/economy

**Air System Components, Inc. dba PennBarry
605 Shiloh Rd.
Plano, TX 75074**

SCOPE:

This NOA is being issued under the applicable rules and regulations governing the use of construction materials. The documentation submitted has been reviewed and accepted by Miami-Dade County RER-Product Control Section to be used in Miami Dade County and other areas where allowed by the Authority Having Jurisdiction (AHJ).

This NOA shall not be valid after the expiration date stated below. The Miami-Dade County Product Control Section (In Miami Dade County) and/or the AHJ (in areas other than Miami Dade County) reserve the right to have this product or material tested for quality assurance purposes. If this product or material fails to perform in the accepted manner, the manufacturer will incur the expense of such testing and the AHJ may immediately revoke, modify, or suspend the use of such product or material within their jurisdiction. RER reserves the right to revoke this acceptance if it is determined by Miami-Dade County Product Control Section that this product or material fails to meet the requirements of the applicable building code.

This product is approved as described herein and has been designed to comply with the Florida Building Code, including the High Velocity Hurricane Zone.

DESCRIPTION: Series Dynamo Direct and Belt Drives and Dynapak Belt Drive Steel Rooftop Fans

APPROVAL DOCUMENT: Drawing No. **24553-0**, titled "Dynamo Direct Drive Models", sheets 1 through 8, "Dynamo Belt Drive Models" sheets 1 through 14, and "Dynapak Belt Drive Models", sheets 1 through 9, all dated 10/31/2018, prepared by Air System Components, Inc. dba PennBarry, signed and sealed by Wayne K. Helmila, P.E. on 08/24/2022, bearing the Miami-Dade County Product Control revision stamp with the Notice of Acceptance number and expiration date by the Miami-Dade County Product Control Section.

MISSILE IMPACT RATING: Large and Small Missile Impact Resistant

LABELING: Each unit shall bear a permanent label with the manufacturer's name or logo, city, state, model/series, and following statement: "Miami-Dade County Product Control Approved", unless otherwise noted herein.

RENEWAL of this NOA shall be considered after a renewal application has been filed and there has been no change in the applicable building code negatively affecting the performance of this product.

TERMINATION of this NOA will occur after the expiration date or if there has been a revision or change in the materials, use, and/or manufacture of the product or process. Misuse of this NOA as an endorsement of any product, for sales, advertising or any other purposes shall automatically terminate this NOA. Failure to comply with any section of this NOA shall be cause for termination and removal of NOA.

ADVERTISEMENT: The NOA number preceded by the words Miami-Dade County, Florida, and followed by the expiration date may be displayed in advertising literature. If any portion of the NOA is displayed, then it shall be done in its entirety.

INSPECTION: A copy of this entire NOA shall be provided to the user by the manufacturer or its distributors and shall be available for inspection at the job site at the request of the Building Official.

This NOA **renews** and **revises** **NOA # 20-0625.13** and consists of this page 1 and evidence pages E-1, E-2 and E-3, as well as approval document mentioned above.

The submitted documentation was reviewed by **Carlos M. Utrera, P.E.**



**NOA No. 22-0729.04
Expiration Date: August 10, 2027
Approval Date: October 6, 2022
Page 1**

NOTICE OF ACCEPTANCE: EVIDENCE SUBMITTED

1. Evidence submitted under NOA # 17-0112.09

A. DRAWINGS

1. Drawing No. **24553-0**, titled “Dynamo and Dynapak”, sheets 1 through 21 of 21, dated 09/06/2016, prepared by Air System Components, Inc. dba PennBarry, signed and sealed by Thomas D. Sullivan, P.E. on 06/29/2017 and 07/07/2017.

B. TESTS

1. Test reports on 1) Uniform Static Air Pressure Test, Loading per FBC TAS 202-94
2) Large Missile Impact Test per FBC, TAS 201-94
along with marked-up drawings and installation diagram of Dynamo (D) steel rooftop supply fans, prepared by Intertek/ATI, Test Report No. **G2361.01-801-18**, dated 09/28/2016, with revision dated 02/28/2017, signed and sealed by Tyler Westerling, P.E.
2. Test report on 1) Uniform Static Air Pressure Test per FBC, TAS 202-94
2) Large Missile Impact Test per FBC, TAS 201-94,
along with marked-up drawings and installation diagram of a Dynamo Dynapak steel rooftop supply fan, prepared by Architectural Testing, Inc., Test Report No. **G2327.01-801-18**, dated 09/21/2016, with revision dated 02/28/2017, signed and sealed by Tyler Westerling, P.E.

C. CALCULATIONS

1. Anchoring verification calculations prepared by JB & B Engineering Consultants, LLC, dated 03/15/2017, signed and sealed by Thomas D. Sullivan, P.E.

D. QUALITY ASSURANCE

1. Miami-Dade Department of Regulatory and Economic Resources (RER)

E. MATERIAL CERTIFICATIONS

1. None.

F. STATEMENTS

1. Statement letters of code conformance to the 5th edition (2014) FBC and of no financial interest issued by JB & B Engineering Consultants, LLC, both dated 04/03/2017 and signed and sealed by Thomas D. Sullivan, P.E.



Carlos M. Utrera, P.E.
Product Control Examiner
NOA No. 22-0729.04
Expiration Date: August 10, 2027
Approval Date: October 6, 2022

NOTICE OF ACCEPTANCE: EVIDENCE SUBMITTED

2. Evidence submitted under NOA # 18-1205.05

A. DRAWINGS

1. Drawings No. **24553-0**, titled “Dynamo Direct Drive Models”, sheets 1 through 8, “Dynamo Belt Drive Models” sheets 1 through 14, and “Dynapak Belt Drive Models”, sheets 1 through 9, all dated 10/31/2018, prepared by Air System Components, Inc. dba PennBarry, signed and sealed by Wayne K. Helmila, P.E. on 05/31/2019.

B. TESTS

1. Test reports on 1) Uniform Static Air Pressure Test, Loading per FBC TAS 202-94
2) Large Missile Impact Test per FBC, TAS 201-94
along with marked-up drawings and installation diagram of Dynamo Belt Drive Models D06 and D15, prepared by Intertek, Test Report No. **I8158.01-801-18R1**, dated 02/19/2019, with revision dated 05/22/2019, signed and sealed by Tyler Westerling, P.E.
2. Test reports on 1) Uniform Static Air Pressure Test, Loading per FBC TAS 202-94
2) Large Missile Impact Test per FBC, TAS 201-94
along with marked-up drawings and installation diagram of Dynamo Direct Drive Models D06, D15, and D18, prepared by Intertek, Test Report No. **I8160.01-801-18R1**, dated 02/19/2019, with revision dated 05/22/2019, signed and sealed by Tyler Westerling, P.E.

C. CALCULATIONS

1. Anchoring verification calculations prepared by Rice Engineering, dated 02/11/2019, signed and sealed by Wayne K. Helmila, P.E.

D. QUALITY ASSURANCE

1. Miami-Dade Department of Regulatory and Economic Resources (RER)

E. MATERIAL CERTIFICATIONS

1. None.

F. STATEMENTS

1. Statement letter of code conformance to the 6th edition (2017) FBC issued by Rice Engineering, dated 03/13/2019, signed and sealed by Wayne K. Helmila, P.E.
2. Statement letter of no financial interest issued by Rice Engineering, dated 03/13/2019, signed and sealed by Wayne K. Helmila, P.E.
3. Distributor agreement dated 04/01/2020.



Carlos M. Utrera, P.E.
Product Control Examiner
NOA No. 22-0729.04
Expiration Date: August 10, 2027
Approval Date: October 6, 2022

NOTICE OF ACCEPTANCE: EVIDENCE SUBMITTED

3. New evidence submitted

A. DRAWINGS

1. Drawings No. **24553-0**, titled “Dynamo Direct Drive Models”, sheets 1 through 8, “Dynamo Belt Drive Models” sheets 1 through 14, and “Dynapak Belt Drive Models”, sheets 1 through 9, all dated 10/31/2018, prepared by Air System Components, Inc. dba PennBarry, signed and sealed by Wayne K. Helmila, P.E. on 08/24/2022.

B. TESTS

1. None.

C. CALCULATIONS

1. Anchoring verification calculations prepared by Rice Engineering, dated 07/27/2022, signed and sealed by Wayne K. Helmila, P.E.

D. QUALITY ASSURANCE

1. Miami-Dade Department of Regulatory and Economic Resources (RER).

E. MATERIAL CERTIFICATIONS

1. None.

F. STATEMENTS

1. Statement letter of code conformance to the 7th edition (2020) of the FBC issued by Rice Engineering, dated 07/27/2022, signed and sealed by Wayne K. Helmila, P.E.
2. Statement letter of no financial interest issued by Rice Engineering, dated 07/27/2022, signed and sealed by Wayne K. Helmila, P.E.



Carlos M. Utrera, P.E.
Product Control Examiner
NOA No. 22-0729.04
Expiration Date: August 10, 2027
Approval Date: October 6, 2022

REVISIONS			
REV.	DESCRIPTION	DATE	APPROVED
D	REVISIONS PER MARKUPS	05/29/2019	-

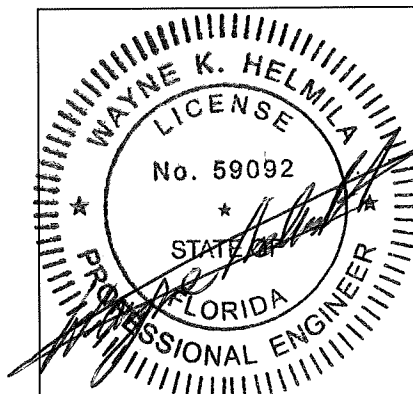
NOTES -

1. THIS PRODUCT SHOWN HEREIN IS DESIGNED AND MANUFACTURED TO COMPLY WITH REQUIREMENTS OF THE FLORIDA BUILDING CODE INCLUDING THE HVHZ.
2. WOOD AND METAL FRAMING AND CONCRETE OPENING TO BE DESIGNED AND ANCHORED TO PROPERLY TRANSFER ALL LOADS TO STRUCTURE. FRAMING AND CONCRETE OPENING IS THE RESPONSIBILITY OF THE ARCHITECT OR ENGINEER OF RECORD.
3. 1X BUCK OVER CONCRETE IS OPTIONAL. WHERE 1X BUCK IS NOT USED DISSIMILAR MATERIALS MUST BE SEPARATED WITH APPROVED COATING OR MEMBRANE. SELECTION OF COATING OR MEMBRANE IS THE RESPONSIBILITY OF THE ARCHITECT OR ENGINEER OF RECORD.
4. ALLOWABLE STRESS INCREASE OF 1/3 WAS NOT USED IN THE DESIGN OF THE PRODUCT SHOWN HEREIN. WIND LOAD DURATION FACTOR Cd=1.6 WAS USED FOR WOOD ANCHOR CALCULATIONS.
5. APPROVED PROTECTIVE INLET AND OUTLET GUARDS ARE REQUIRED FOR SIZES LISTED BELOW. GUARDS ARE NOT REQUIRED ON INSTALLATIONS WITH DUCT WORK ATTACHED TO INLET AND OUTLET OF THE UNIT.
 - ° GUARDS REQUIRED: DIRECT DRIVE SIZES D06-D18; BELT DRIVE SIZES D06-D15
6. FOR ANCHORING INTO WOOD FRAMING USE 5/8"Ø LAG SCREWS (3" EMBEDMENT, 2" THREAD ENGAGEMENT) AS SHOWN IN INSTALLATION DETAILS ON SHEET 7.
7. FOR ANCHORING INTO CONCRETE USE 5/8"Ø POWERS-STUD+SD4 WITH SUFFICIENT LENGTH TO ACHIEVE A 3 1/4" MINIMUM EMBEDMENT INTO SUBSTRATE. LOCATE ANCHORS AS SHOWN IN INSTALLATION DETAILS ON SHEET 7.
- 7.1 FOR ANCHORAGE INTO CONCRETE WITH ISOLATORS USE (2) 1/2"Ø POWER-STUD+SD4 WITH SUFFICIENT LENGTH TO ACHIEVE MINIMUM 2 1/2" EMBEDMENT INTO SUBSTRATE.
8. FOR ANCHORING INTO STEEL STRUCTURE USE 1/2"-13 THROUGH BOLTS WITH NUTS AND WASHERS WITH SUFFICIENT LENGTH TO ACHIEVE 3 THREADS MINIMUM BEYOND STRUCTURE OF INTERIOR WALL. LOCATE ANCHORS AS SHOWN IN INSTALLATION DETAILS ON SHEET 7.
9. FOR ANCHORING WITH SPRING ISOLATORS, REFER TO ISOLATORS DETAILS ON SHEET SHEET 8.
10. ALL FASTENERS TO BE CORROSION RESISTANT. UNLESS OTHERWISE NOTED ANCHORS SHALL BE 300 SERIES S.S. COND. CW Fy=65KSI.
11. THIS APPROVAL IS FOR STRUCTURAL PERFORMANCE AND IMPACT RESISTANCE ONLY. INTERIOR MECHANISM AND/OR ELECTRICAL CIRCUITRY ARE OUTSIDE THE SCOPE OF THIS APPROVAL.
12. UNITS WERE NOT TESTED FOR WATER PENETRATION PER FBC, TAS 100(A).
13. INSTALLATION ANCHORS SHALL BE INSTALLED IN ACCORDANCE WITH ANCHOR MANUFACTURER'S INSTALLATION INSTRUCTIONS AND ANCHORS SHALL NOT BE USED IN SUBSTRATES WITH STRENGTHS LESS THAN THE MINIMUM STRENGTH SPECIFIED BELOW.
 - ° WOOD - MINIMUM SPECIFIC GRAVITY OF G = 0.55 PER CALCS.
 - ° CONCRETE - MINIMUM COMPRESSIVE STRENGTH OF 4,000 PSI.
 - ° METAL STRUCTURE: STEEL 12 GA, 33KSI.

S.S. Series 300

All exposed Fasteners (attaching the unit to the structure) that are not S.S. Series 300 Fasteners are to be sealed with Liquid Proseco Flashing or equal.

PRODUCT REVISED
 as complying with the Florida
 Building Code
 NOA-No. 22-0729.04
 Expiration Date 08/10/2027
 By *[Signature]*
 Miami-Dade Product Control



PennBarry 605 Shiloh RD Plano, TX 75074

**DYNAMO
 DIRECT DRIVE MODELS
 GENERAL NOTES**

**RICE
 ENGINEERING**
 105 School Creek Trail
 Luxemburg, WI 54217
 Phone 920-617 1042
 Fax 920-617-1100
 www.rics-inc.com

Florida Firm No. F-0100005081
 Certificate of Authorization #9090
 Wayne K. Helmila
 Registration No. 59092

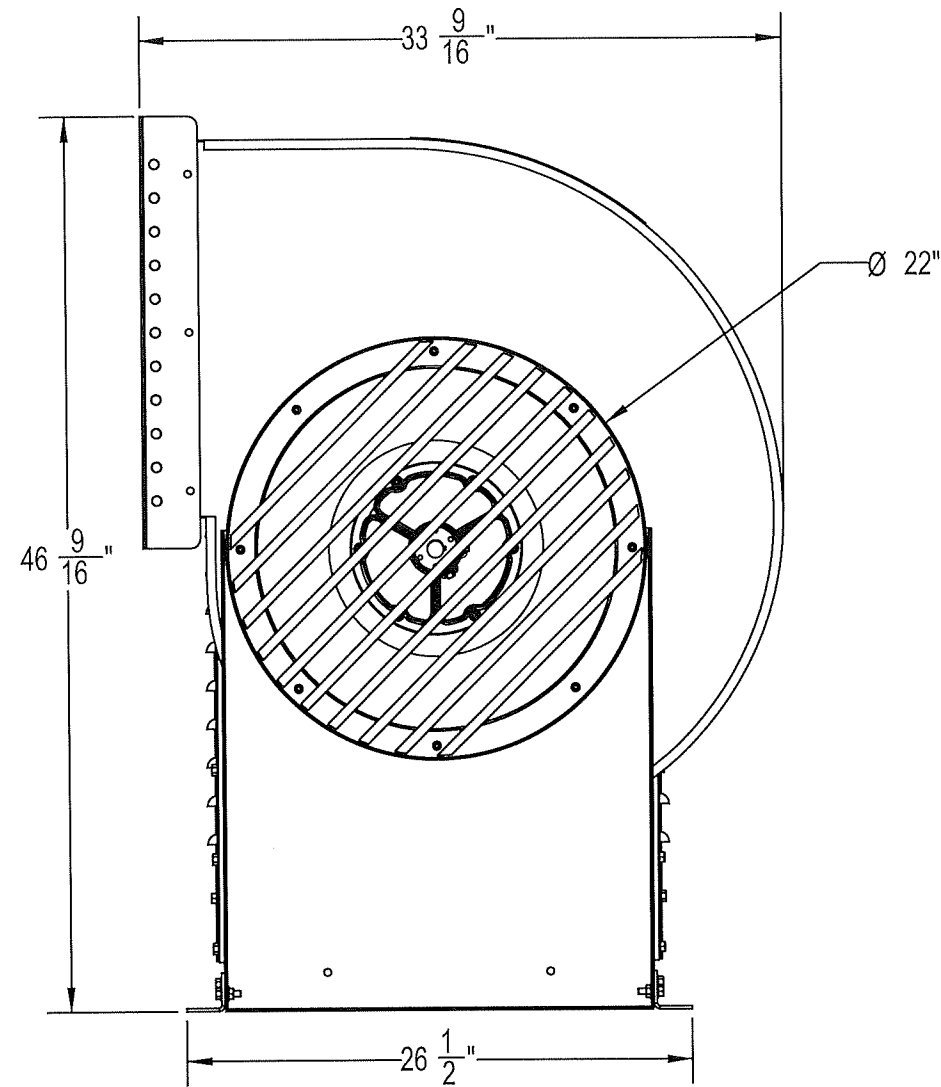
DRAWN: IC	DWG NO. 24553-0	REV B
SCALE NTS	DATE 10/31/2018	SHEET 1 OF 8

TABLE OF CONTENTS

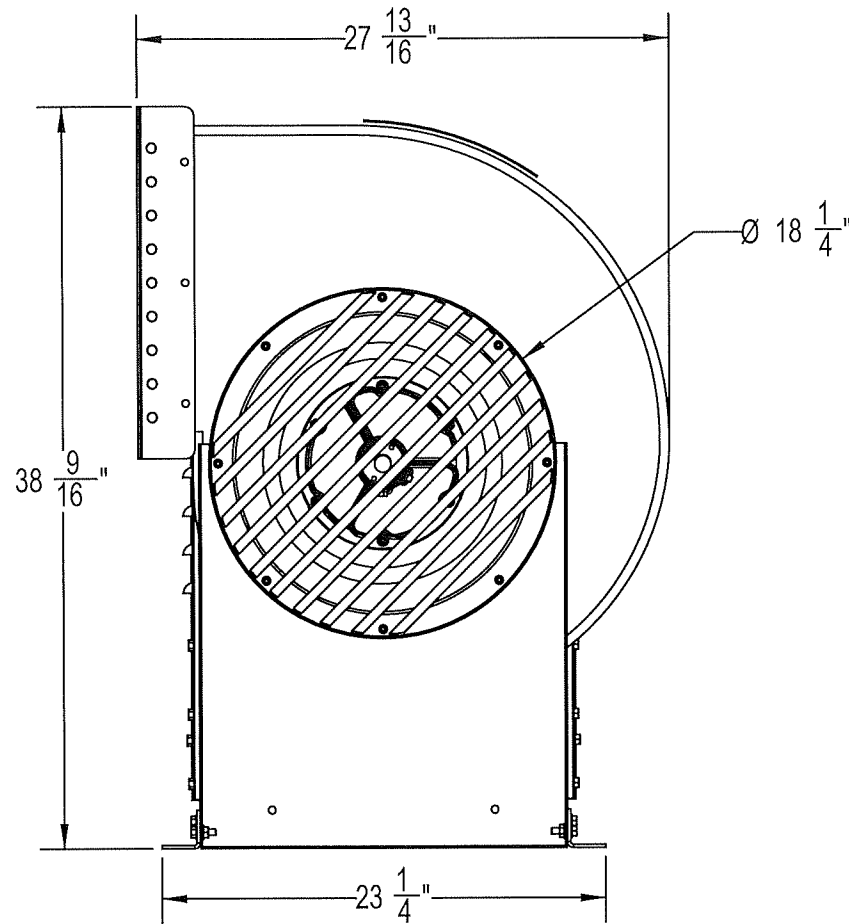
SHEET NO.	DESCRIPTION
1	GENERAL NOTES
2	DIRECT DRIVE ELEVATIONS
3-6	DIRECT DRIVE B.O.M., COMPONENTS (D06-D18)
7-8	DIRECT DRIVE INSTALLATION DETAILS

AUG 24 2022

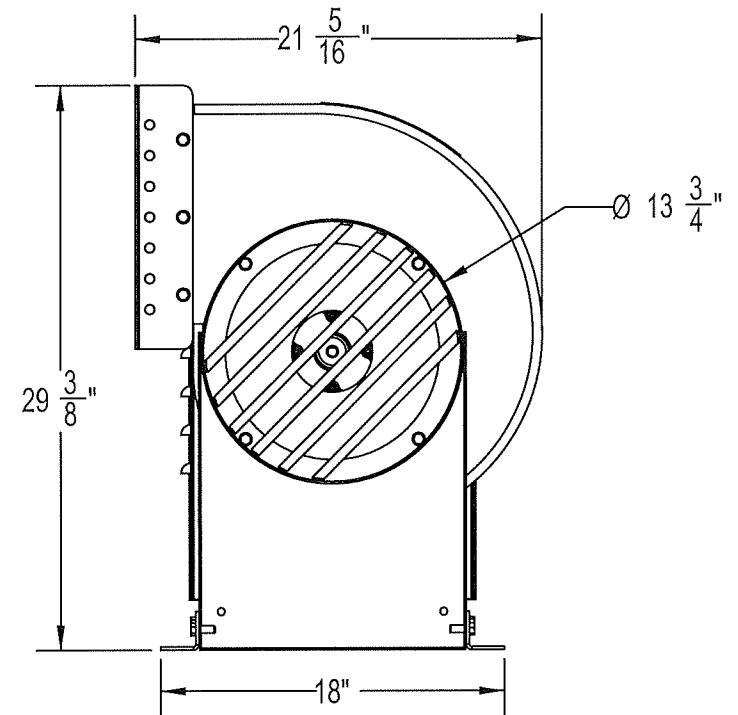
REVISIONS			
REV.	DESCRIPTION	DATE	APPROVED
D	REVISIONS PER MARKUPS	05/29/2019	-



D18 DYNAMO DIRECT DRIVE
ELEVATION VIEW



D15 DYNAMO DIRECT DRIVE
ELEVATION VIEW



D06 DYNAMO DIRECT DRIVE
ELEVATION VIEW

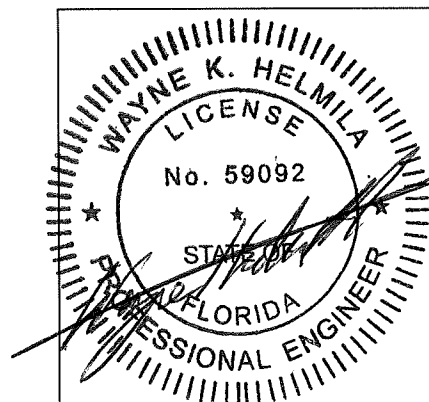
DESIGN PRESSURE RATING	IMPACT RATING
± 52.5PSF	LARGE AND SMALL MISSILE IMPACT

NOTES:

- 1.
- 2.
3. LENGTH OF DIRECT DRIVE MODELS ARE CONSIDERING WEATHER COVER ASSEMBLED FOR ALL MODELS.
4. WIDTH OF DIRECT DRIVE MODELS ARE WITH BASE ANGLES SUPPORTS FOR ALL MODELS

DIRECT DRIVE MODELS				
NAME	LENGTH	WIDTH	HEIGHT	WEIGHT
D06	24	21-1/8	29-3/8	130 lbs
D07				
D08				
D10				
D12	26	23-1/16	32-5/16	136 lbs
D13	26-1/4	23-5/16	34-7/8	140 lbs
D15	27-1/4	27-13/16	38-9/16	176 lbs
D16	28-1/2	30-5/16	42-9/16	194 lbs
D18	30-1/4	33-9/16	46-9/16	274 lbs

PRODUCT REVISED
as complying with the Florida
Building Code
NOA-No. 22-0729.04
Expiration Date 08/10/2027
By *[Signature]*
Miami-Dade Product Control



PennBarry 605 Shiloh RD Plano, TX 75074

DYNAMO
DIRECT DRIVE MODELS
ELEVATIONS

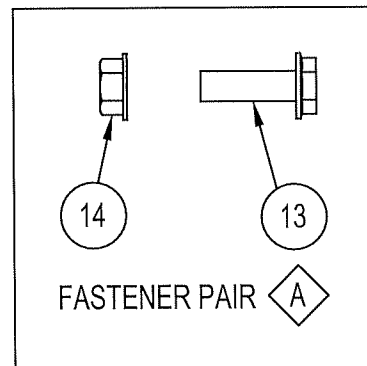
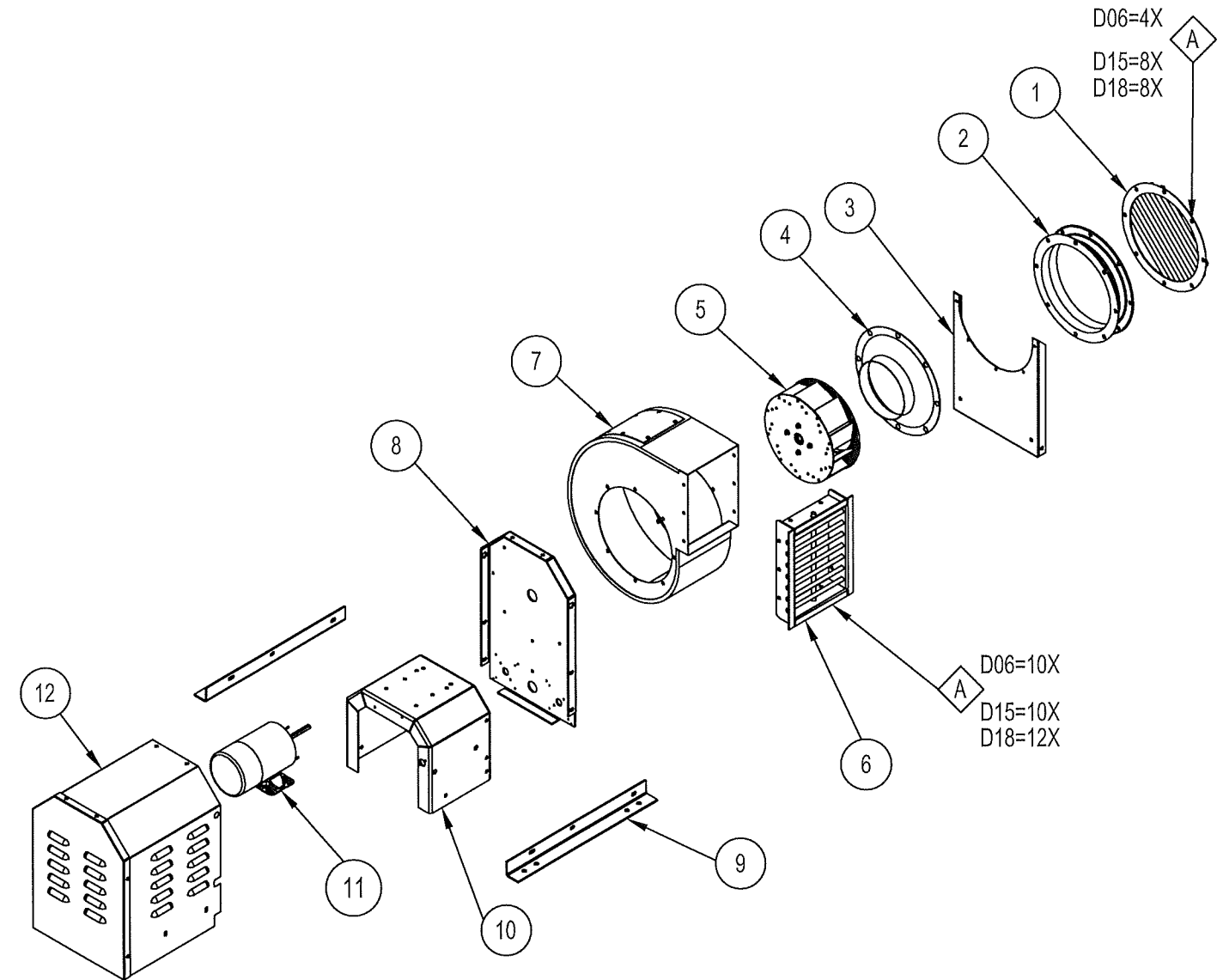
DRAWN: IC	DWG NO. 24553-0	REV B
SCALE NTS	DATE 10/31/2018	SHEET 2 OF 8

RICE
ENGINEERING
105 School Creek Trail
Luxemburg, WI 54217
Phone 920-617 1042
Fax 920-617-1100
www.rice-inc.com
Florida Firm No. F-0100000508:1
Certificate of Authorization #90960
Wayne K. Helmila
Registration No. 59092

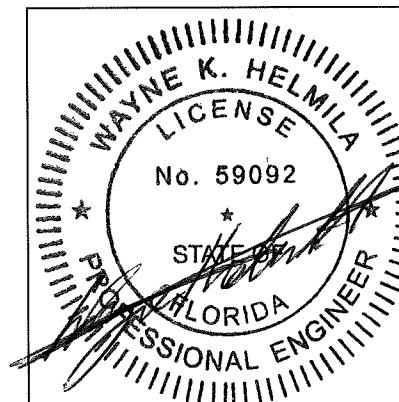
AUG 24 2022

ITEM NO.	PART NUMBER	DESCRIPTION	MANUFACTURER	MATERIAL	D06 DIMS	D15 DIMS	D18 DIMS
1	30623-0	INLET GUARD	PENNBARRY	GALV STEEL	SEE SHEET 6	SEE SHEET 6	SEE SHEET 6
2	19480-1	INLET FLANGE	PENNBARRY	GALV STEEL	A = 13 3/4" B = 2 1/2"	A = 18 1/4" B = 2 1/2"	A = 22" B = 3"
3	10680-1	SHORT VERTICAL SUPPORT	PENNBARRY	GALV STEEL	E = 16 1/2" F = 14" G = 1 1/4"	E = 20 15/16" F = 19 1/4" G = 1 1/4"	E = 24 7/8" F = 22 1/2" G = 1 1/2"
4	58110-0	INLET VENTURI	PENNBARRY	ALUM ALLOY	H = 13 3/4" I = 2 11/16"	H = 18 1/4" I = 3 9/16"	H = 22" I = 5 3/8"
5	10797-0	FAN WHEEL ASSY.	PENNBARRY	GALV STEEL	C = 11 1/2" D = 1 5/16"	C = 11 1/2" D = 1 5/16"	C = 18 3/4" D = 2 11/16"
6	30620-0	OUTLET GUARD	PENNBARRY	GALV STEEL	SEE SHEET 6	SEE SHEET 6	SEE SHEET 6
7	164095-D10BF	BLOWER HOUSING ASSY.	PENNBARRY	GALV STEEL	J = 19 11/16" K = 11 7/16" L = 8 1/2" M = 22"	J = 26 5/16" K = 17 9/16" L = 11 7/8" M = 30"	J = 32 1/16" K = 21 5/16" L = 14 3/8" M = 36 7/16"
8	10672-1001	MOTOR PEDESTAL BACKPLATE	PENNBARRY	GALV STEEL	R = 14 9/16" S = 22 3/4" T = 1 3/8"	R = 19 13/16" S = 29 1/2" T = 1 3/8"	R = 23 1/16" S = 35" T = 1 3/8"
9	10673-10	2"X2" BASE ANGLE	PENNBARRY	GALV STEEL	N = 23"	N = 27"	N = 30"
10	10694-1001	MOTOR PEDESTAL BASE	PENNBARRY	GALV STEEL	U = 13 7/8" V = 12" W = 10"	U = 19 3/16" V = 16 1/2" W = 10"	U = 22 3/8" V = 20 1/2" W = 10"
11	-	MOTOR	-	-			
12	10578-D10	WEATHER COVER ASSY.	PENNBARRY	GALV STEEL	O = 14 3/4" P = 20 5/16" Q = 14 1/16"	O = 19 15/16" P = 27 3/16" Q = 14 1/16"	O = 23 3/16" P = 32 3/8" Q = 14 1/16"
13	55647-0	5/16-18 1.00" FLANGED BOLT	-	ZINC STEEL			
14	55501-0	5/16-18 FLANGED NUT	-	ZINC STEEL			

REVISIONS			
REV.	DESCRIPTION	DATE	APPROVED
D	REVISIONS PER MARKUPS	05/29/2019	-



PRODUCT REVISED
as complying with the Florida
Building Code
NOA-No. 22-0729.04
Expiration Date 08/10/2027
By [Signature]
Miami-Dade Product Control



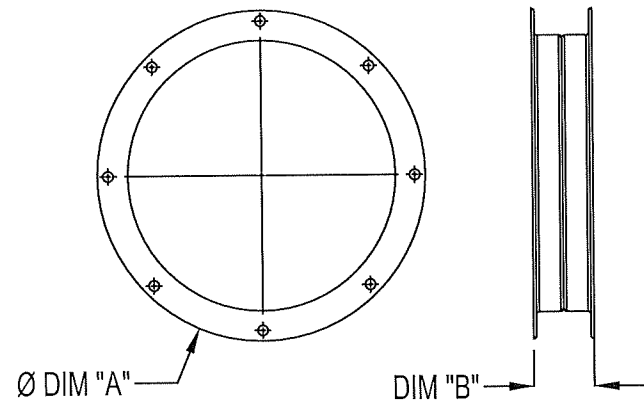
PennBarry 605 Shiloh RD Plano, TX 75074			
DYNAMO DIRECT DRIVE MODELS DIRECT DRIVE BOM - EXPLODED VIEW			
DRAWN: IC	DWG NO. 24553-0	REV B	
SCALE NTS	DATE 10/31/2018	SHEET 3 OF 8	

RICE
ENGINEERING
105 School Creek Trail
Luxemburg, WI 54217
Phone 920-617 1042
Fax 920-617-1100
www.rice-inc.com
Florida Firm No. F-01000005081
Certificate of Authorization #9090
Wayne K. Helmila
Registration No. 59092

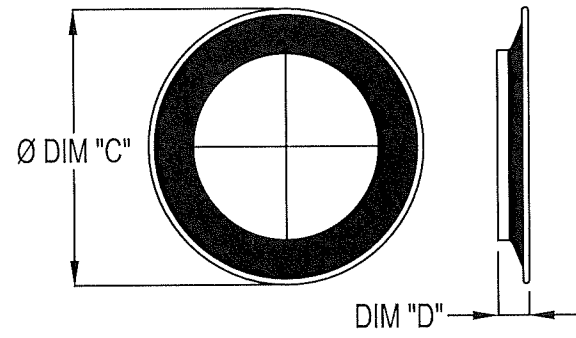
NOTES:
SAMPLE SHOWN FOR D06, D15, & D18 DIRECT DRIVE DYNAMO

AUG 24 2022

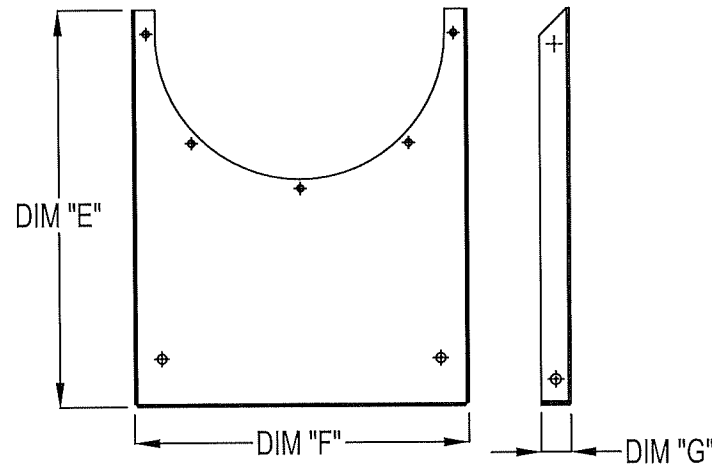
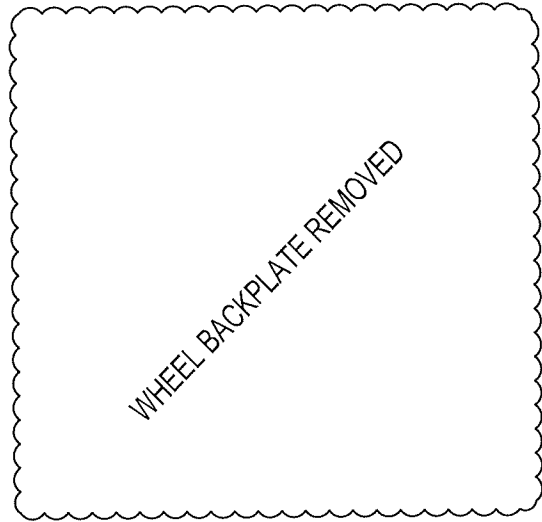
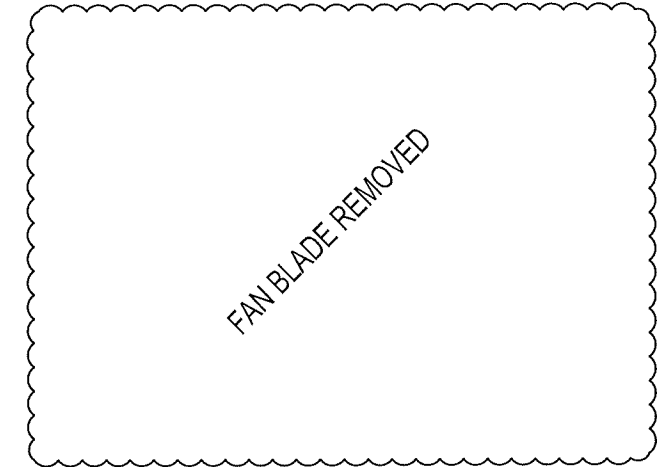
REVISIONS			
REV.	DESCRIPTION	DATE	APPROVED
D	REVISIONS PER MARKUPS	05/29/2019	-



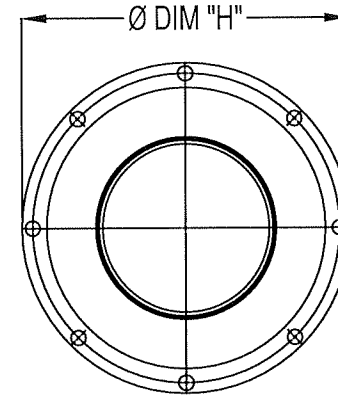
INLET FLANGE
 SAMPLE : D06, D15, & D18 SIZE
 MATERIAL : GALV. STEEL, 0.125" THK



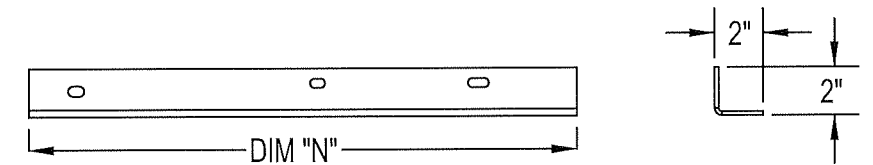
WHEEL INLET CONE
 SAMPLE : D06, D15, & D18 SIZE
 MATERIAL : ALUM .080"



SHORT VERT. SUPPORT
 SAMPLE : D06 SIZE
 MATERIAL : GALV. STEEL, 14GA
 D15 = 14GA, D18 = 12GA

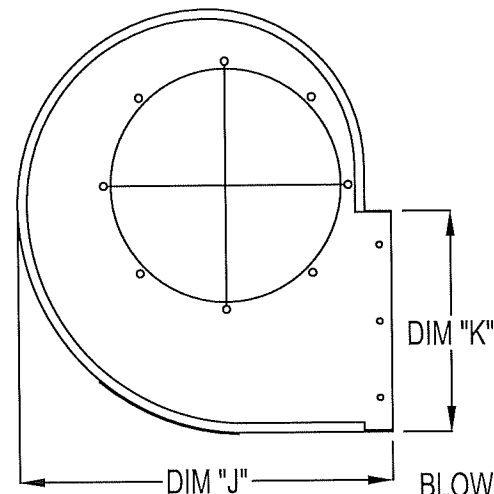


INLET VENTURI
 SAMPLE : D06, D15, & D18 SIZE
 MATERIAL : AL. ALLOY, 0.05" THK

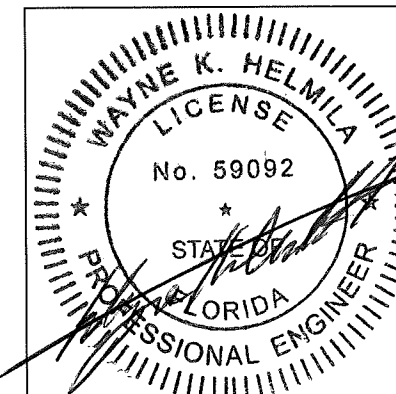
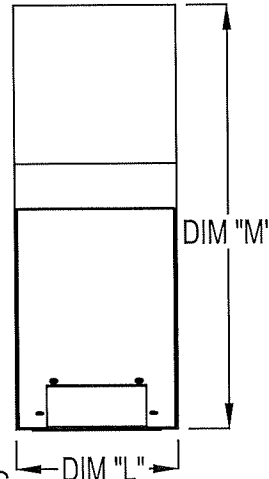


BASE ANGLE
 SAMPLE : D06 SIZE
 MATERIAL : GALV. STEEL, 10GA
 D15 = 8GA, D18 = 8GA

PRODUCT REVISED
 as complying with the Florida
 Building Code
 NOA-No. 22-0729.04
 Expiration Date 08/10/2027
 By *[Signature]*
 Miami-Dade Product Control



BLOWER HOUSING
 SAMPLE : D06 SIZE
 MATERIAL : GALV. STEEL, 16GA (SIDES), 18GA (SCROLL)
 D15 SIZE, 14GA (SIDES), 18GA (SCROLL)
 D18 SIZE, 14GA (SIDES), 16GA (SCROLL)

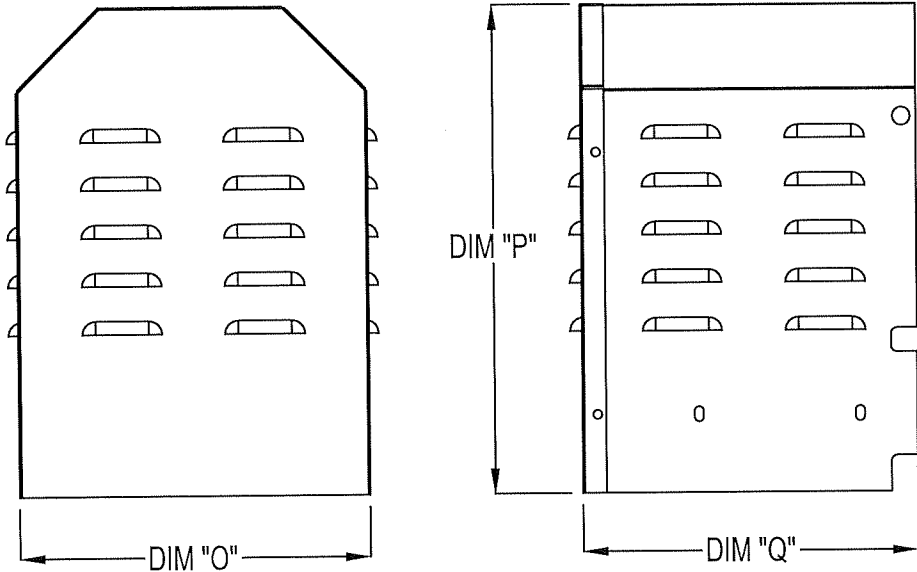


PennBarry 605 Shiloh RD Plano, TX 75074			
DYNAMO DIRECT DRIVE MODELS DIRECT DRIVE BOM - EXPLODED VIEW			
DRAWN: IC	DWG NO. 24553-0	REV B	
SCALE NTS	DATE 10/31/2018	SHEET 4 OF 8	

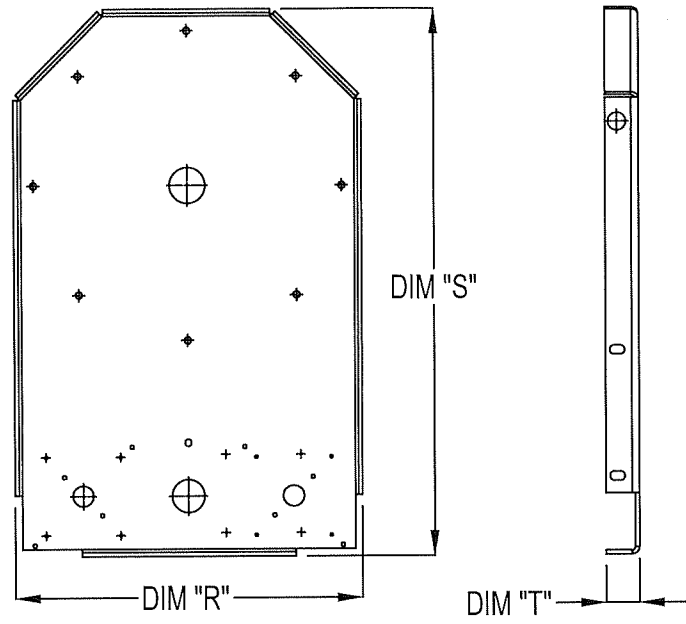
RICE
ENGINEERING
 105 School Creek Trail
 Luxemburg, WI 54217
 Phone 920-617 1042
 Fax 920-617-1100
 www.rice-inc.com
 Florida Firm No. F-01000005081
 Certificate of Authorization #9090
 Wayne K. Helmila
 Registration No. 59092

AUG 24 2022

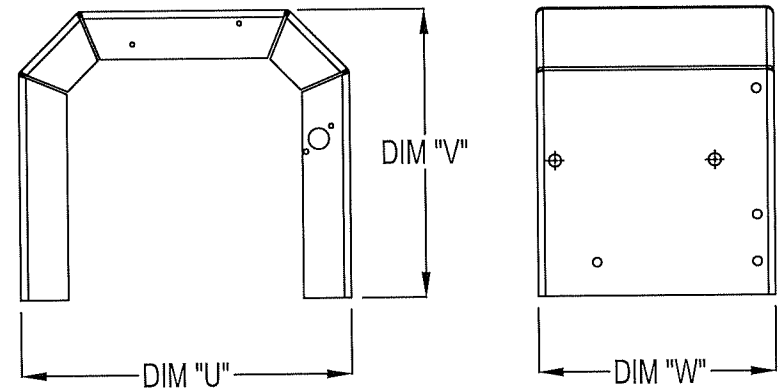
REVISIONS			
REV.	DESCRIPTION	DATE	APPROVED
D	REVISIONS PER MARKUPS	05/29/2019	-



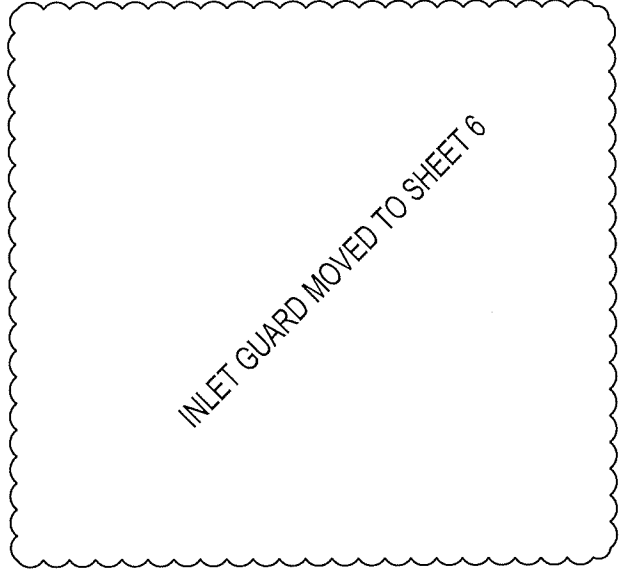
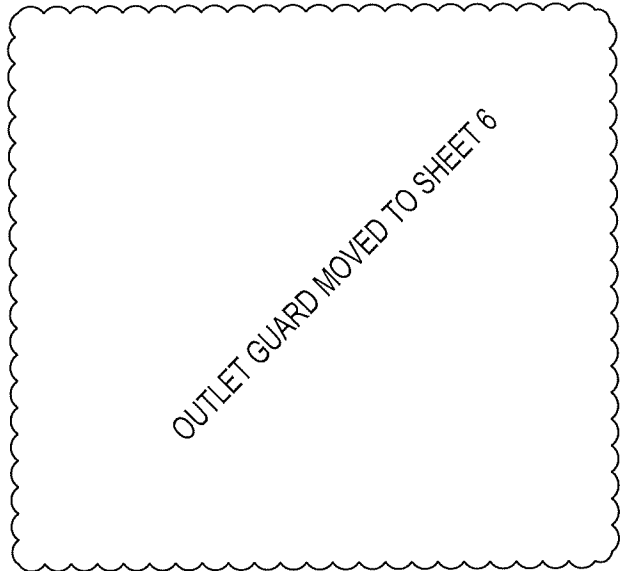
WEATHER COVER ASSEMBLY
SAMPLE : D06, D15, & D18 SIZE
MATERIAL : GALV. STEEL, 18GA



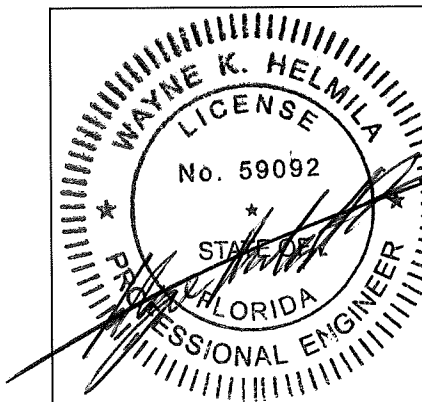
MOTOR PEDESTAL BACKPLATE
SAMPLE : D06, D15, & D18 SIZE
MATERIAL : GALV. STEEL, 8GA



MOTOR PEDESTAL BASE
SAMPLE : D06, D15, & D18 SIZE
MATERIAL : GALV. STEEL, 8GA



PRODUCT REVISED
as complying with the Florida
Building Code
NOA-No. 22-0729.04
Expiration Date 08/10/2027
By *[Signature]*
Miami-Dade Product Control



PennBarry 605 Shiloh RD Plano, TX 75074

DYNAMO
DIRECT DRIVE MODELS
INDIVIDUAL PARTS DETAIL

DRAWN:	IC	DWG NO.	24553-0	REV	B
SCALE:	NTS	DATE:	10/31/2018	SHEET:	5 OF 8

RICE
ENGINEERING
105 School Creek Trail
Luxemburg, WI 54217
Phone 920-617 1042
Fax 920-617-1100
www.rice-inc.com
Florida Firm No. F-01000005081
Certificate of Authorization #9090
Wayne K. Helmila
Registration No. 59092

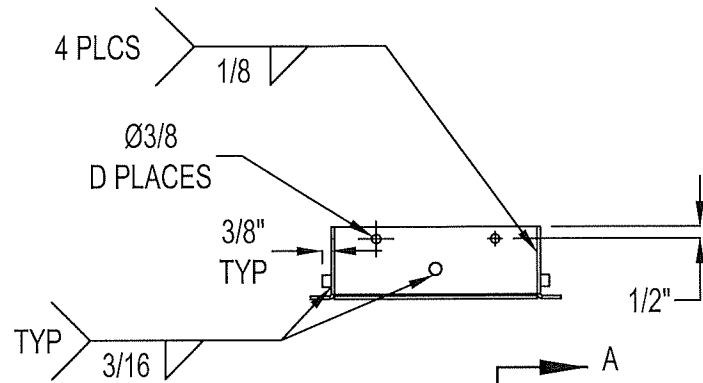
NOTES:
1. INLET & OUTLET GUARD DETAILS ON SHEET 6.

AUG 24 2022

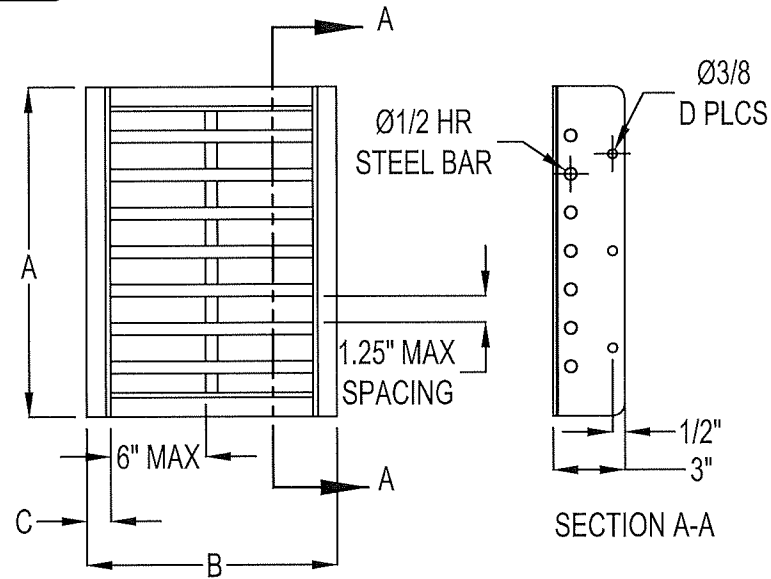
REVISIONS			
REV.	DESCRIPTION	DATE	APPROVED
D	REVISIONS PER MARKUPS	05/29/2019	-

OUTLET GUARD CHART

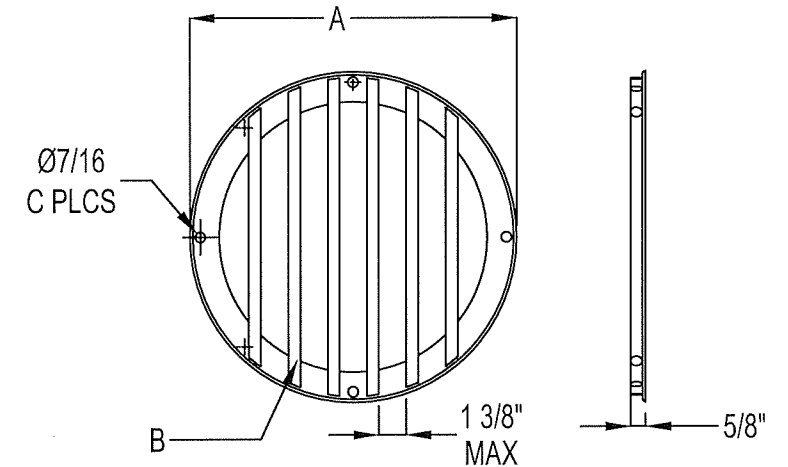
UNIT SIZE	A	B	C	D	FASTENER TYPE	FASTENER QTY
D06	13.56	10.47	1.00	2	5/16-18 X 1.00" HH BOLT	10
D07						
D08						
D10						
D12	14.28	12.56	1.00	2	5/16-18 X 1.00" HH BOLT	10
D13	16.66	12.72	1.00	2	5/16-18 X 1.00" HH BOLT	10
D15	18.05	13.88	1.00	2	5/16-18 X 1.00" HH BOLT	10
D16	19.80	15.00	1.00	2	5/16-18 X 1.00" HH BOLT	10
D18	22.22	16.88	1.25	3	5/16-18 X 1.00" HH BOLT	12



PRODUCT REVISED
 as complying with the Florida
 Building Code
 NOA-No. 22-0729.04
 Expiration Date 08/10/2027
 By *[Signature]*
 Miami-Dade Product Control



OUTLET GUARD
 SAMPLE : D06 SIZE
 MATERIAL : GALV. STEEL, 10 GA
 D15 = 10GA, D18 = 8GA

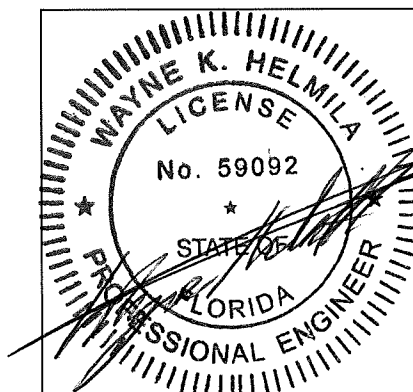


INLET GUARD
 SAMPLE : D06 SIZE
 MATERIAL : GALV. STEEL, 10GA
 D15 = 10GA, D18 = 8GA

NOTES: INLET GUARD CHART

1. INLET GUARD REQUIRED ONLY WHEN UNIT HAS UNDUCTED INLET.

UNIT SIZE	A	B	C	FASTENER TYPE	FASTENER QTY
D06	13.75	11.25	4	5/16-18 X 1.00" HH BOLT	4
D07					
D08					
D10					
D12	15.5	13	4	5/16-18 X 1.00" HH BOLT	4
D13	16.5	14	4	5/16-18 X 1.00" HH BOLT	4
D15	18.25	15.75	8	5/16-18 X 1.00" HH BOLT	8
D16	19.75	17.25	8	5/16-18 X 1.00" HH BOLT	8
D18	22	19	8	5/16-18 X 1.00" HH BOLT	8



PennBarry 605 Shiloh RD Plano, TX 75074

DYNAMO
 DIRECT DRIVE MODELS
 INLET GUARD DETAIL

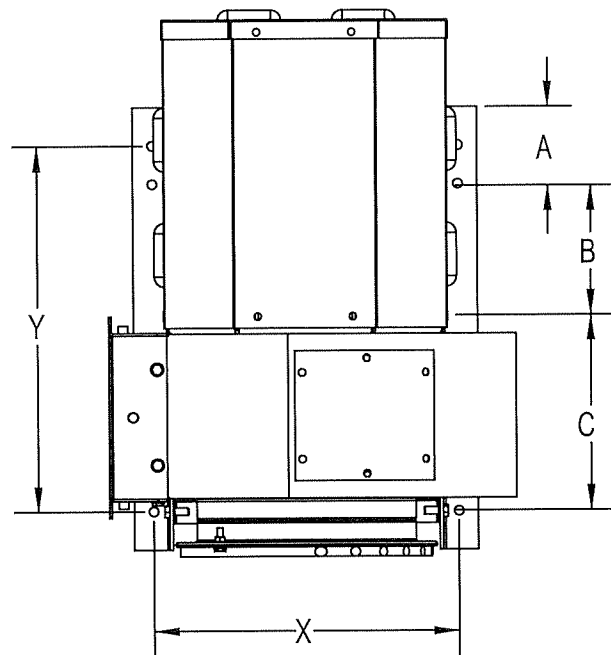
DRAWN: IC	DWG NO. 24553-0	REV B
SCALE NTS	DATE 10/31/2018	SHEET 6 OF 8

RICE
 ENGINEERING
 105 School Creek Trail
 Luxemburg, WI 54217
 Phone 920-617 1042
 Fax 920-617-1100
 www.rice-inc.com

Florida Firm No. F-01000005081
 Certificate of Authorization #9090
 Wayne K. Helmila
 Registration No. 59092

AUG 24 2022

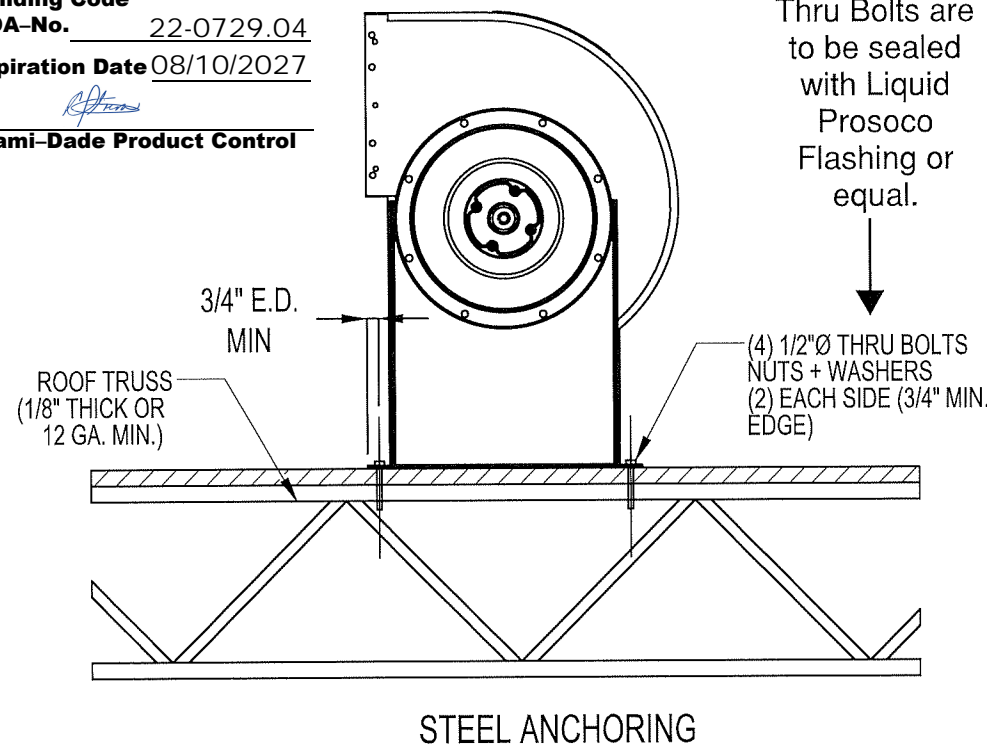
REVISIONS			
REV.	DESCRIPTION	DATE	APPROVED
D	REVISIONS PER MARKUPS	05/29/2019	-



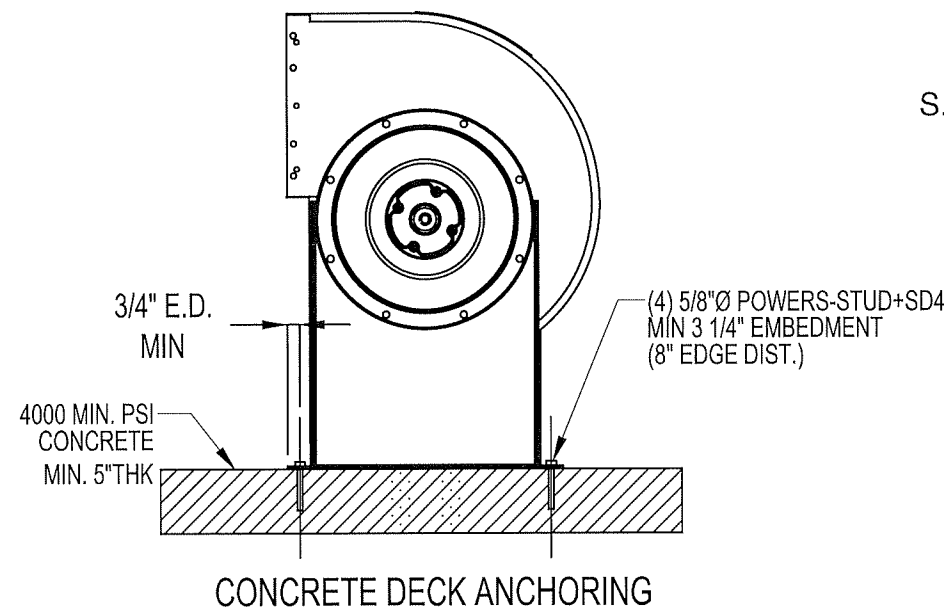
SIZE	X	Y	ROOF CURB TO ROOF DECK ANCHORS		
			CONCRETE ROOF	WOOD ROOF	STEEL ROOF
D06	16.00	19.00	4 (2 PER SIDE)	4 (2 PER SIDE)	4 (2 PER SIDE)
D07					
D08					
D10					
D12	18.16	21.00	4 (2 PER SIDE)	4 (2 PER SIDE)	4 (2 PER SIDE)
D13	19.20	21.00	4 (2 PER SIDE)	4 (2 PER SIDE)	4 (2 PER SIDE)
D15	21.28	23.00	4 (2 PER SIDE)	4 (2 PER SIDE)	4 (2 PER SIDE)
D16	22.75	24.00	4 (2 PER SIDE)	4 (2 PER SIDE)	4 (2 PER SIDE)
D18	24.50	26.00	4 (2 PER SIDE)	4 (2 PER SIDE)	4 (2 PER SIDE)

SIZE	FAN BASE ANGLE BOLTS			BOLT TYPE	No. OF BOLTS
	A	B	C		
D06	4.12	6.75	10.13	3/8-16 X 3/4	6 (3 PER SIDE)
D07					
D08					
D10					
D12	3.90	6.87	12.23	3/8-16 X 3/4	6 (3 PER SIDE)
D13	3.91	6.87	12.22	3/8-16 X 3/4	6 (3 PER SIDE)
D15	4.34	6.87	13.97	3/8-16 X 3/4	6 (3 PER SIDE)
D16	4.31	6.87	14.82	3/8-16 X 3/4	6 (3 PER SIDE)
D18	4.75	6.87	16.38	3/8-16 X 3/4	6 (3 PER SIDE)

PRODUCT REVISED
as complying with the Florida
Building Code
NOA-No. 22-0729.04
Expiration Date 08/10/2027
By *[Signature]*
Miami-Dade Product Control

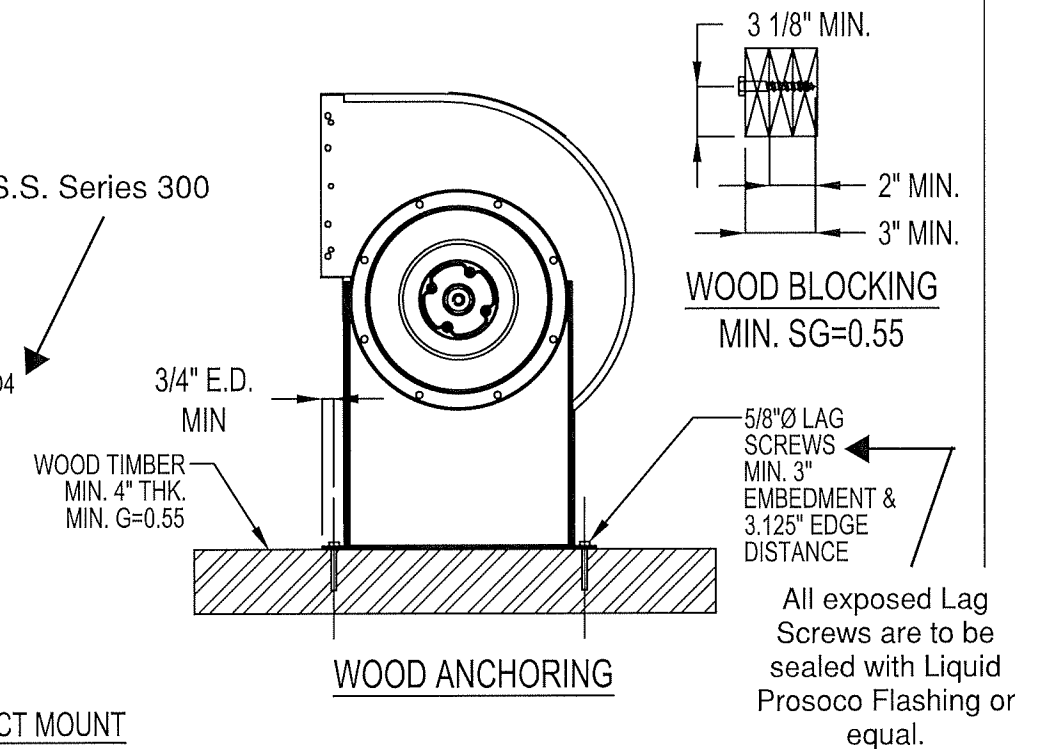


All exposed Thru Bolts are to be sealed with Liquid Prosoco Flashing or equal.

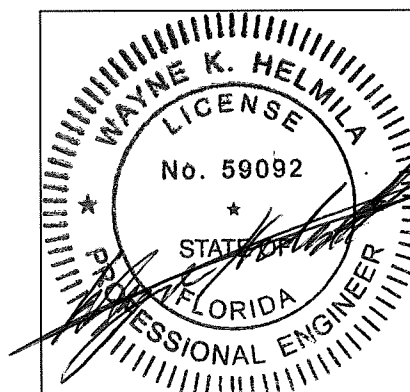


S.S. Series 300

DIRECT MOUNT



- NOTES:
- ANCHORING POSITIONS FOR METAL, WOOD, AND CONCRETE DECK ARE THE SAME.
 - REFER TO NOTES 6, 7, 7.1, & 8 ON SHEET 1 FOR THE TYPE OF ANCHORS FOR STEEL, CONCRETE AND WOOD ROOF.



PennBarry 605 Shiloh RD Plano, TX 75074

DYNAMO
DIRECT DRIVE MODELS
INSTALLATION DETAILS

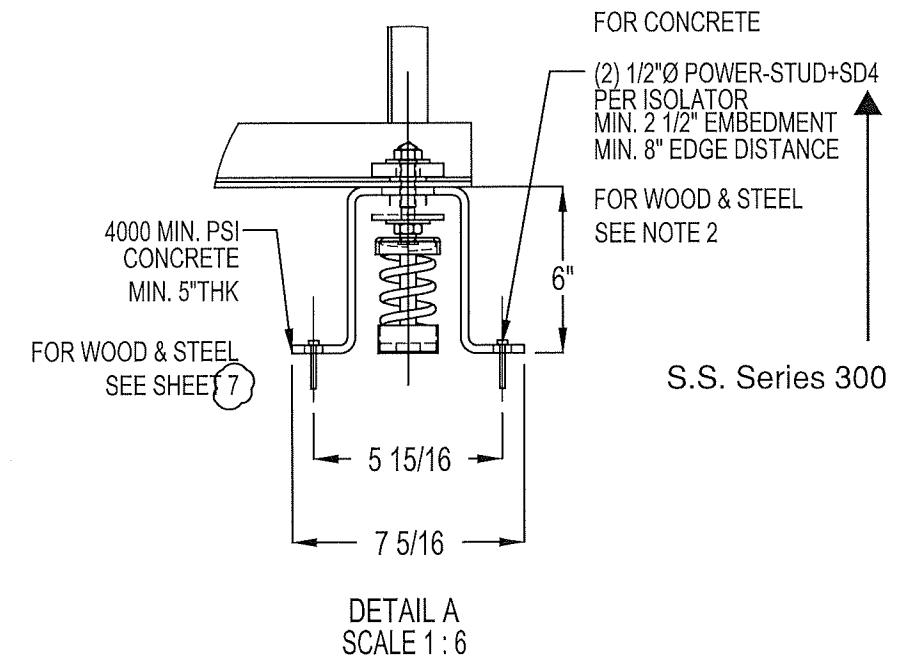
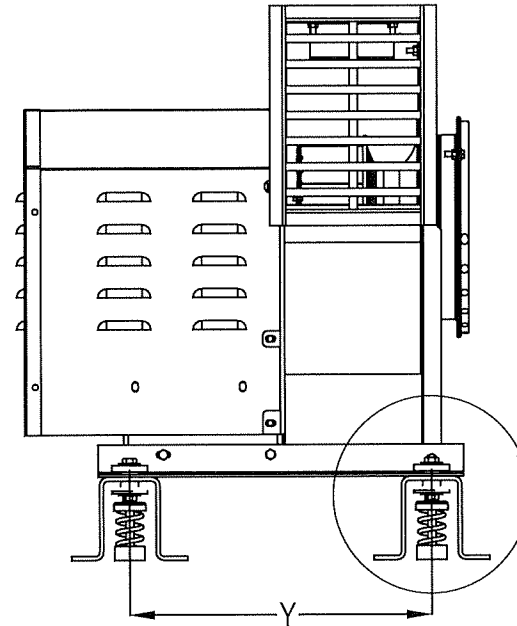
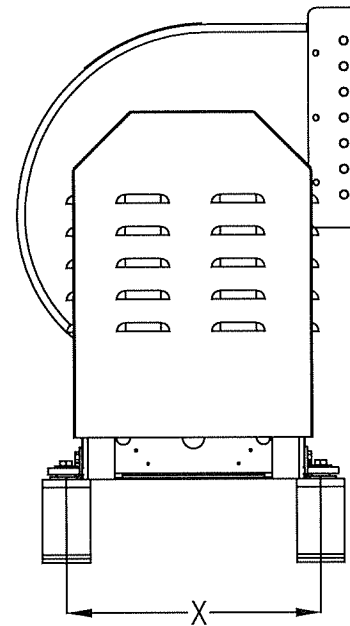
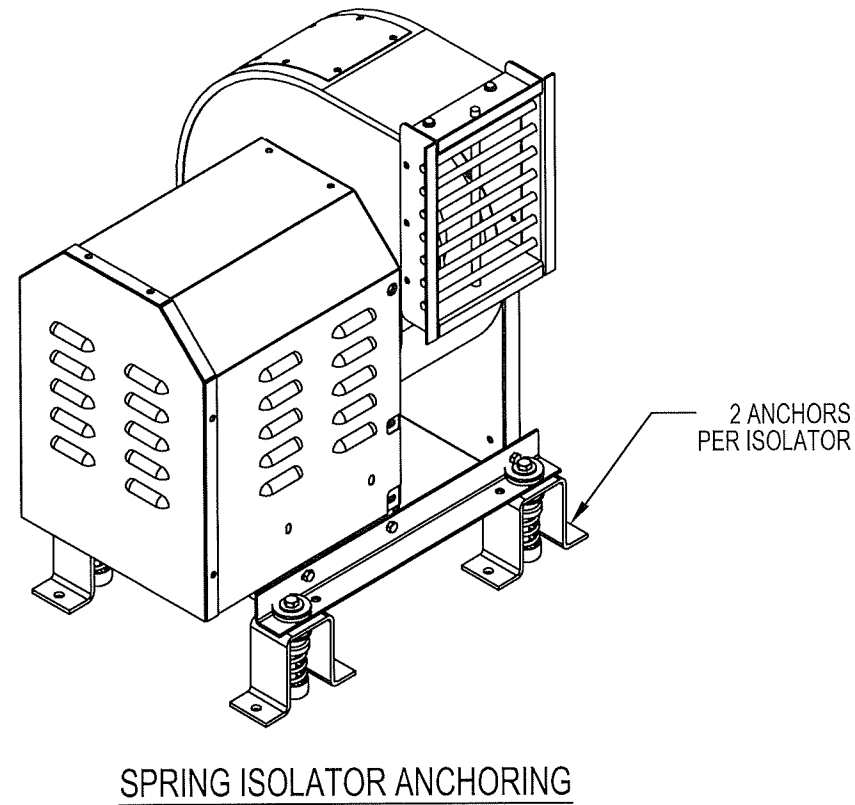
DRAWN: IC	DWG NO. 24553-0	REV B
SCALE NTS	DATE 10/31/2018	SHEET 7 OF 8

RICE
ENGINEERING
105 School Creek Trail
Luxemburg, WI 54217
Phone 920-617 1042
Fax 920-617-1100
www.rice-inc.com

Florida Firm No. F-0100005081
Certificate of Authorization #9090
Wayne K. Helmila
Registration No. 59092

AUG 24 2022

REVISIONS			
REV.	DESCRIPTION	DATE	APPROVED
D	REVISIONS PER MARKUPS	05/29/2019	-



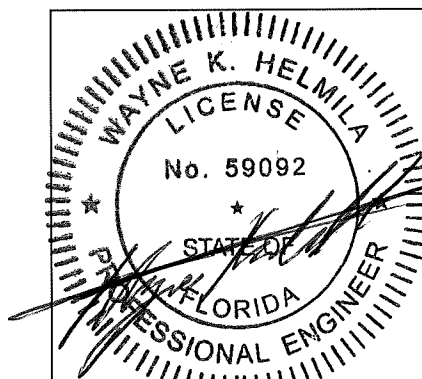
PRODUCT REVISED
as complying with the Florida Building Code
NOA-No. 22-0729.04
Expiration Date 08/10/2027
By *[Signature]*
Miami-Dade Product Control

NOTES:

- PART NUMBERS OF SPRING ISOLATORS ARE SHOWN IN THE TABLE.
- ANCHORING POSITIONS FOR METAL AND WOOD DECK ARE SAME, WITH 2 ANCHORS PER ISOLATOR.
- REFER TO NOTES 6, 7, 7.1, & 8 ON SHEET 1 FOR THE TYPE OF ANCHORS FOR STEEL, CONCRETE AND WOOD ROOF.
- ALL ISOLATORS IN TABLE AT LEFT HAVE SAME DIMENSIONS, SHOWN IN DETAIL A.

All exposed Fasteners (attaching the unit to the structure) that are not S.S. Series 300 Fasteners are to be sealed with Liquid Prosoco Flashing or equal.

DIRECT DRIVE MODELS				
SIZE	X	Y	SPRING ISOLATORS (QTY)	
D06	16.00	19.00	50830-0 (4)	-
D07				
D08				
D10				
D12	18.16	21.00	50830-0 (4)	-
D13	19.20	21.00	50830-0 (4)	-
D15	21.28	23.00	50830-0 (2)	50831-0 (2)
D16	22.75	24.00	50830-0 (2)	50832-0 (2)
D18	24.50	26.00	50831-0 (2)	50832-0 (2)



PennBarry 605 Shiloh RD Plano, TX 75074

DYNAMO
DIRECT DRIVE MODELS
INSTALLATION DETAILS

DRAWN: IC	DWG NO. 24553-0	REV B
SCALE NTS	DATE 10/31/2018	SHEET 8 OF 8

RICE
ENGINEERING
105 School Creek Trail
Luxemburg, WI 54217
Phone 920-617 1042
Fax 920-617-1100
www.rice-inc.com

Florida Firm No. F-01000005081
Certificate of Authorization #9090
Wayne K. Helmila
Registration No. 59092

AUG 24 2022

REVISIONS			
REV.	DESCRIPTION	DATE	APPROVED
D	REVISIONS PER MARKUPS	05/29/2019	-

NOTES -

1. THIS PRODUCT SHOWN HEREIN IS DESIGNED AND MANUFACTURED TO COMPLY WITH REQUIREMENTS OF THE FLORIDA BUILDING CODE INCLUDING THE HVHZ.
2. WOOD AND METAL FRAMING AND CONCRETE OPENING TO BE DESIGNED AND ANCHORED TO PROPERLY TRANSFER ALL LOADS TO STRUCTURE. FRAMING AND CONCRETE OPENING IS THE RESPONSIBILITY OF THE ARCHITECT OR ENGINEER OF RECORD.
3. 1X BUCK OVER CONCRETE IS OPTIONAL. WHERE 1X BUCK IS NOT USED DISSIMILAR MATERIALS MUST BE SEPARATED WITH APPROVED COATING OR MEMBRANE. SELECTION OF COATING OR MEMBRANE IS THE RESPONSIBILITY OF THE ARCHITECT OR ENGINEER OF RECORD.
4. ALLOWABLE STRESS INCREASE OF 1/3 WAS NOT USED IN THE DESIGN OF THE PRODUCT SHOWN HEREIN. WIND LOAD DURATION FACTOR Cd=1.6 WAS USED FOR WOOD ANCHOR CALCULATIONS.
5. APPROVED PROTECTIVE INLET AND OUTLET GUARDS ARE REQUIRED FOR SIZES LISTED BELOW. GUARDS ARE NOT REQUIRED ON INSTALLATIONS WITH DUCT WORK ATTACHED TO INLET AND OUTLET OF THE UNIT.
 - ° GUARDS REQUIRED: DIRECT DRIVE SIZES D06-D18; BELT DRIVE SIZES D06-D15
6. FOR ANCHORING INTO WOOD FRAMING USE 5/8"Ø LAG SCREWS (3" EMBEDMENT, 2" THREAD ENGAGEMENT) AS SHOWN IN INSTALLATION DETAILS ON SHEETS 7 & 13.
7. FOR ANCHORING INTO CONCRETE USE 5/8"Ø POWERS-STUD+SD4 WITH SUFFICIENT LENGTH TO ACHIEVE A 3 1/4" MINIMUM EMBEDMENT INTO SUBSTRATE. LOCATE ANCHORS AS SHOWN IN INSTALLATION DETAILS ON SHEETS 7 & 13.
- 7.1 FOR ANCHORAGE INTO CONCRETE WITH ISOLATORS USE (2) 1/2"Ø POWER-STUD+SD4 WITH SUFFICIENT LENGTH TO ACHIEVE MINIMUM 2 1/2" EMBEDMENT INTO SUBSTRATE.
8. FOR ANCHORING INTO STEEL STRUCTURE USE 1/2"-13 THROUGH BOLTS WITH NUTS AND WASHERS WITH SUFFICIENT LENGTH TO ACHIEVE 3 THREADS MINIMUM BEYOND STRUCTURE OF INTERIOR WALL. LOCATE ANCHORS AS SHOWN IN INSTALLATION DETAILS ON SHEETS 7 & 13.
9. FOR ANCHORING WITH SPRING ISOLATORS, REFER TO ISOLATORS DETAILS ON SHEETS 8 & 14.
10. ALL FASTENERS TO BE CORROSION RESISTANT. UNLESS OTHERWISE NOTED ANCHORS SHALL BE 300 SERIES S.S. COND. CW Fy=65KSI.
11. THIS APPROVAL IS FOR STRUCTURAL PERFORMANCE AND IMPACT RESISTANCE ONLY. INTERIOR MECHANISM AND/OR ELECTRICAL CIRCUITRY ARE OUTSIDE THE SCOPE OF THIS APPROVAL.
12. UNITS WERE NOT TESTED FOR WATER PENETRATION PER FBC, TAS 100(A).
13. INSTALLATION ANCHORS SHALL BE INSTALLED IN ACCORDANCE WITH ANCHOR MANUFACTURER'S INSTALLATION INSTRUCTIONS AND ANCHORS SHALL NOT BE USED IN SUBSTRATES WITH STRENGTHS LESS THAN THE MINIMUM STRENGTH SPECIFIED BELOW.
 - ° WOOD - MINIMUM SPECIFIC GRAVITY OF G = 0.55 PER CALCS.
 - ° CONCRETE - MINIMUM COMPRESSIVE STRENGTH OF 4,000 PSI.
 - ° METAL STRUCTURE: STEEL 12 GA, 33KSI.

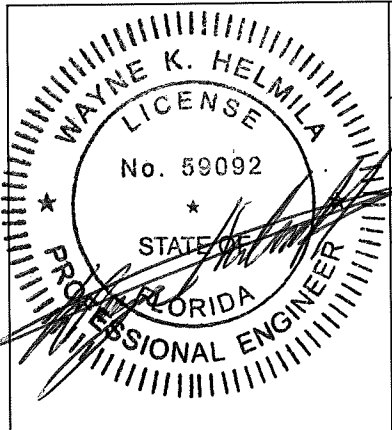
Powers-Stud+SD4 Anchors to be S.S. Series 300

All exposed Fasteners (attaching the unit to the structure) that are not S.S. Series 300 Fasteners are to be sealed with Liquid Prosoco Flashing or equal.

PRODUCT REVISED
 as complying with the Florida Building Code
 NOA-No. 22-0729.04
 Expiration Date 08/10/2027
 By *[Signature]*
 Miami-Dade Product Control

TABLE OF CONTENTS

SHEET NO.	DESCRIPTION
1	GENERAL NOTES
2	BELT DRIVE ELEVATIONS (D06-D15)
3-6	BELT DRIVE B.O.M., COMPONENTS (D06-D15)
7-8	BELT DRIVE INSTALLATION DETAILS (D06-D15)
9	BELT DRIVE ELEVATIONS (D16-D36)
10-12	BELT DRIVE B.O.M., COMPONENTS (D16-D36)
13-14	BELT DRIVE INSTALLATION DETAILS (D16-D36)



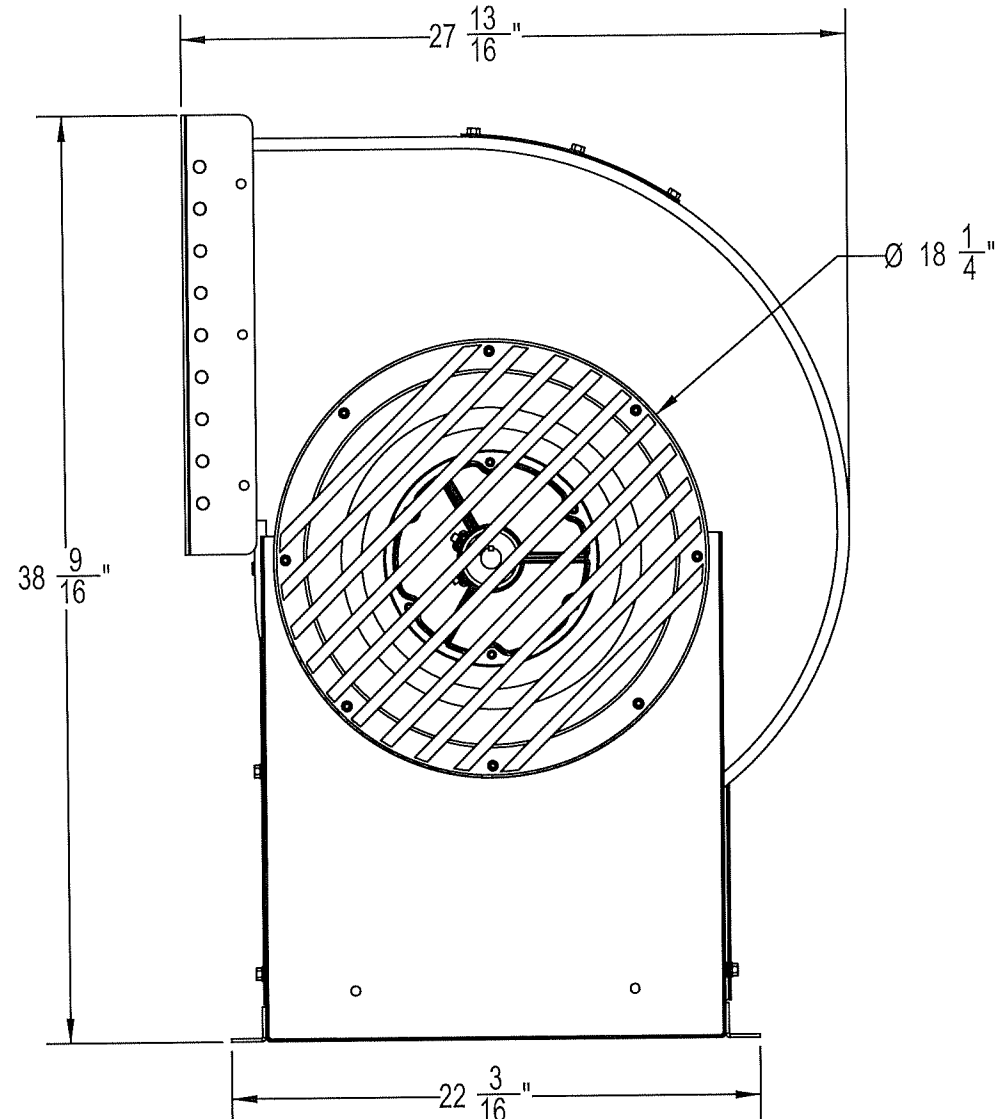
PennBarry 605 Shiloh RD Plano, TX 75074			
DYNAMO BELT DRIVE MODELS GENERAL NOTES			
DRAWN: IC	DWG NO. 24553-0	REV B	
SCALE NTS	DATE 10/31/2018	SHEET 1 OF 14	

RICE ENGINEERING
 105 School Creek Trail
 Luxemburg, WI 54217
 Phone 920-617 1042
 Fax 920-617-1100
 www.rice-inc.com

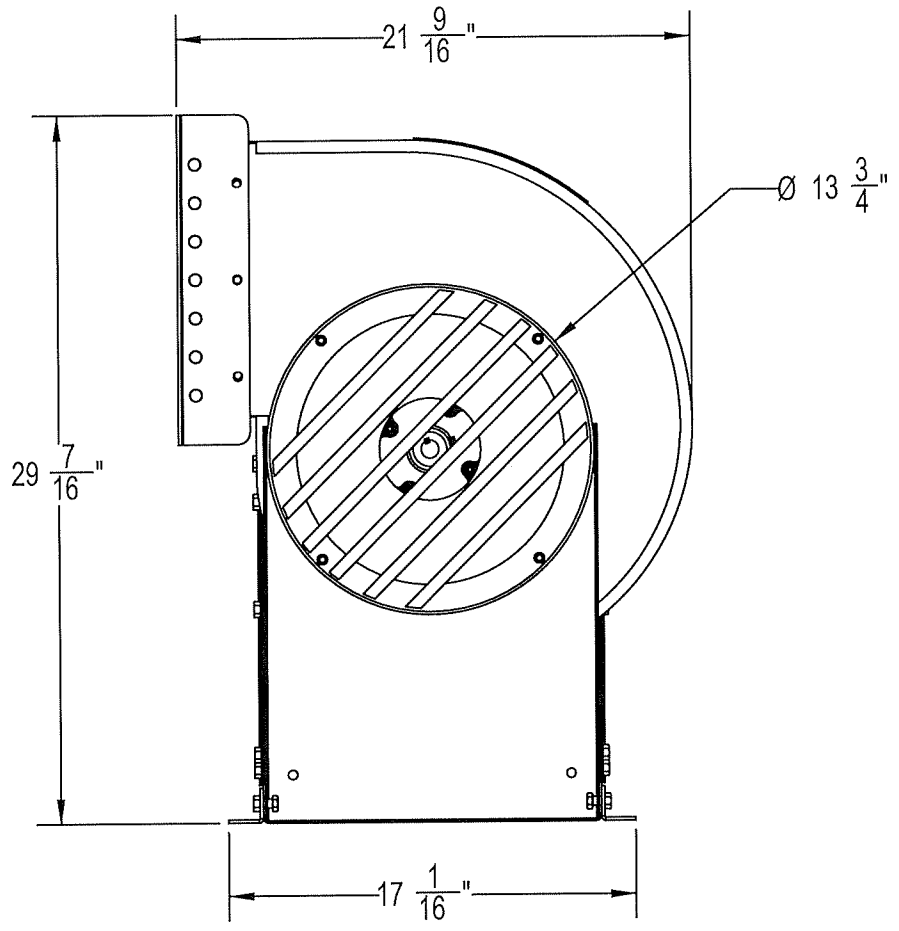
Florida Firm No. F-0100005081
 Certificate of Authorization #9090
 Wayne K. Helmila
 Registration No. 59092

AUG 24 2022

REVISIONS			
REV.	DESCRIPTION	DATE	APPROVED
D	REVISIONS PER MARKUPS	05/29/2019	-



D15 DYNAMO BELT DRIVE
ELEVATION VIEW



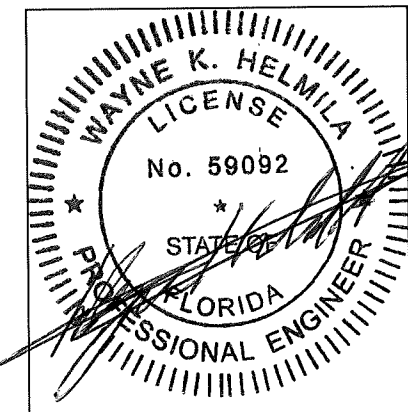
D06 DYNAMO BELT DRIVE
ELEVATION VIEW

- NOTES:
 1. LENGTH OF BELT DRIVE MODELS ARE CONSIDERING WEATHER COVER ASSEMBLED FOR ALL MODELS.
 2. WEIGHT OF BELT DRIVE UNITS DOES NOT INCLUDE PROTECTIVE INLET AND OUTLET GUARDS

DESIGN PRESSURE RATING	IMPACT RATING
± 52.5PSF	LARGE AND SMALL MISSILE IMPACT

BELT DRIVE MODELS				
NAME	LENGTH	WIDTH	HEIGHT	WEIGHT
D06	28	21-1/16	29-3/8	130 lbs
D07				
D08				
D10				
D12	30-1/8	22-15/16	32-3/16	136 lbs
D13	30-1/4	25-3/16	34-3/4	140 lbs
D15	34-1/2	27-13/16	39-9/16	176 lbs

PRODUCT REVISED
 as complying with the Florida Building Code
 NOA-No. 22-0729.04
 Expiration Date 08/10/2027
 By *[Signature]*
 Miami-Dade Product Control



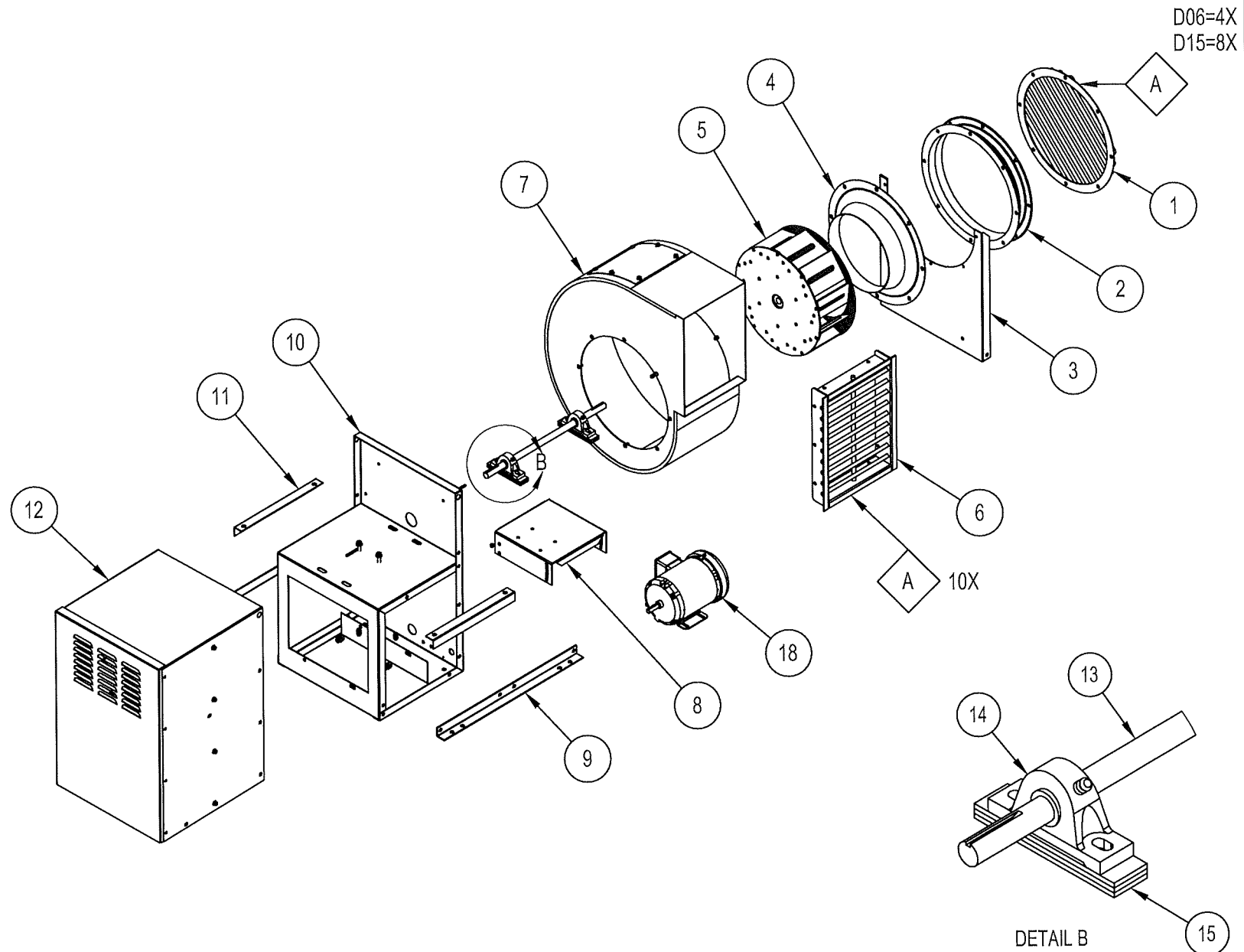
PennBarry 605 Shiloh RD Plano, TX 75074			
DYNAMO BELT DRIVE MODELS ELEVATIONS			
DRAWN: IC	DWG NO. 24553-0	REV B	
SCALE NTS	DATE 10/31/2018	SHEET 2 OF 14	

RICE ENGINEERING
 105 School Creek Trail
 Luxemburg, WI 54217
 Phone 920-617-1042
 Fax 920-617-1100
 www.rice-inc.com
 Florida Firm No. F-01000005081
 Certificate of Authorization #9090
 Wayne K. Helmila
 Registration No. 59092

AUG 24 2022

ITEM NO.	PART NUMBER	DESCRIPTION	MANUFACTURER	MATERIAL	D06 DIMS	D15 DIMS
1	30623-3	INLET GUARD	PENNBARRY	GALV STEEL	SEE SHEET 6	SEE SHEET 6
2	19480-4	INLET FLANGE	PENNBARRY	GALV STEEL	A = 13 3/4" B = 2 1/2"	A = 18 1/4" B = 2 1/2"
3	10695-1	SHORT VERTICAL SUPPORT	PENNBARRY	GALV STEEL	E = 14 1/4" F = 16 11/16" G = 1 5/16"	E = 19 5/16" F = 21" G = 1 7/16"
4	58116-0	INLET VENTURI	PENNBARRY	ALUMINUM	H = 13 3/4" I = 2 11/16"	H = 18 1/4" I = 3 9/16"
5	10803-0	FAN WHEEL ASSY.	PENNBARRY	GALV STEEL	C = 11 1/2" D = 1 5/16"	C = 16 3/16" D = 1 1/2"
6	30620-3	OUTLET GUARD ASSY.	PENNBARRY	GALV STEEL	SEE SHEET 6	SEE SHEET 6
7	16409504	BLOWER HOUSING ASSY.	PENNBARRY	GALV STEEL	J = 19 11/16" K = 12 3/4" L = 8 1/2" M = 22"	J = 26 5/16" K = 17 9/16" L = 11 7/8" M = 30"
8	10736-1	MOTOR MOUNTING PLATE	PENNBARRY	GALV STEEL		
9	13600-0	BASE ANGLE	PENNBARRY	GALV STEEL	O = 23"	O = 26 1/2"
10	26164-0	MOTOR MOUNT ASSY.	PENNBARRY	GALV STEEL	S = 22 5/8" T = 14 3/16" U = 14 1/16" V = 14 1/2"	S = 29 5/8" T = 19 1/4" U = 18 1/8" V = 16"
11	11222-1	BEARING SUPPORT ANGLE	PENNBARRY	GALV STEEL	N = 14 1/8"	N = 15 1/2"
12	10587-0	WEATHER COVER ASSY.	PENNBARRY	GALV STEEL	P = 14 1/2" Q = 21 1/16" R = 18 13/16"	P = 19 9/16" Q = 28 3/16" R = 19 7/8"
13	10797-0	FAN SHAFT	PENNBARRY	ALLOY STEEL		
14	57090-0	BEARINGS	DODGE	STEEL		
15	11216-0	SHAFT BEARING SHIM	PENNBARRY	GALV STEEL		
16	55647-0	5/16-18 1" FLANGED BOLT	-	ZINC STEEL		
17	55501-0	5/16-18 FLANGED NUT	-	ZINC STEEL		
18	-	ELECTRIC MOTOR	-	STEEL		

REVISIONS			
REV.	DESCRIPTION	DATE	APPROVED
D	REVISIONS PER MARKUPS	05/29/2019	-

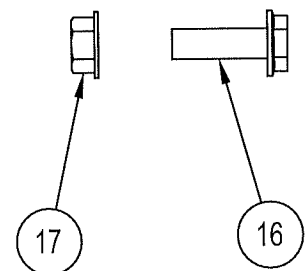


D06=4X
D15=8X

A 10X

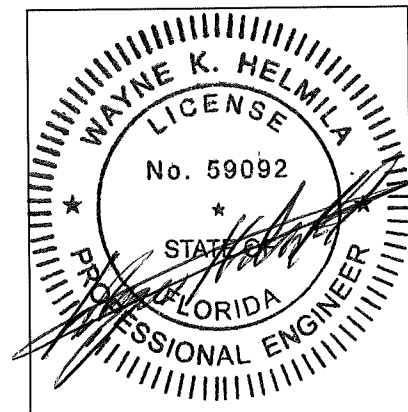
DETAIL B

PRODUCT REVISED
as complying with the Florida
Building Code
NOA-No. 22-0729.04
Expiration Date 08/10/2027
By *[Signature]*
Miami-Dade Product Control



FASTENER PAIR

A



PennBarry 605 Shiloh RD Plano, TX 75074

**DYNAMO
BELT DRIVE MODELS
BELT DRIVE BOM - EXPLODED VIEW**

DRAWN:	DWG NO.	REV
IC	24553-0	B
SCALE	DATE	SHEET
NTS	10/31/2018	3 OF 14

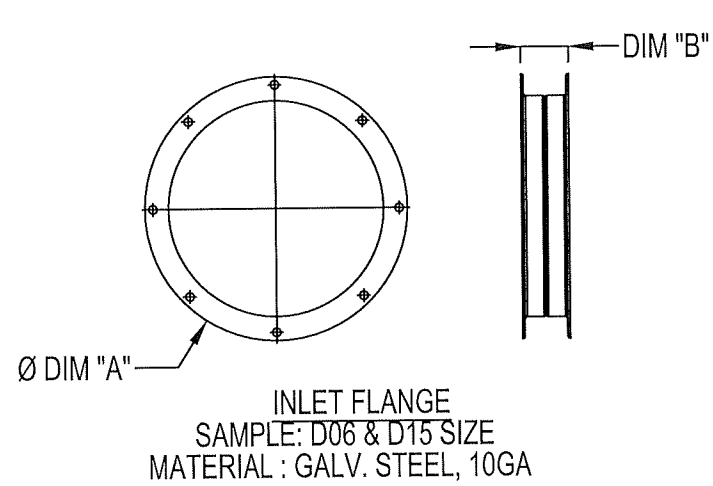
**RICE
ENGINEERING**
105 School Creek Trail
Luxemburg, WI 54217
Phone 920-617 1042
Fax 920-617-1100
www.rice-inc.com

Florida Firm No. F-0100005081
Certificate of Authorization #9090
Wayne K. Helmila
Registration No. 59092

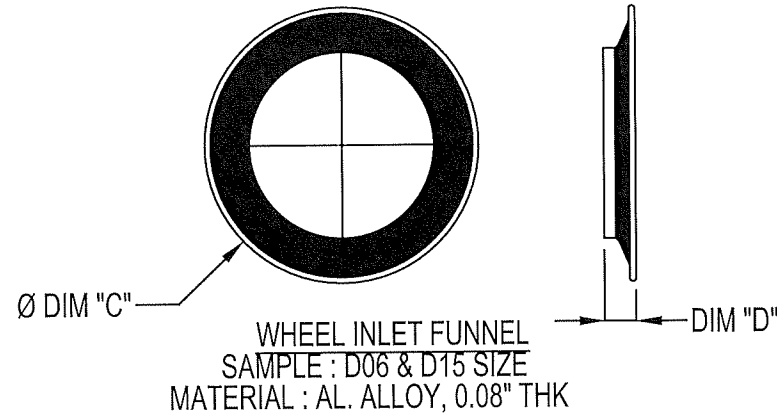
NOTES:
SAMPLE SHOWN FOR D06 & D15 BELT DRIVE DYNAMO

AUG 24 2022

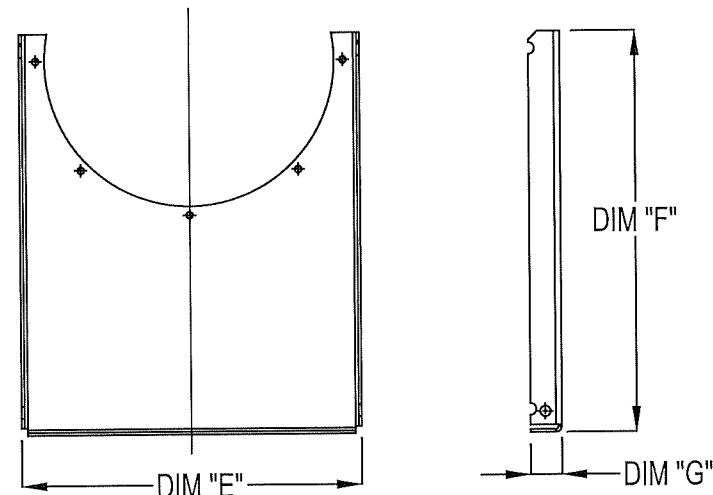
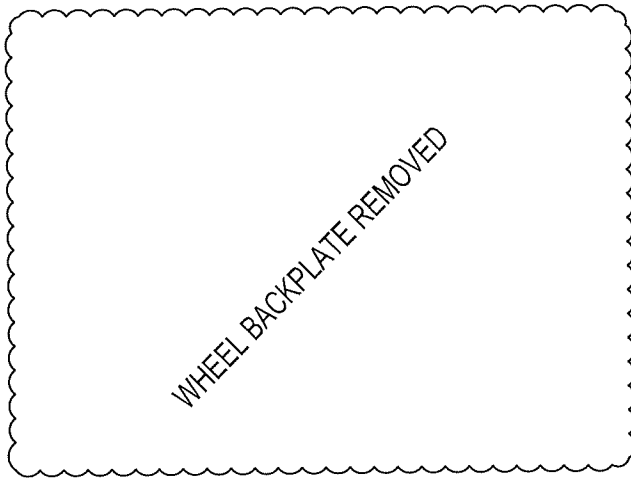
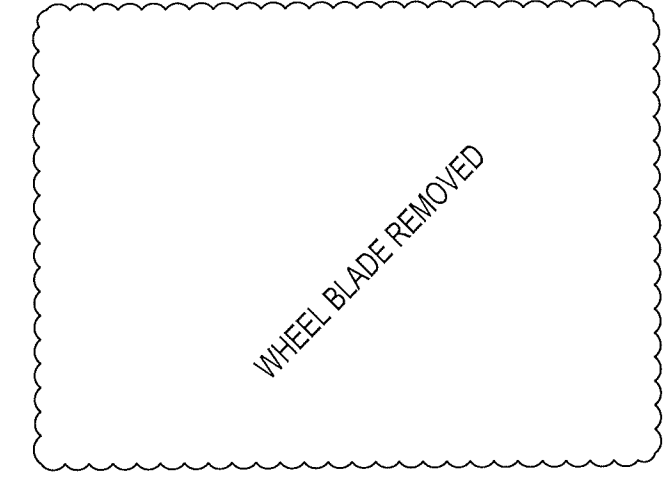
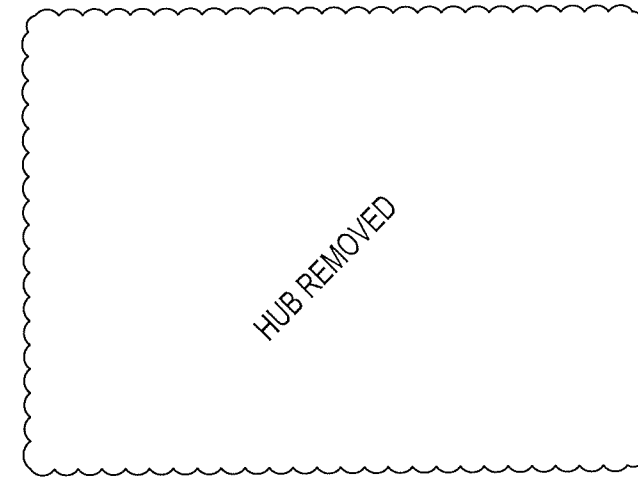
REVISIONS			
REV.	DESCRIPTION	DATE	APPROVED
D	REVISIONS PER MARKUPS	05/29/2019	-



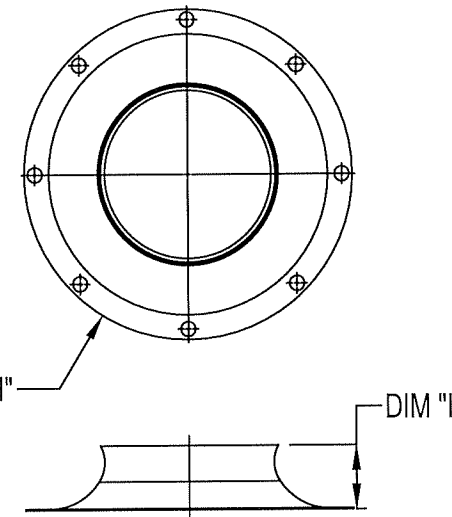
INLET FLANGE
SAMPLE: D06 & D15 SIZE
MATERIAL: GALV. STEEL, 10GA



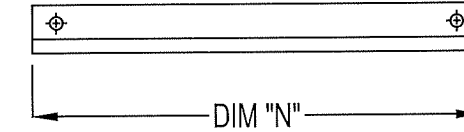
WHEEL INLET FUNNEL
SAMPLE: D06 & D15 SIZE
MATERIAL: AL. ALLOY, 0.08" THK



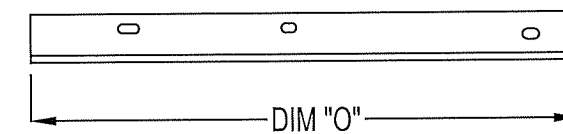
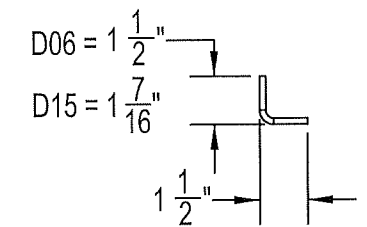
VERTICAL SUPPORT
SAMPLE: D06 & D15 SIZE
MATERIAL: GALV. STEEL, 14GA



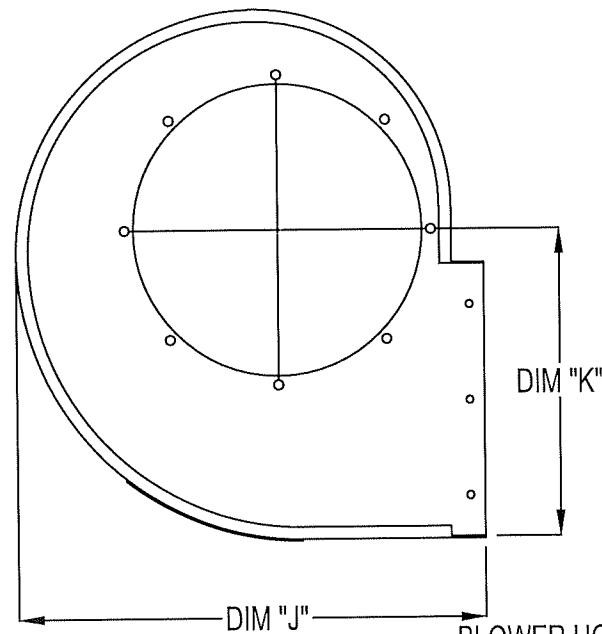
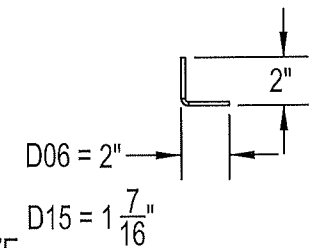
SPUN VENTURI
SAMPLE: D06 & D15 SIZE
MATERIAL: AL. ALLOY, 0.05" THK



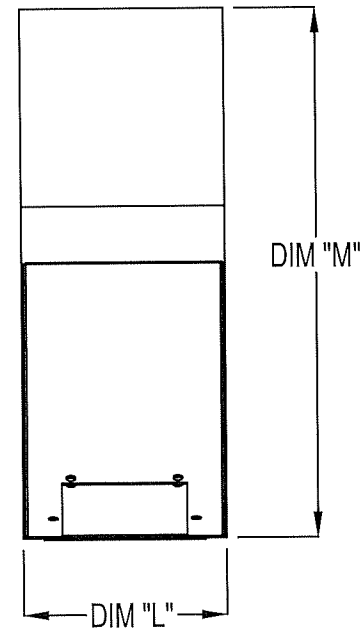
BEARING SUPPORT ANGLE
SAMPLE: D06 & D15 SIZE
MATERIAL: GALV. STEEL, 10GA



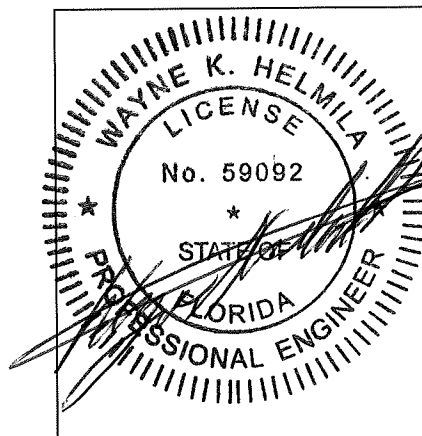
BASE ANGLE
SAMPLE: D06 & D15 SIZE
MATERIAL: GALV. STEEL, 10GA



BLOWER HOUSING
SAMPLE: D06 SIZE
MATERIAL: GALV. STEEL, 16 GA
D15 = 14 GA



PRODUCT REVISED
as complying with the Florida
Building Code
NOA-No. 22-0729.04
Expiration Date 08/10/2027
By *[Signature]*
Miami-Dade Product Control



PennBarry 605 Shiloh RD Plano, TX 75074

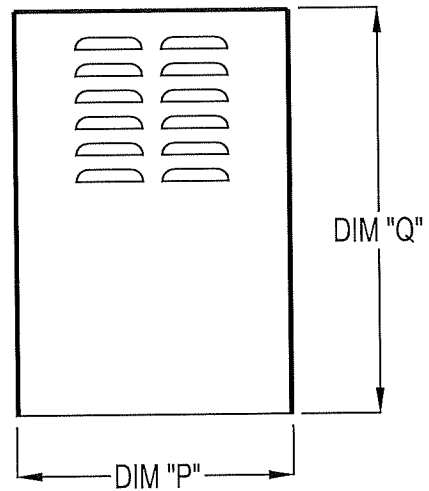
**DYNAMO
BELT DRIVE MODELS
INDIVIDUAL PARTS DETAIL**

DRAWN: IC	DWG NO. 24553-0	REV B
SCALE NTS	DATE 10/31/2018	SHEET 4 OF 14

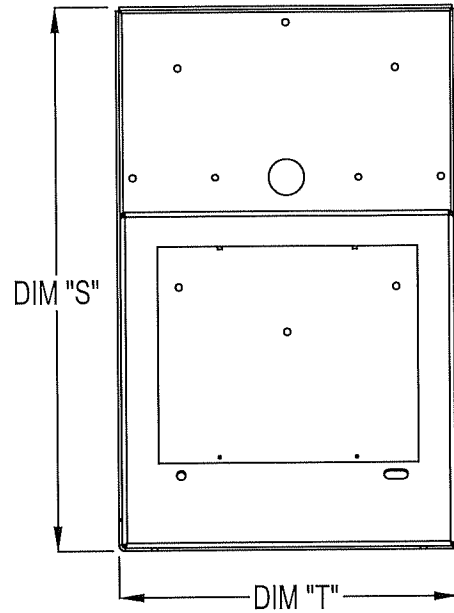
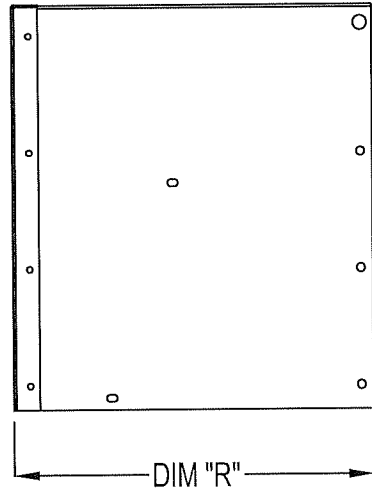
**RICE
ENGINEERING**
105 School Creek Trail
Luxemburg, WI 54217
Phone 920-617 1042
Fax 920-617-1100
www.rice-inc.com
Florida Firm No. F-01000005081
Certificate of Authorization #9090
Wayne K. Helmila
Registration No. 59092

AUG 24 2022

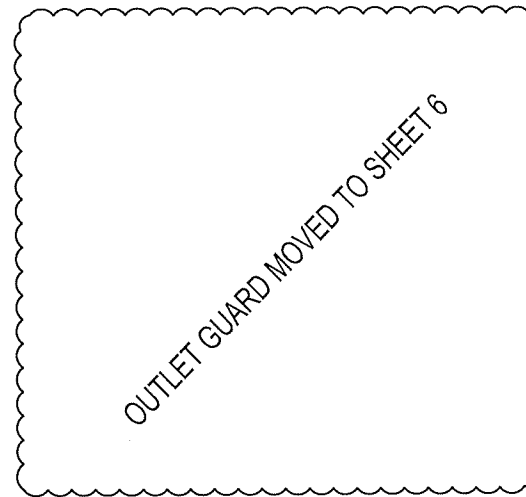
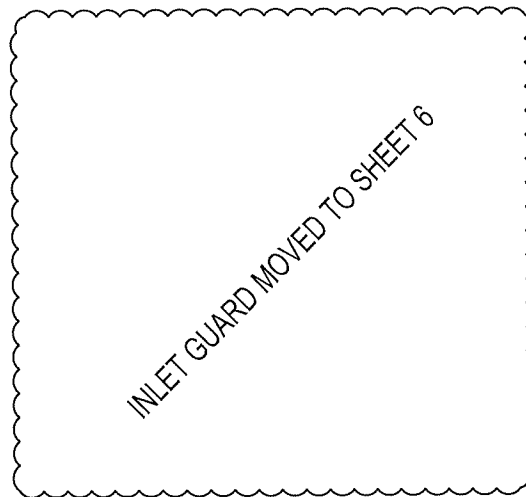
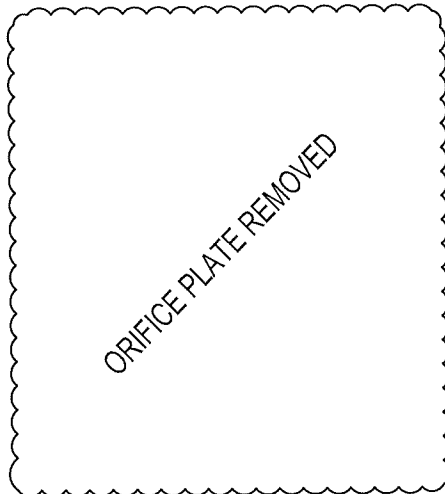
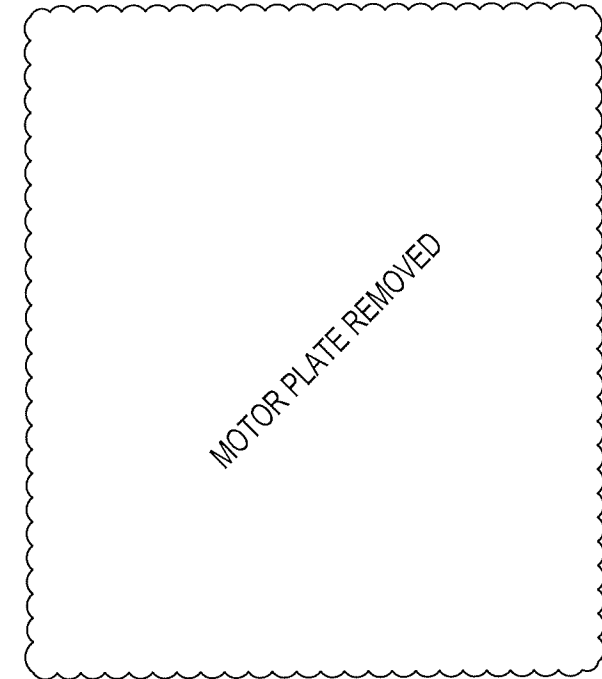
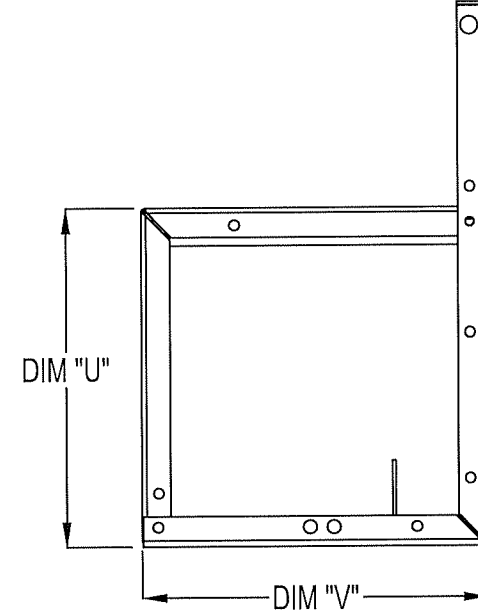
REVISIONS			
REV.	DESCRIPTION	DATE	APPROVED
D	REVISIONS PER MARKUPS	05/29/2019	-




WEATHER COVER
 SAMPLE : D06 & D15 SIZE
 MATERIAL : GALV. STEEL, 18GA

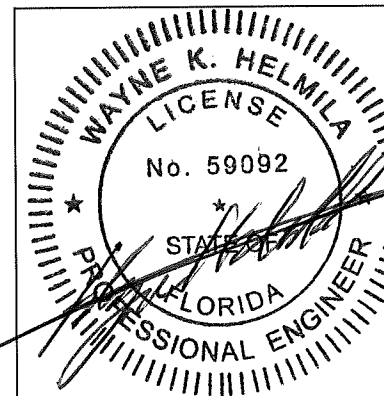
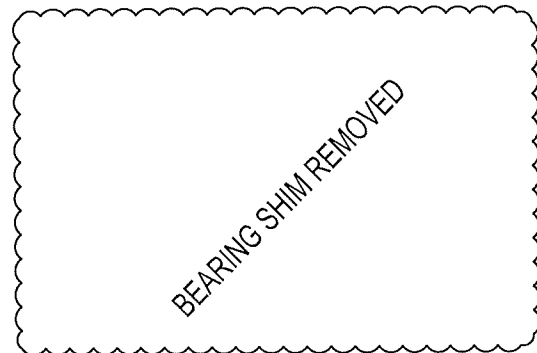


MOTOR MOUNT ASSEMBLY
 SAMPLE : D06 & D15 SIZE
 MATERIAL : GALV. STEEL, 14GA



PRODUCT REVISED
 as complying with the Florida
 Building Code
 NOA-No. 22-0729.04
 Expiration Date 08/10/2027
 By 
 Miami-Dade Product Control

NOTES:
 1. INLET & OUTLET GUARD DETAILS ON SHEET 6.



PennBarry 605 Shiloh RD Plano, TX 75074

**DYNAMO
 BELT DRIVE MODELS
 INDIVIDUAL PARTS DETAIL**

DRAWN: IC	DWG NO. 24553-0	REV B
SCALE NTS	DATE 10/31/2018	SHEET 5 OF 14

RICE
ENGINEERING
 105 School Creek Trail
 Luxemburg, WI 54217
 Phone 920-617 1042
 Fax 920-617-1100
 www.rice-inc.com
 Florida Firm No. F-01000005081
 Certificate of Authorization #9090
 Wayne K. Helmila
 Registration No. 59092

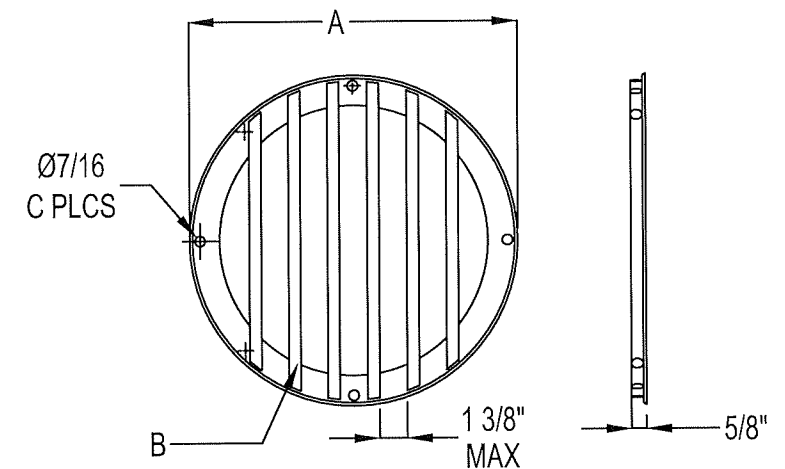
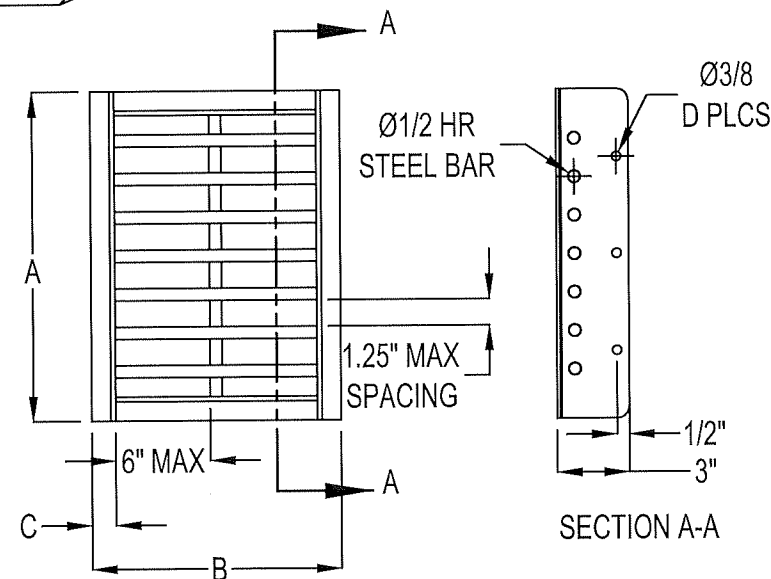
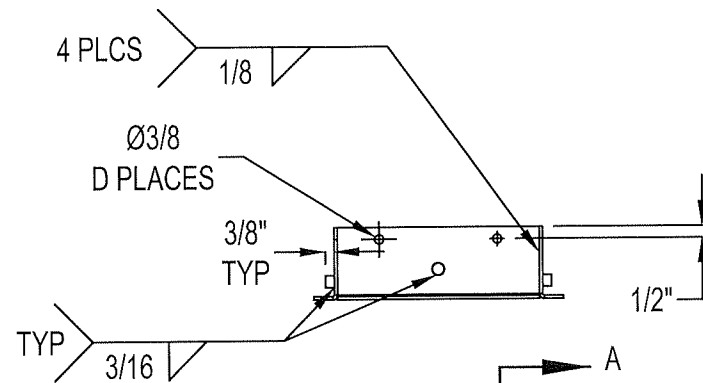
AUG 24 2022

REVISIONS			
REV.	DESCRIPTION	DATE	APPROVED
D	REVISIONS PER MARKUPS	05/29/2019	-

PRODUCT REVISED
as complying with the Florida
Building Code
NOA-No. 22-0729.04
Expiration Date 08/10/2027
By *[Signature]*
Miami-Dade Product Control

OUTLET GUARD CHART

UNIT SIZE	A	B	C	D	FASTENER TYPE	FASTENER QTY
D06	13.56	10.47	1.00	2	5/16-18 X 1.00" HH BOLT	10
D07						
D08						
D10						
D12	14.28	12.56	1.00	2	5/16-18 X 1.00" HH BOLT	10
D13	16.66	12.72	1.00	2	5/16-18 X 1.00" HH BOLT	10
D15	18.05	13.88	1.00	2	5/16-18 X 1.00" HH BOLT	10
D16	19.80	15.00	1.00	2	5/16-18 X 1.00" HH BOLT	10
D18	22.22	16.88	1.25	3	5/16-18 X 1.00" HH BOLT	12

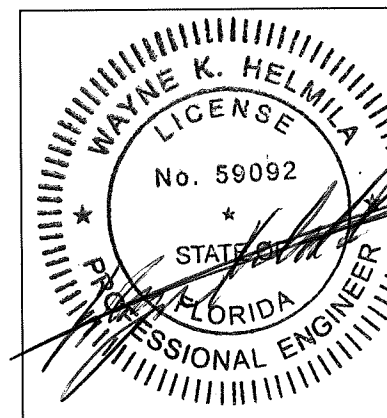


OUTLET GUARD
SAMPLE : D06 & D15 SIZE
MATERIAL : GALV. STEEL, 10 GA

INLET GUARD
SAMPLE : D06 SIZE
MATERIAL : GALV. STEEL, 10GA
D15 = 12GA

NOTES: INLET GUARD CHART
1. INLET GUARD REQUIRED ONLY WHEN UNIT HAS UNDUCTED INLET.

UNIT SIZE	A	B	C	FASTENER TYPE	FASTENER QTY
D06	13.75	11.25	4	5/16-18 X 1.00" HH BOLT	4
D07					
D08					
D10					
D12	15.5	13	4	5/16-18 X 1.00" HH BOLT	4
D13	16.5	14	4	5/16-18 X 1.00" HH BOLT	4
D15	18.25	15.75	8	5/16-18 X 1.00" HH BOLT	8
D16	19.75	17.25	8	5/16-18 X 1.00" HH BOLT	8
D18	22	19	8	5/16-18 X 1.00" HH BOLT	8



PennBarry 605 Shiloh RD Plano, TX 75074

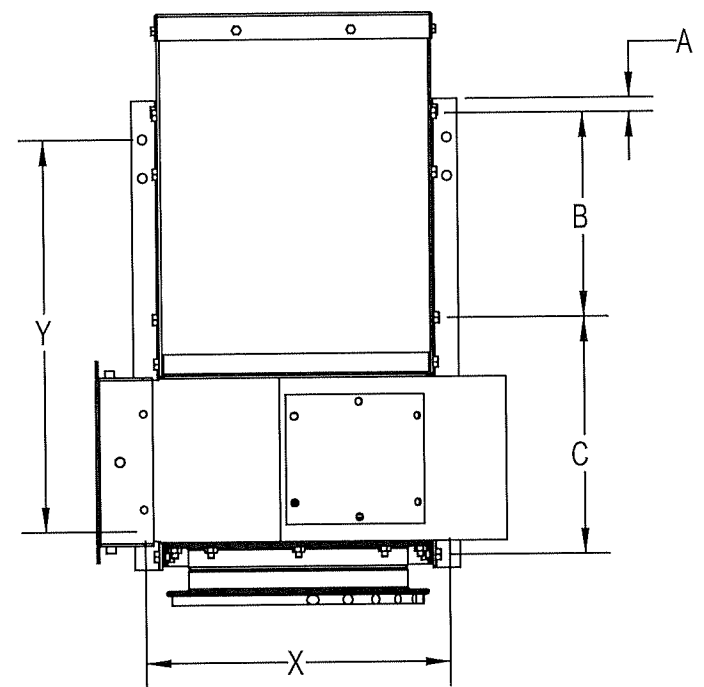
**DYNAMO
BELT DRIVE MODELS
INLET GUARD DETAIL**

DRAWN: IC	DWG NO. 24553-0	REV B
SCALE NTS	DATE 10/31/2018	SHEET 6 OF 14

**RICE
ENGINEERING**
105 School Creek Trail
Luxemburg, WI 54217
Phone 920-817 1042
Fax 920-617-1100
www.rico-inc.com
Florida Firm No. F-01000005081
Certificate of Authorization #9090
Wayne K. Helmila
Registration No. 59092

AUG 24 2022

TOP VIEW
ANCHOR PLACEMENT

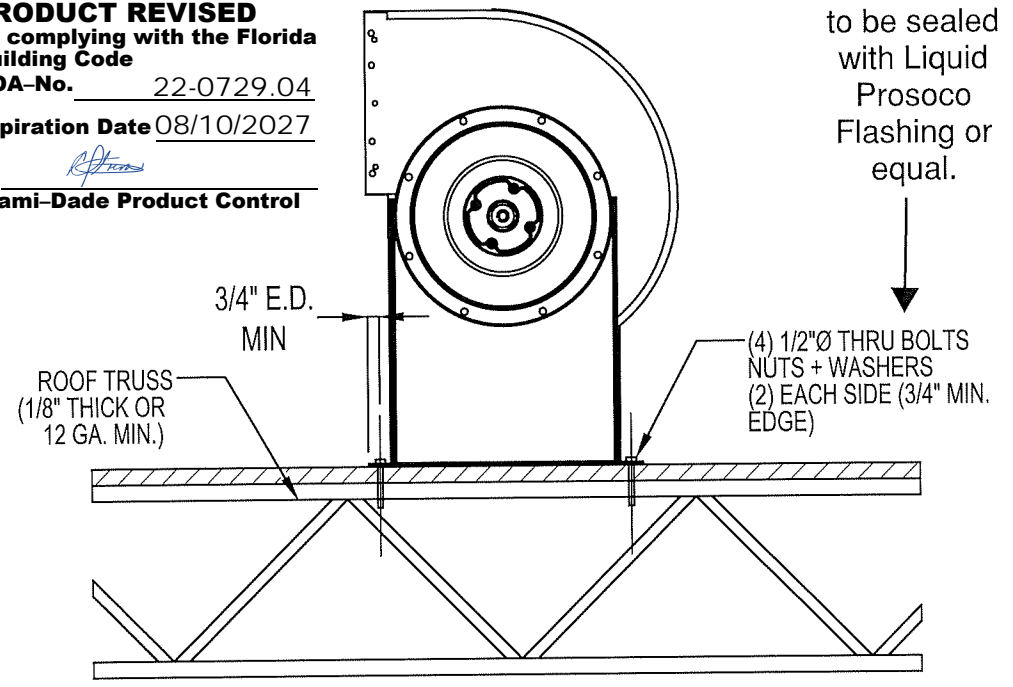


REVISIONS			
REV.	DESCRIPTION	DATE	APPROVED
D	REVISIONS PER MARKUPS	05/29/2019	-

	ROOF CURB TO ROOF DECK ANCHORS				
	X	Y	CONCRETE ROOF	WOOD ROOF	STEEL ROOF
			No. OF ANCHORS	No. OF ANCHORS	No. OF ANCHORS
D06	15.96	20.375	4 (2 PER SIDE)	4 (2 PER SIDE)	4 (2 PER SIDE)
D07					
D08					
D10					
D12	18.95	22.50	4 (2 PER SIDE)	4 (2 PER SIDE)	4 (2 PER SIDE)
D13	18.95	22.50	4 (2 PER SIDE)	4 (2 PER SIDE)	4 (2 PER SIDE)
D15	21.04	22.50	4 (2 PER SIDE)	4 (2 PER SIDE)	4 (2 PER SIDE)

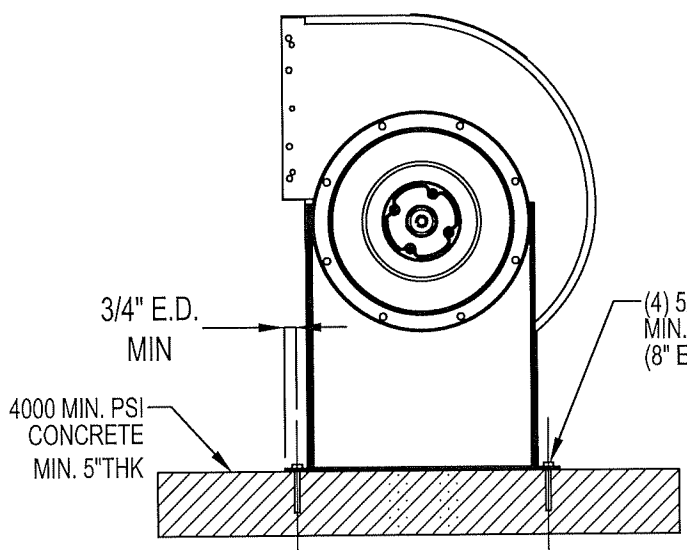
	FAN BASE ANGLE BOLTS				
	A	B	C	BOLT TYPE	No. OF BOLTS
D06	0.625	10.82	12.31	3/8-16 X 3/4	6 (3 PER SIDE)
D07					
D08					
D10					
D12	0.625	11.31	13.94	3/8-16 X 3/4	6 (3 PER SIDE)
D13	0.625	11.31	13.94	3/8-16 X 3/4	6 (3 PER SIDE)
D15	0.625	12.63	15.44	3/8-16 X 3/4	6 (3 PER SIDE)

PRODUCT REVISED
as complying with the Florida
Building Code
NOA-No. 22-0729.04
Expiration Date 08/10/2027
By *[Signature]*
Miami-Dade Product Control



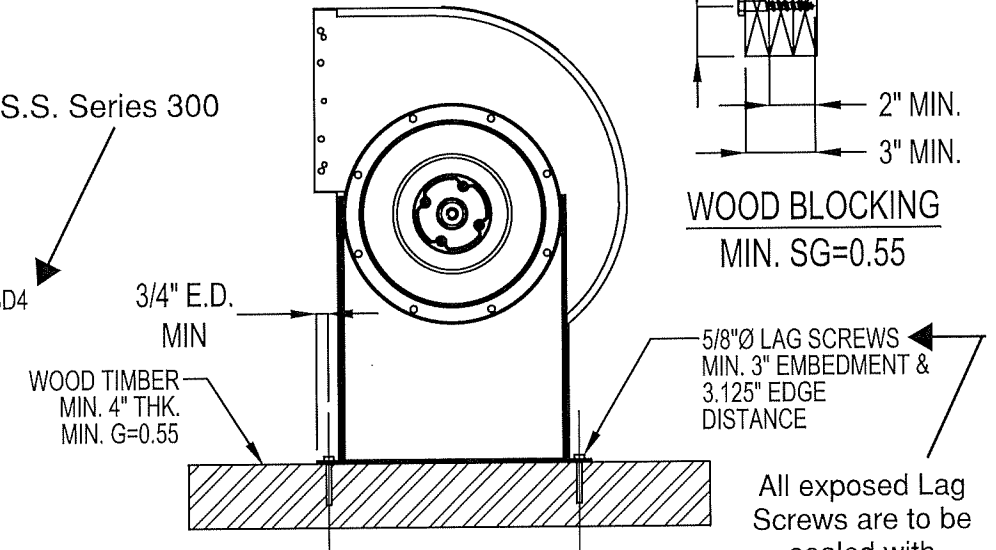
STEEL ANCHORING

All exposed
Thru Bolts are
to be sealed
with Liquid
Prosoco
Flashing or
equal.



CONCRETE DECK ANCHORING

S.S. Series 300

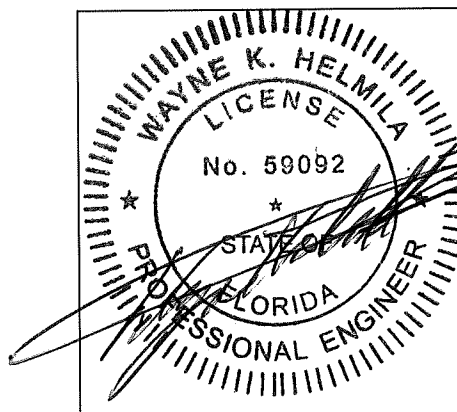


WOOD ANCHORING

All exposed Lag
Screws are to be
sealed with
Liquid Prosoco
Flashing or
equal.

DIRECT MOUNT

- NOTES:
- ANCHORING POSITIONS FOR METAL, WOOD, AND CONCRETE DECK ARE THE SAME.
 - REFER TO NOTES 6, 7, 7.1, & 8 ON SHEET 1 FOR THE TYPE OF ANCHORS FOR STEEL, CONCRETE AND WOOD ROOF.



PennBarry 605 Shiloh RD Plano, TX 75074

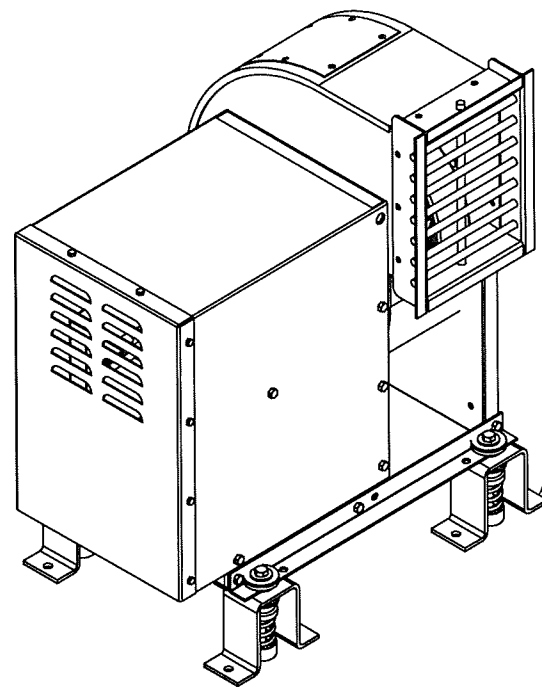
DYNAMO
BELT DRIVE MODELS
INSTALLATION DETAILS

DRAWN:	IC	DWG NO.	24553-0	REV	B
SCALE:	NTS	DATE:	10/31/2018	SHEET:	7 OF 14

RICE
ENGINEERING
105 School Creek Trail
Luxemburg, WI 54217
Phone 920-617 1042
Fax 920-617-1100
www.rice-inc.com

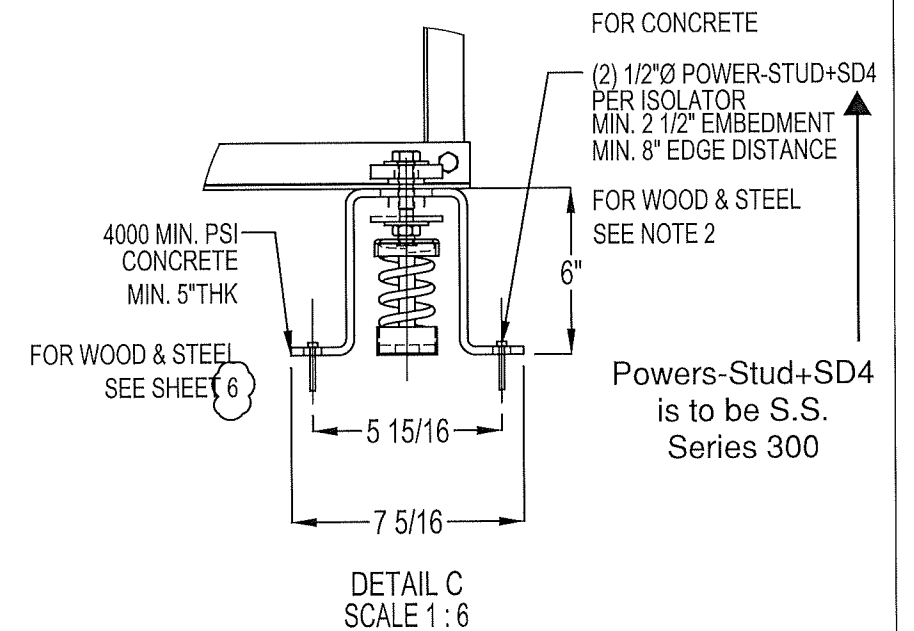
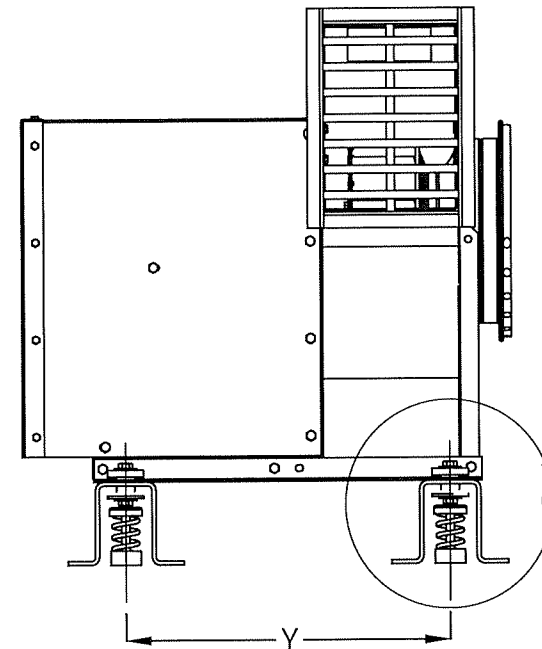
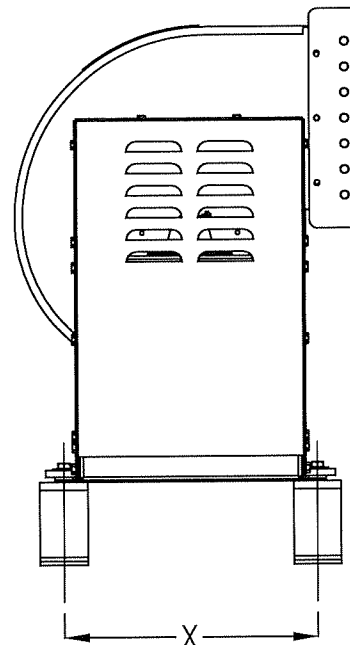
Florida Firm No. F-01000005081
Certificate of Authorization #9090
Wayne K. Helmila
Registration No. 59092

REVISIONS			
REV.	DESCRIPTION	DATE	APPROVED
D	REVISIONS PER MARKUPS	05/29/2019	-



SPRING ISOLATOR ANCHORING

2 ANCHORS PER ISOLATOR

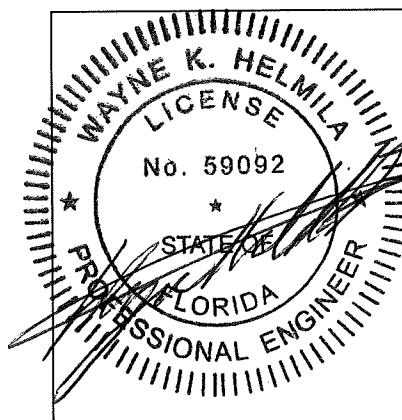


NOTES:

1. PART NUMBERS OF SPRING ISOLATORS ARE SHOWN IN THE TABLE.
2. ANCHORING POSITIONS FOR METAL AND WOOD DECK ARE SAME, WITH 2 ANCHORS PER ISOLATOR.
3. REFER TO NOTES 6, 7, 7.1, & 8 ON SHEET 1 FOR THE TYPE OF ANCHORS FOR STEEL, CONCRETE AND WOOD ROOF.
4. ALL ISOLATORS IN TABLE AT LEFT HAVE SAME DIMENSIONS, SHOWN IN DETAIL C.

BELT DRIVE MODELS			
SIZE	X	Y	SPRING ISOLATORS (QTY)
D06	15.96	20.375	50830-0 (4)
D07			
D08			
D10	18.95	22.50	50831-0 (4)
D12			
D13			
D15	21.04	22.50	50831-0 (4)

PRODUCT REVISED
as complying with the Florida
Building Code
NOA-No. 22-0729.04
Expiration Date 08/10/2027
By *[Signature]*
Miami-Dade Product Control



AUG 24 2022

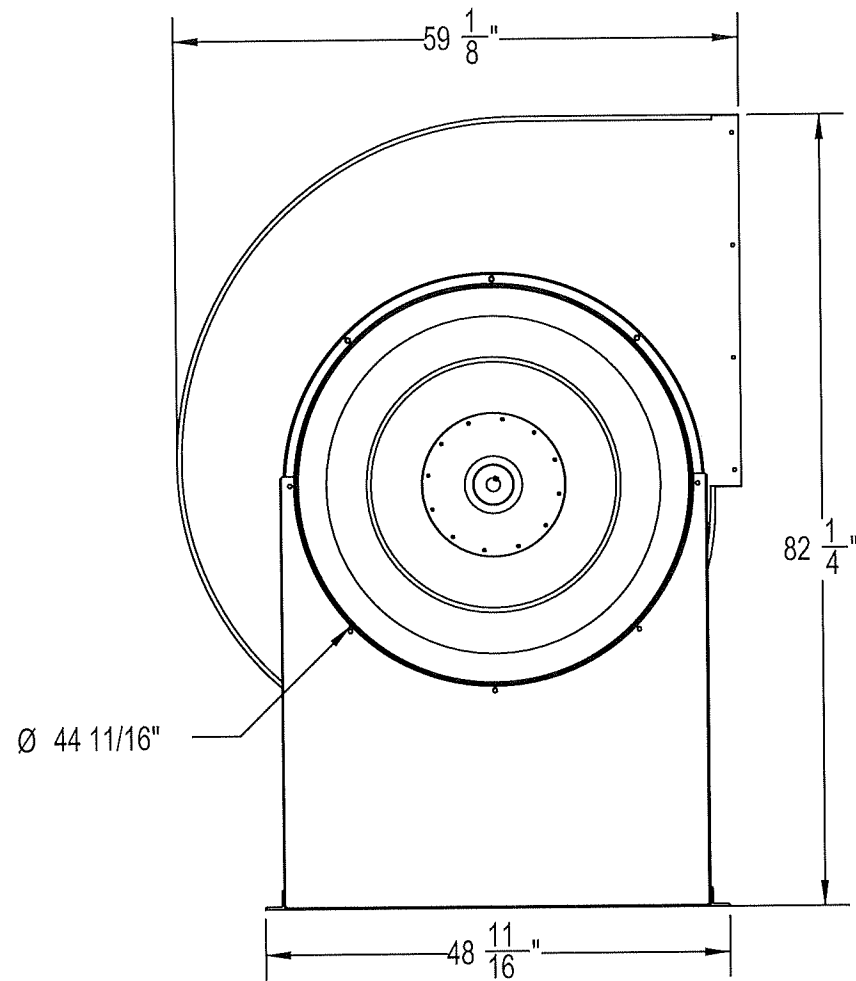
PennBarry 605 Shiloh RD Plano, TX 75074

**DYNAMO
BELT DRIVE MODELS
INSTALLATION DETAILS**

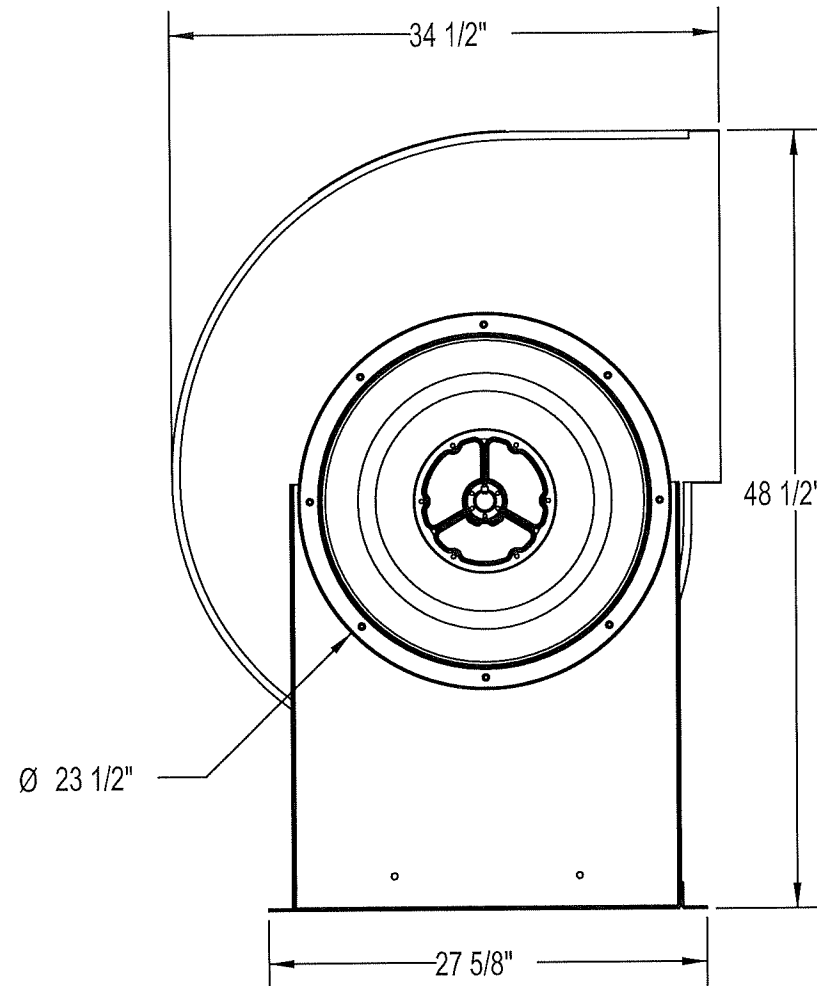
DRAWN: IC	DWG NO. 24553-0	REV B
SCALE NTS	DATE 10/31/2018	SHEET 8 OF 14

RICE
ENGINEERING
105 School Creek Trail
Luxemburg, WI 54217
Phone 920-617 1042
Fax 920-617-1100
www.rice-inc.com
Florida Firm No. F-0100005081
Certificate of Authorization #9090
Wayne K. Helmila
Registration No. 59092

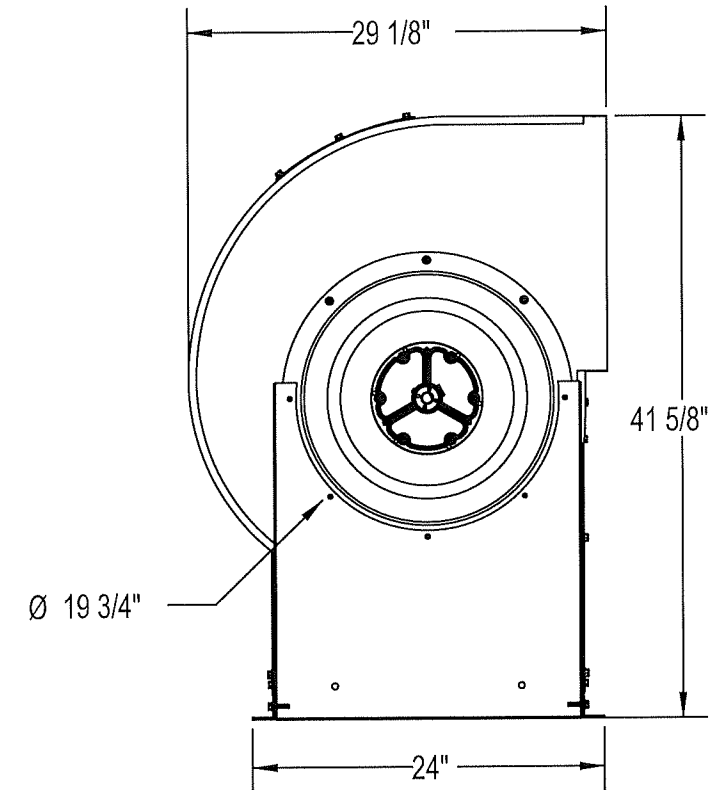
REVISIONS			
REV.	DESCRIPTION	DATE	APPROVED
D	REVISIONS PER MARKUPS	05/29/2019	-



D36 DYNAMO BELT DRIVE
ELEVATION VIEW



D20 DYNAMO BELT DRIVE
ELEVATION VIEW



D16 DYNAMO BELT DRIVE
ELEVATION VIEW

PRODUCT REVISED
as complying with the Florida
Building Code
NOA-No. 22-0729.04

Expiration Date 08/10/2027

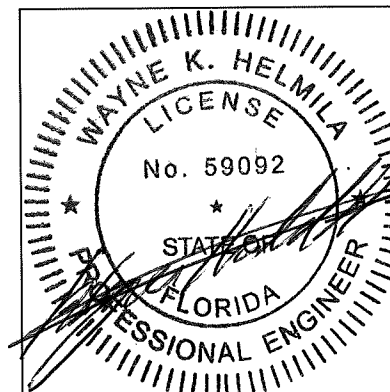
By *[Signature]*
Miami-Dade Product Control

NOTES:

1. LENGTH OF BELT DRIVE MODELS ARE CONSIDERING WEATHER COVER ASSEMBLED FOR ALL MODELS.
2. WIDTH OF BELT DRIVES MODELS ARE WITHOUT BASE ANGLES SUPPORTS FOR ALL MODELS.
3. LENGTH OF DIRECT DRIVE MODELS ARE CONSIDERING WEATHER COVER ASSEMBLED FOR ALL MODELS.
4. WIDTH OF DIRECT DRIVE MODELS ARE WITH BASE ANGLES SUPPORTS FOR ALL MODELS

DESIGN PRESSURE RATING	IMPACT RATING
± 70.0PSF	LARGE AND SMALL MISSILE IMPACT

BELT DRIVE MODELS					
NAME	LENGTH	WIDTH	HEIGHT	WEIGHT	SPRING ISOLATOR MODELS
D16	34-1/2	29-1/8	41-5/8	194	50819-0
D18	39-1/8	32-3/8	45-5/8	274	50820-0
D20	44-3/4	34-1/2	48-1/2	312	50821-0
D22	47	37-5/8	54	351	
D24	49	40-7/8	59-3/8	462	50822-0
D30	60	51-7/8	72-1/2	875	
D36	65-1/8	59-1/8	82-1/4	1250	50823-0



PennBarry 605 Shiloh RD Plano, TX 75074

DYNAMO BELT DRIVE MODELS ELEVATIONS

DRAWN: IC	DWG NO. 24553-0	REV B
SCALE NTS	DATE 10/31/2018	SHEET 9 OF 14

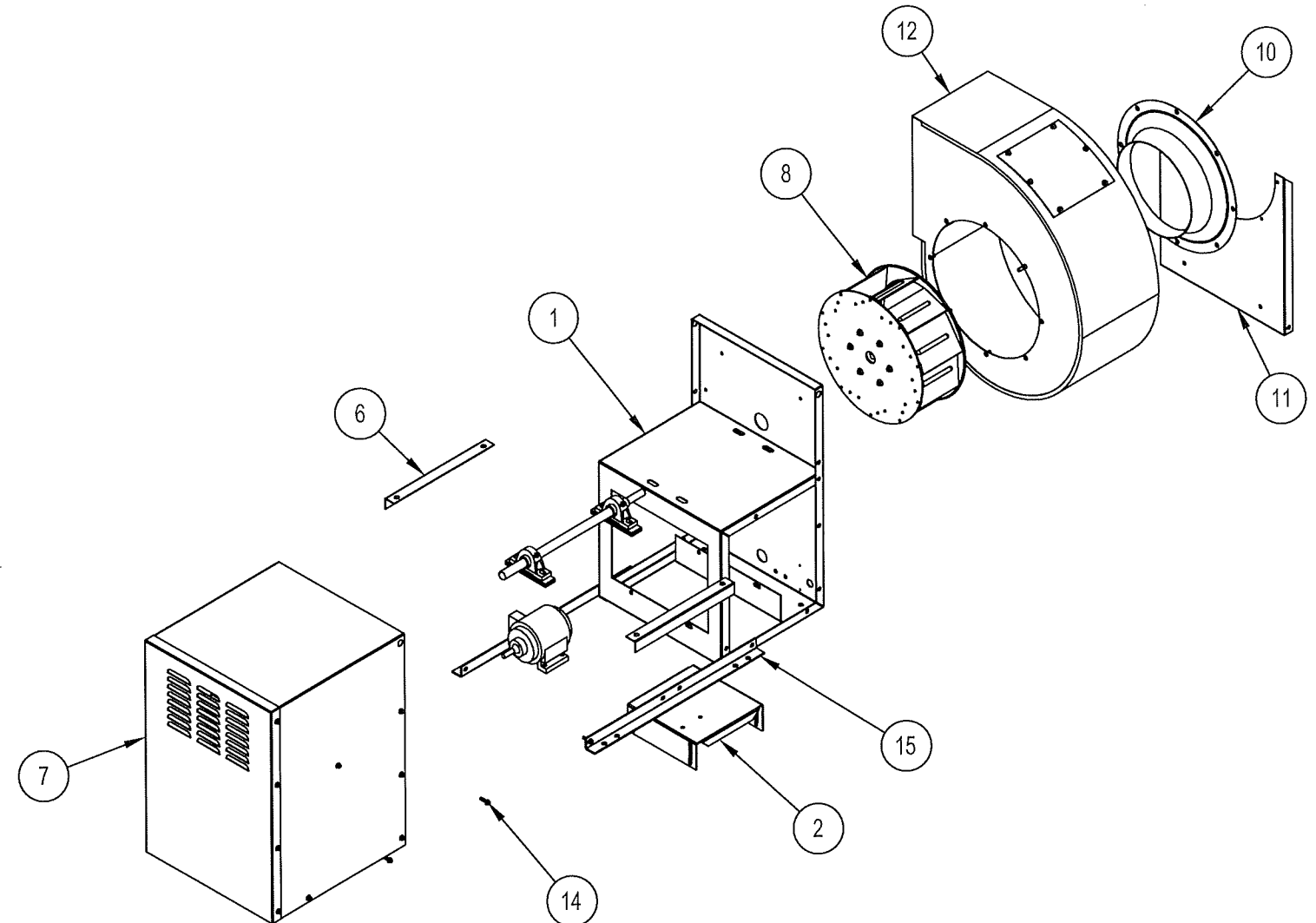
RICE ENGINEERING
105 School Creek Trail
Luxemburg, WI 54217
Phone 920-617 1042
Fax 920-617-1100
www.rice-inc.com

Florida Firm No. F-0100005081
Certificate of Authorization #9090
Wayne K. Helmila
Registration No. 59092

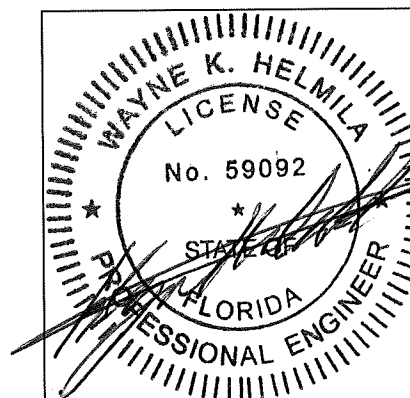
AUG 24 2022

ITEM NO.	PART NUMBER	DESCRIPTION	MANUFACTURER	MATERIAL	D16 DIMS	D20 DIMS	D36 DIMS
					Q = 32 3/8" R = 20 3/4" S = 20 1/8" T = 16"	Q = 37 5/8" R = 24 1/4" S = 23 5/8" T = 20"	Q = 66 3/16" R = 44 5/16" S = 41 3/8" T = 24 5/8"
1	26167-0	MOTOR MOUNT ASSY.	PENNBARRY	GALV. STEEL			
2	10707-0	MOTOR MOUNTING PLATE	PENNBARRY	GALV. STEEL			
3	11210-0	SHAFT BEARING SHIM	PENNBARRY	GALV. STEEL			
4	11210-0	SHAFT BEARING SHIM	PENNBARRY	GALV. STEEL			
5	57091-0	BEARINGS	DODGE	STEEL			
6	10885-1	BEARING SUPPORT ANGLE	PENNBARRY	GALV. STEEL	J = 15 1/2"	J = 19 3/8"	J = 24"
7	10596-0	WEATHER COVER ASSY.	PENNBARRY	GALV. STEEL	N = 21 1/16" O = 20 13/16" P = 30 11/16"	N = 24 9/16" O = 28 9/16" P = 35 15/16"	N = 45 3/16" O = 35 1/16" P = 64 3/8"
8	10010-0	FAN WHEEL ASSY.	PENNBARRY	GALV. STEEL			
9	00000-0	SHAFT	PENNBARRY	GALV. STEEL			
10	58122-0	SPUN VENTURI	PENNBARRY	GALV. STEEL	G = 19 3/4" H = 4 11/16"	G = 23 1/2" H = 5 7/16"	G = 44 11/16" H = 12 1/2"
11	10717-0	SHORT VERTICAL SUPPORT	PENNBARRY	GALV. STEEL	K = 20 3/4" L = 22 13/16" M = 1 1/4"	K = 24 7/16" L = 26 5/8" M = 1 5/8"	K = 44 11/16" L = 44 15/16" M = 1 11/16"
12	16409507	BLOWER HOUSING	PENNBARRY	GALV. STEEL	C = 28 3/4" D = 19 3/16" E = 12" F = 32 15/16"	C = 34 1/2" D = 22 15/16" E = 12 1/16" F = 39 5/16"	C = 59 1/8" D = 38 3/16" E = 28 15/16" F = 66 1/2"
13	D20 - MOTOR	MOTOR	-	-			
14	55634-0	3/8"-16 X 3/4" FLANGED BOLT	-	-			
15	10888-0	BASE ANGLE	PENNBARRY	GALV. STEEL	I = 26 1/2"	I = 36 3/4"	I = 55 1/2"
-	-	MOUNTING RING	PENNBARRY	GALV. STEEL	A = 19 3/4" B = 1 1/4"	A = 23 1/2" B = 1 1/2"	A = 44 1/8" B = 1 1/2"

REVISIONS			
REV.	DESCRIPTION	DATE	APPROVED
D	REVISIONS PER MARKUPS	05/29/2019	



PRODUCT REVISED
as complying with the Florida
Building Code
NOA-No. 22-0729.04
Expiration Date 08/10/2027
By *[Signature]*
Miami-Dade Product Control



PennBarry 605 Shiloh RD Plano, TX 75074

**DYNAMO
BELT DRIVE MODELS
BELT DRIVE BOM - EXPLODED VIEW**

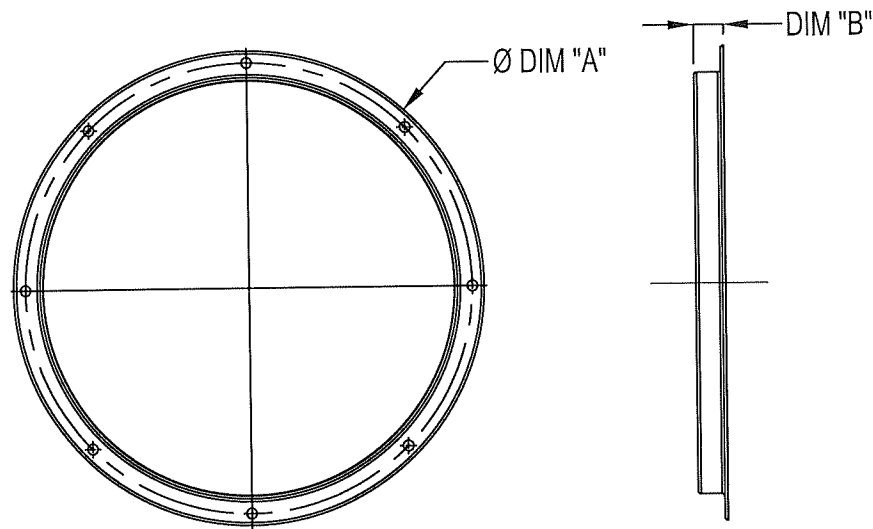
DRAWN: IC	DWG NO. 24553-0	REV B
SCALE NTS	DATE 10/31/2018	SHEET 10 OF 14

**RICE
ENGINEERING**
105 School Creek Trail
Luxemburg, WI 54217
Phone 920-617 1042
Fax 920-617-1100
www.rice-inc.com

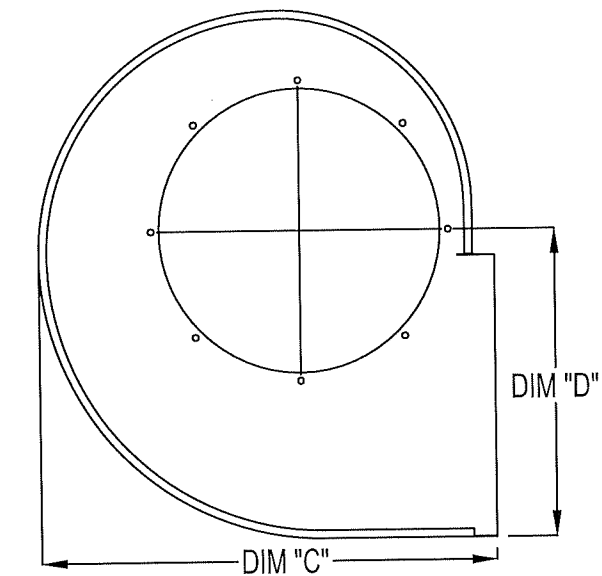
Florida Firm No. F-01000005081
Certificate of Authorization #9090
Wayne K. Helmila
Registration No. 59092

NOTES:
SAMPLE SHOWN FOR D16, D20, & D36 BELT DRIVE DYNAMO

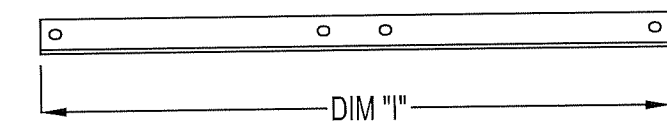
AUG 24 2022



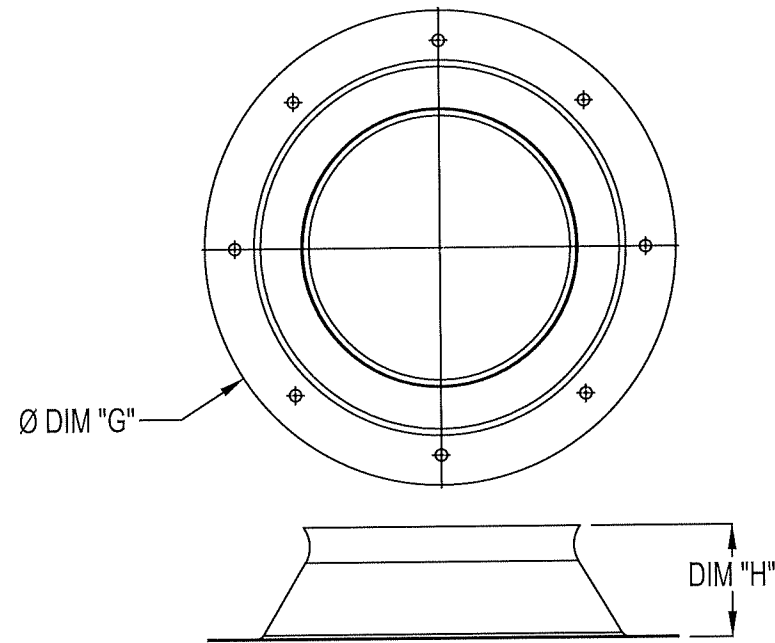
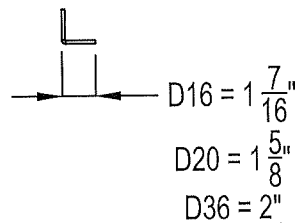
MOUNTING RING
 SAMPLE : D16 & D20 SIZE
 MATERIAL : GALV. STEEL, 10GA
 D36 = HOT ROLLED ANGLE



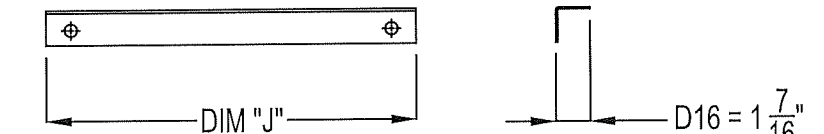
BLOWER HOUSING
 SAMPLE : D16 & D20 SIZE
 MATERIAL : GALV. STEEL, 12GA (PER TEST REPORT)
 D36 = 14GA



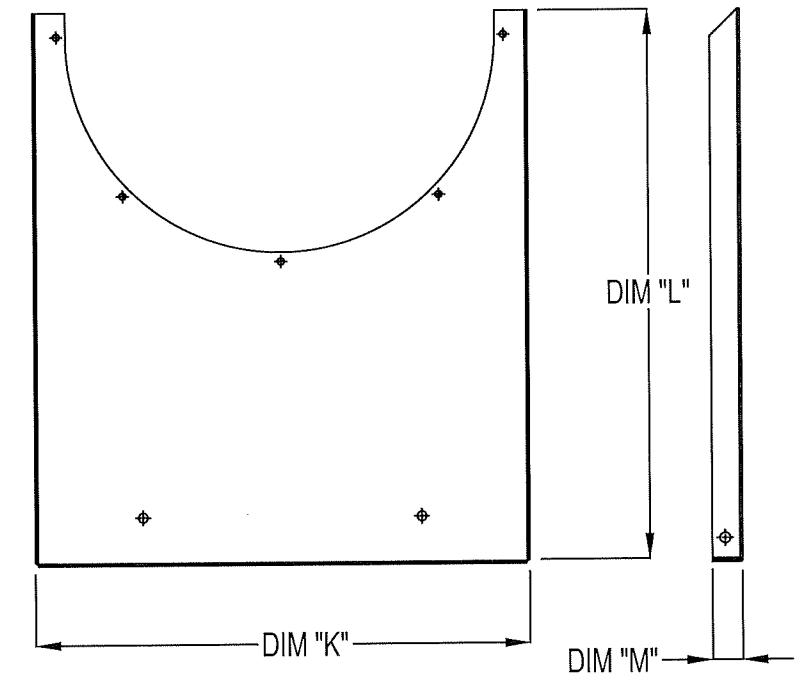
BASE ANGLE
 SAMPLE : D16 SIZE
 MATERIAL : GALV. STEEL, 10GA
 D20 = 8GA, D36 = 1/4" THICK



SPUN VENTURI
 SAMPLE : D16, D20, & D36 SIZE
 MATERIAL : ALLOY STEEL, 0.0625" THK.



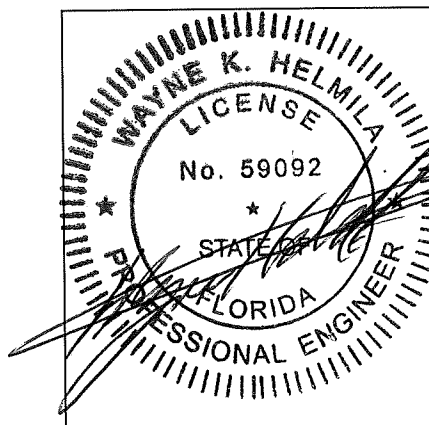
BEARING SUPPORT ANGLE
 SAMPLE : D16 SIZE
 MATERIAL : GALV. STEEL, 10GA
 D20 = 8GA, D36 = 1/4" THICK



VERTICAL SUPPORT
 SAMPLE : D16, D20, & D36 SIZE
 MATERIAL : GALV. STEEL, 12GA

REVISIONS			
REV.	DESCRIPTION	DATE	APPROVED
D	REVISIONS PER MARKUPS	05/29/2019	-

PRODUCT REVISED
 as complying with the Florida
 Building Code
 NOA-No. 22-0729.04
 Expiration Date 08/10/2027
 By *[Signature]*
 Miami-Dade Product Control



PennBarry 605 Shiloh RD Plano, TX 75074

**DYNAMO
 BELT DRIVE MODELS
 INDIVIDUAL PARTS DETAIL**

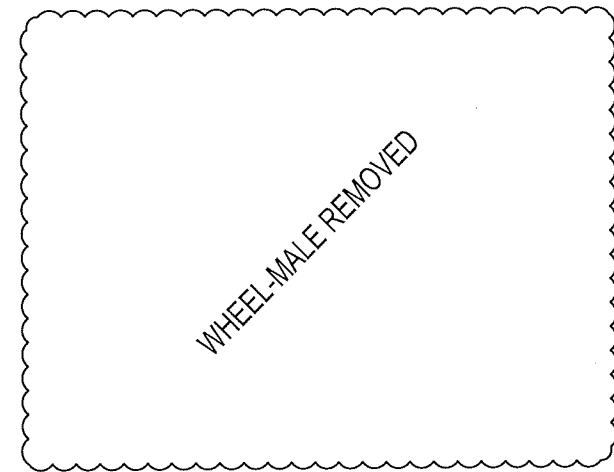
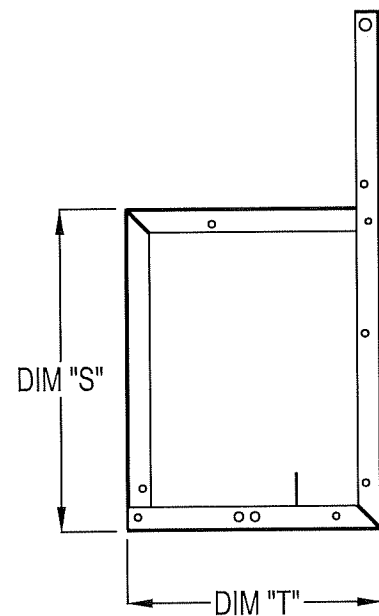
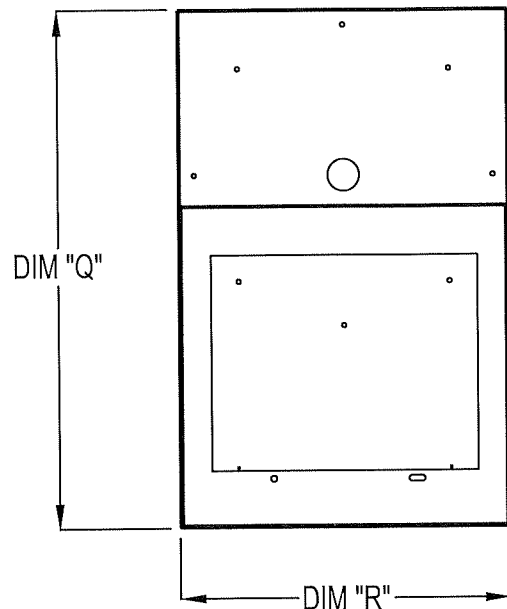
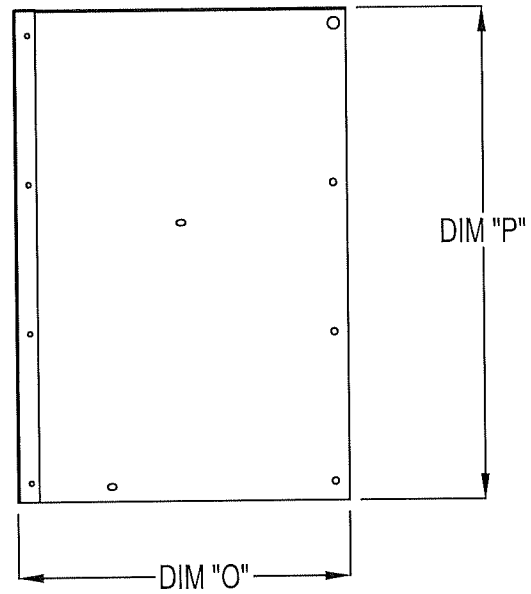
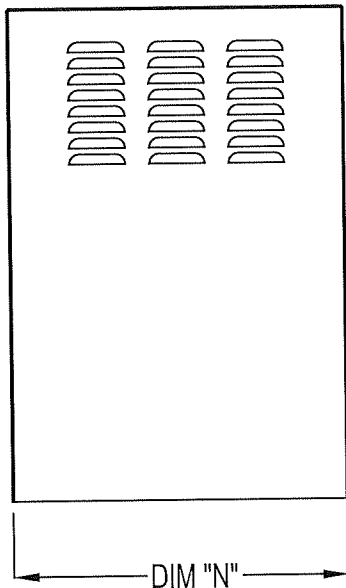
DRAWN:	IC	DWG NO.	24553-0	REV	B
SCALE	NTS	DATE	10/31/2018	SHEET	11 OF 14

RICE
ENGINEERING
 105 School Creek Trail
 Luxemburg, WI 54217
 Phone 920-617 1042
 Fax 920-617-1100
 www.rice-inc.com

Florida Firm No. F-0100005081
 Certificate of Authorization #9090
 Wayne K. Helmila
 Registration No. 59092

AUG 24 2022

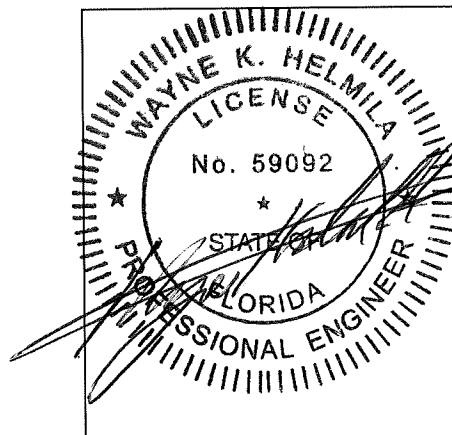
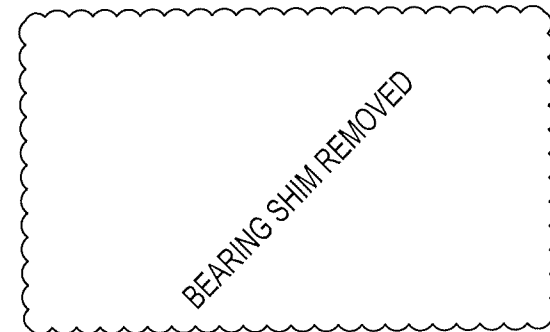
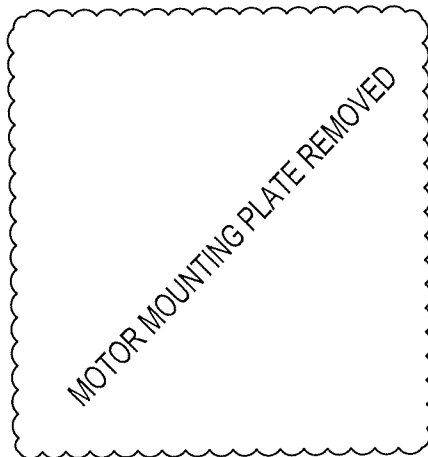
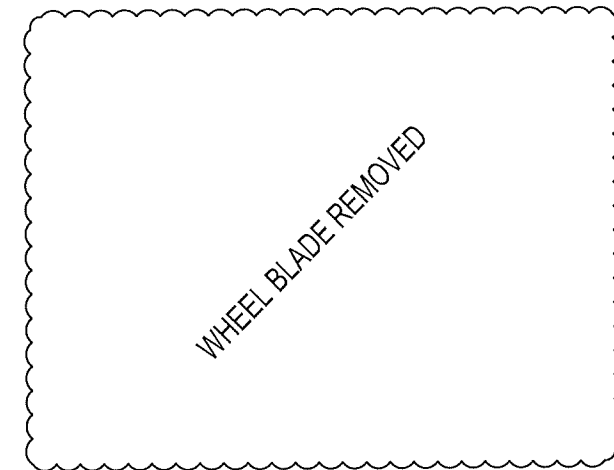
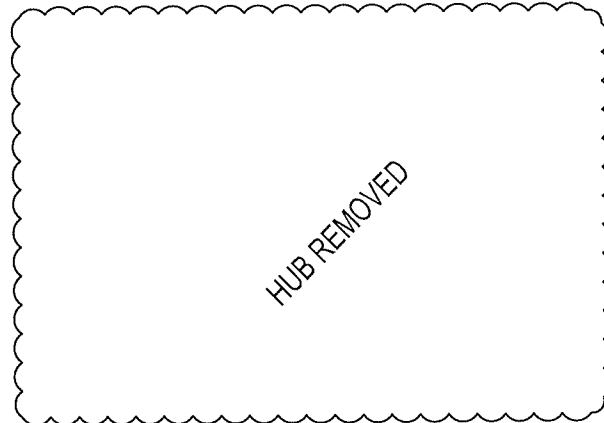
REVISIONS			
REV.	DESCRIPTION	DATE	APPROVED
D	REVISIONS PER MARKUPS	05/29/2019	-



WEATHER COVER ASSY
 SAMPLE : D16, D20, & D36 SIZE
 MATERIAL : GALV. STEEL, 16GA

MOTOR MOUNT ASSY
 SAMPLE : D16, D20, & D36 SIZE
 MATERIAL : GALV. STEEL, 14GA

PRODUCT REVISED
 as complying with the Florida
 Building Code
 NOA-No. 22-0729.04
 Expiration Date 08/10/2027
 By *[Signature]*
 Miami-Dade Product Control



PennBarry 605 Shiloh RD Plano, TX 75074

**DYNAMO
 BELT DRIVE MODELS
 INDIVIDUAL PARTS DETAIL**

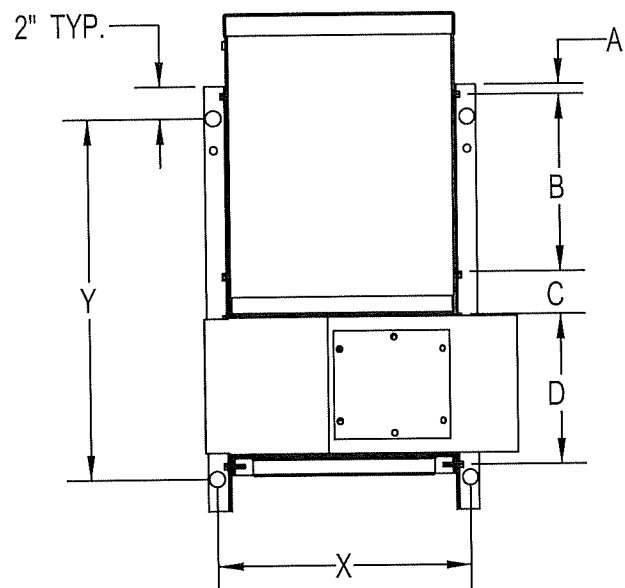
DRAWN: IC	DWG NO. 24553-0	REV B
SCALE NTS	DATE 10/31/2018	SHEET 12 OF 14

RICE
ENGINEERING
 105 School Creek Trail
 Luxemburg, WI 54217
 Phone 920-617 1042
 Fax 920-617-1100
 www.rice-inc.com

Florida Firm No. F-01000005081
 Certificate of Authorization #9090
 Wayne K. Helmila
 Registration No. 59092

AUG 24 2022

TOP VIEW
ANCHOR PLACEMENT

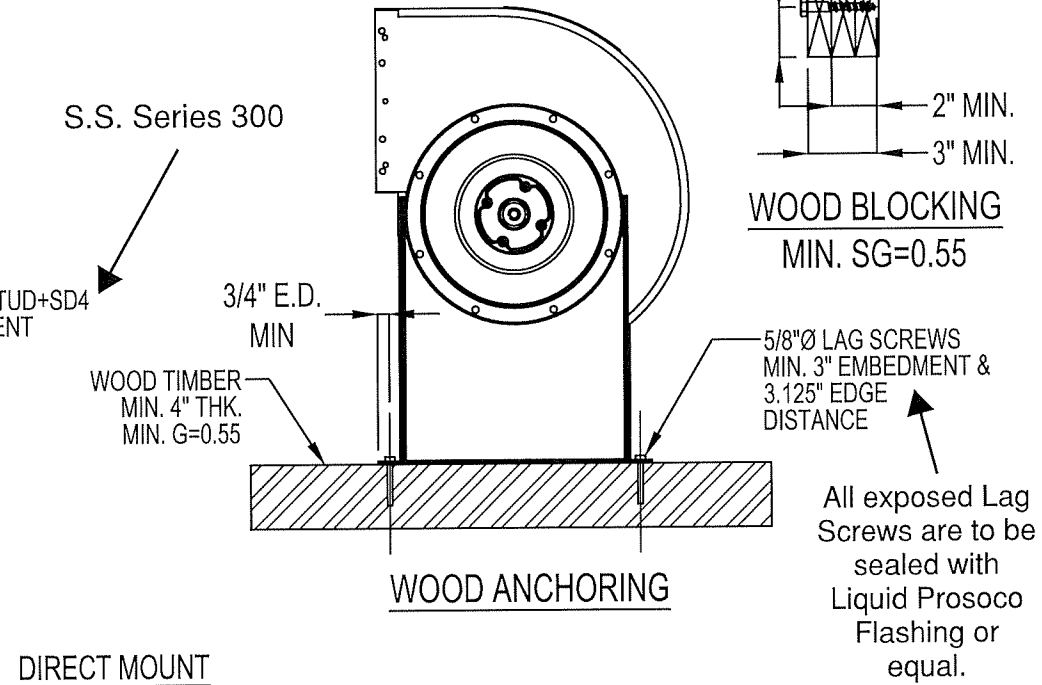
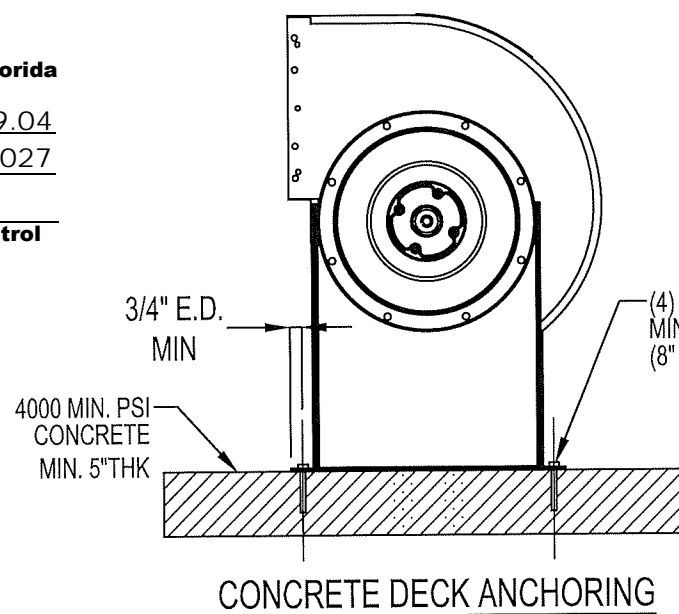
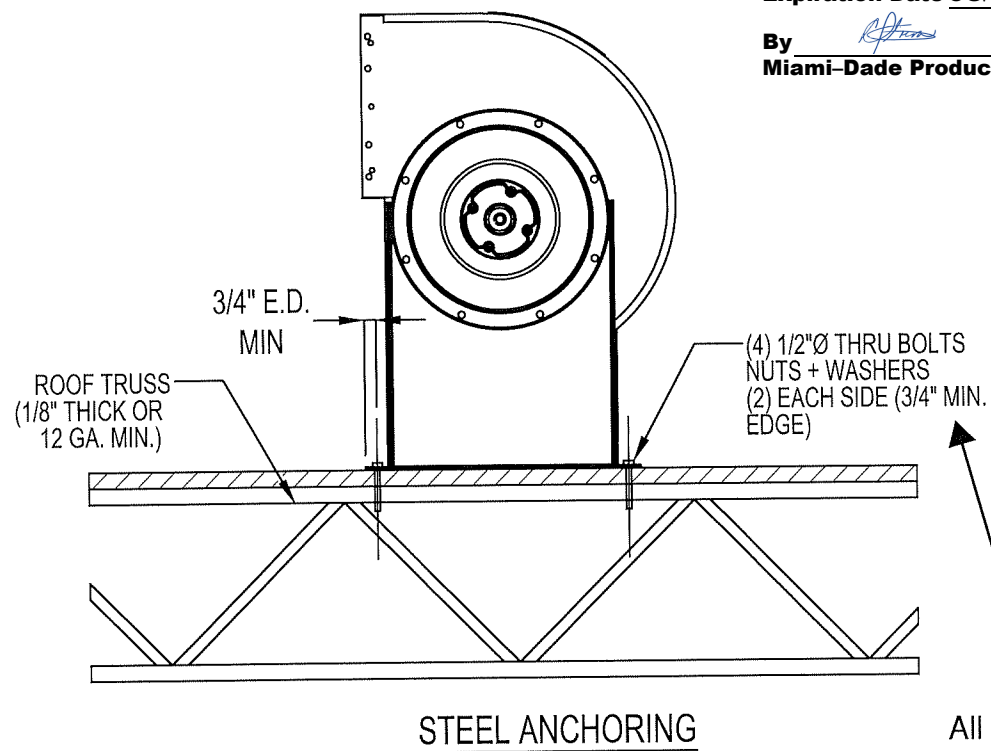


			ROOF CURB TO ROOF DECK ANCHORS		
			CONCRETE ROOF	WOOD ROOF	STEEL ROOF
SIZE	X	Y	No. OF ANCHORS	No. OF ANCHORS	No. OF ANCHORS
D16	20 3/4	28 3/4	4 (2 PER SIDE)	4 (2 PER SIDE)	4 (2 PER SIDE)
D18	22 1/2	32	4 (2 PER SIDE)	4 (2 PER SIDE)	4 (2 PER SIDE)
D20	24 1/4	34 3/4	4 (2 PER SIDE)	4 (2 PER SIDE)	4 (2 PER SIDE)
D22	28	37	4 (2 PER SIDE)	4 (2 PER SIDE)	4 (2 PER SIDE)
D24	29	39	4 (2 PER SIDE)	4 (2 PER SIDE)	4 (2 PER SIDE)
D30	39 3/8	46 3/8	4 (2 PER SIDE)	4 (2 PER SIDE)	4 (2 PER SIDE)
D36	44 3/4	51 1/2	4 (2 PER SIDE)	4 (2 PER SIDE)	4 (2 PER SIDE)

REVISIONS			
REV.	DESCRIPTION	DATE	APPROVED
D	REVISIONS PER MARKUPS	05/29/2019	-

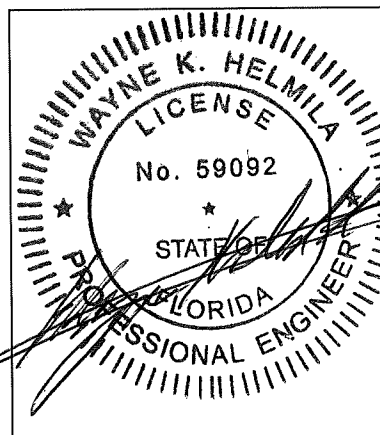
FAN BASE ANGLE BOLTS						
SIZE	A	B	C	D	BOLT TYPE	No. OF BOLTS
D16	0.625	12.4375	-	17	3/8 -16 x 3/4	6(3 PER SIDE)
D18	0.625	14.375	-	18.375	3/8 -16 x 3/4	6(3 PER SIDE)
D20	0.625	15.00	-	20.5	3/8 -16 x 3/4	6(3 PER SIDE)
D22	0.625	16.375	-	21.625	3/8 -16 x 3/4	6(3 PER SIDE)
D24	0.625	15.00	-	24.75	3/8 -16 x 3/4	6(3 PER SIDE)
D30	0.875	18.25	2.75	27.25	3/8 -16 x 3/4	8(4 PER SIDE)
D36	0.875	18.25	2.75	32.75	3/8 -16 x 3/4	8(4 PER SIDE)

PRODUCT REVISED
as complying with the Florida
Building Code
NOA-No. 22-0729.04
Expiration Date 08/10/2027
By [Signature]
Miami-Dade Product Control



- NOTES:
- ANCHORING POSITIONS FOR METAL, WOOD, AND CONCRETE DECK ARE THE SAME.
 - REFER TO NOTES 6, 7, 7.1, & 8 ON SHEET 1 FOR THE TYPE OF ANCHORS FOR STEEL, CONCRETE AND WOOD ROOF.

All exposed Thru Bolts are to be sealed with Liquid Prosoco Flashing or equal.



PennBarry 605 Shiloh RD Plano, TX 75074

DYNAMO
BELT DRIVE MODELS
INSTALLATION DETAILS

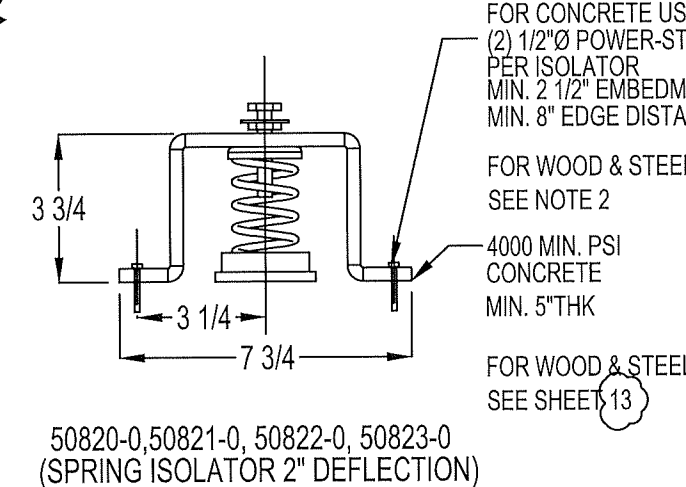
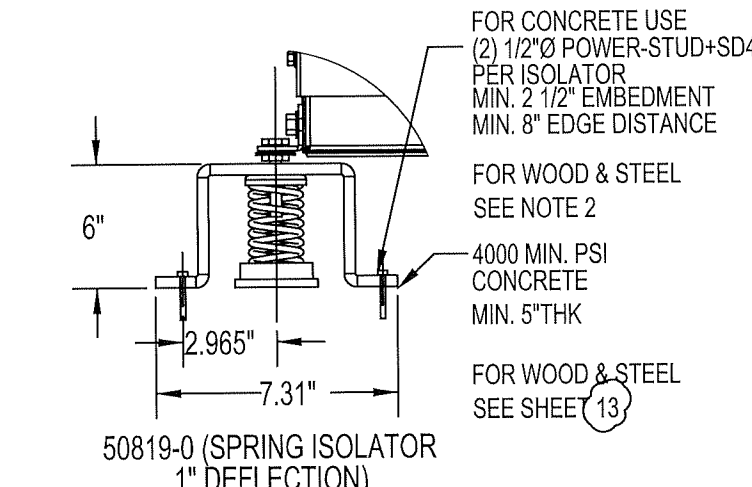
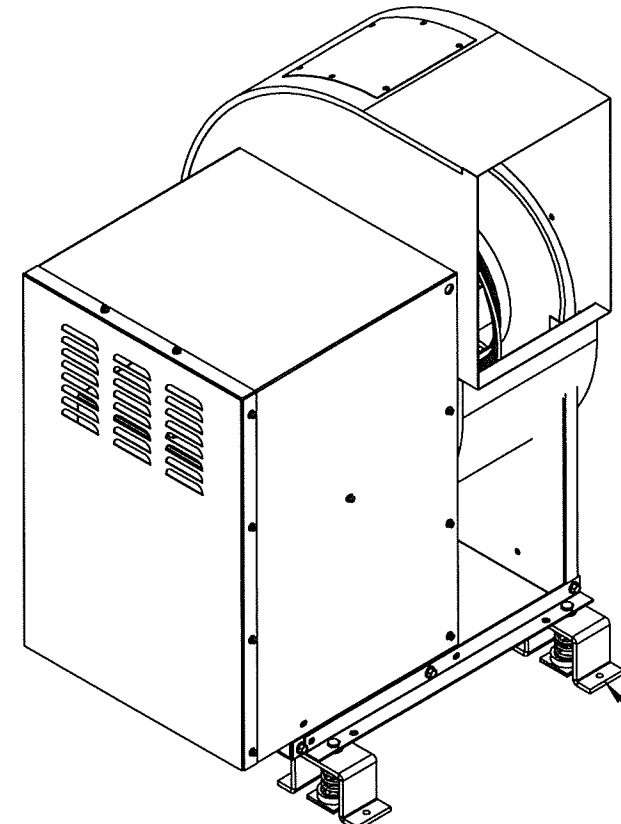
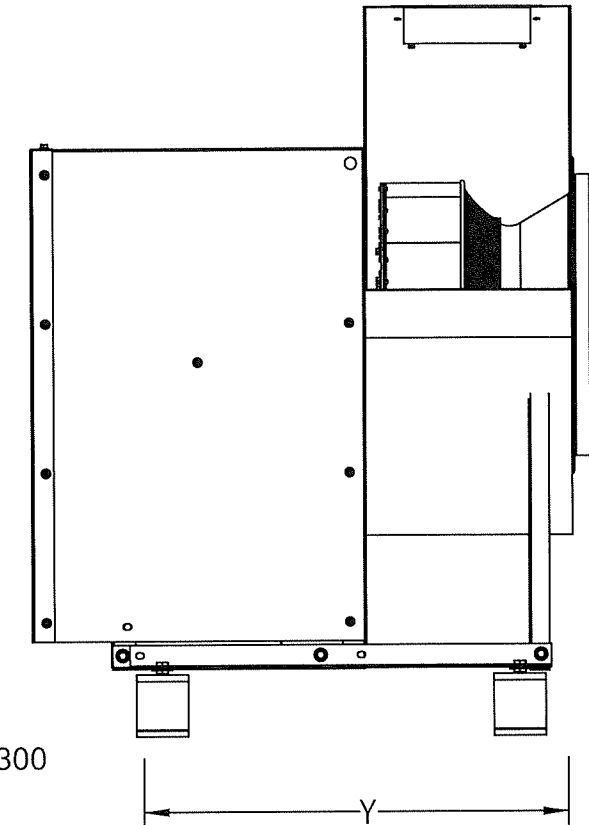
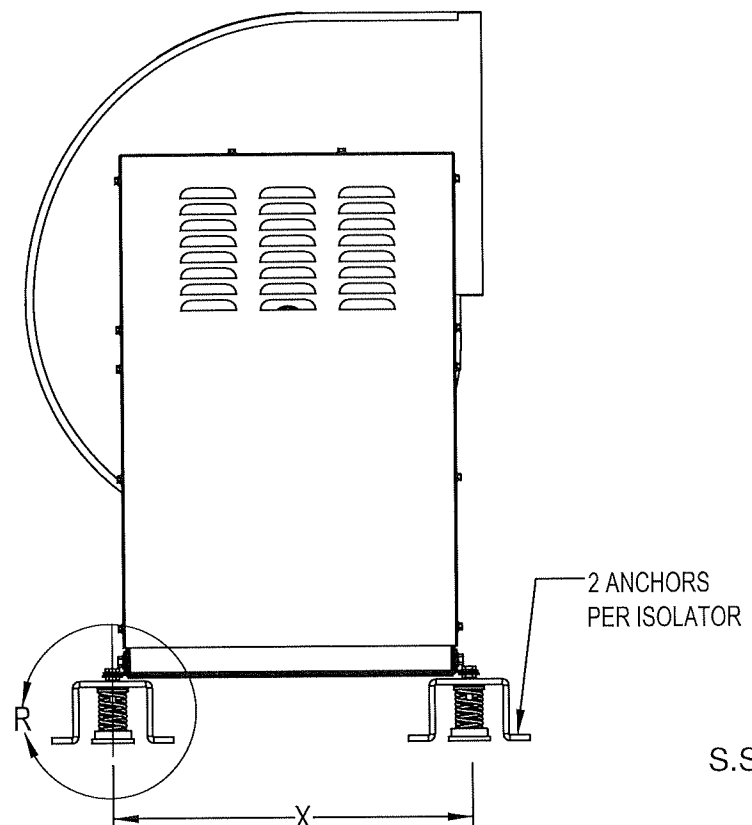
DRAWN:	IC	DWG NO.	24553-0	REV	B
SCALE:	NTS	DATE:	10/31/2018	SHEET:	13 OF 14

RICE
ENGINEERING
105 School Creek Trail
Luxemburg, WI 54217
Phone 920-617 1042
Fax 920-617-1100
www.rice-inc.com

Florida Firm No. F-0100005081
Certificate of Authorization #9090
Wayne K. Helmila
Registration No. 59092

AUG 24 2022

REVISIONS			
REV.	DESCRIPTION	DATE	APPROVED
D	REVISIONS PER MARKUPS	05/29/2019	-



PRODUCT REVISED
 as complying with the Florida
 Building Code
 NOA-No. 22-0729.04
 Expiration Date 08/10/2027
 By *[Signature]*
 Miami-Dade Product Control

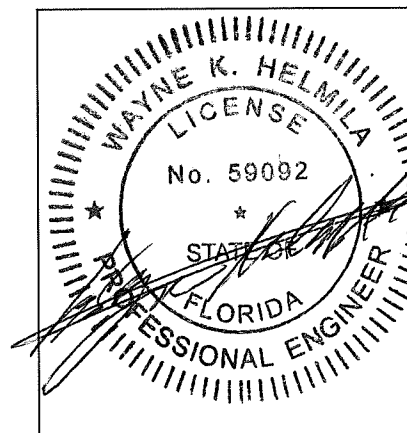
- NOTES:
- PART NUMBERS OF SPRING ISOLATORS ARE SHOWN IN THE TABLE.
 - ANCHORING POSITIONS FOR METAL AND WOOD DECK ARE SAME, WITH 2 ANCHORS PER ISOLATOR.
 - REFER TO NOTES 6, 7, 7.1, & 8 ON SHEET 1 FOR THE TYPE OF ANCHORS FOR STEEL, CONCRETE AND WOOD ROOF.
 - ALL ISOLATORS IN TABLE AT LEFT HAVE SAME DIMENSIONS, SHOWN IN DETAIL R.

All exposed Fasteners (attaching the unit to the structure) that are not S.S. Series 300 Fasteners are to be sealed with Liquid Prosoco Flashing or equal.

DETAIL R

DETAIL R

MODEL	X	Y	SPRING ISOLATORS (QTY)
D16	20 3/4	28 3/4	50819-0 (4)
D18	22 1/2	32	50820-0 (4)
D20	24 1/4	34 3/4	50821-0 (4)
D22	28	37	50821-0 (4)
D24	29	39	50821-0 (4)
D30	39 3/8	46 3/8	50822-0 (4)
D36	44 3/4	51 1/2	50823-0 (4)



PennBarry 605 Shiloh RD Plano, TX 75074

**DYNAMO
 BELT DRIVE MODELS
 INSTALLATION DETAILS**

DRAWN: IC	DWG NO. 24553-0	REV B
SCALE NTS	DATE 10/31/2018	SHEET 14 OF 14

**RICE
 ENGINEERING**
 105 School Creek Trail
 Luxemburg, WI 54217
 Phone 920-617 1042
 Fax 920-617-1100
 www.rico-inc.com


Florida Firm No. F-0100005081
 Certificate of Authorization #9090
 Wayne K. Helmila
 Registration No. 59092

AUG 24 2022

REVISIONS			
REV.	DESCRIPTION	DATE	APPROVED
D	REVISIONS PER MARKUKPS	05/29/2019	-

NOTES:

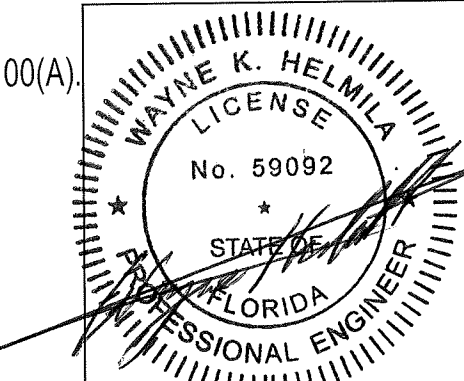
1. THIS PRODUCT SHOWN HEREIN IS DESIGNED AND MANUFACTURED TO COMPLY WITH REQUIREMENTS OF THE FLORIDA BUILDING CODE INCLUDING THE HVHZ.
2. WOOD AND METAL FRAMING AND CONCRETE OPENING TO BE DESIGNED AND ANCHORED TO PROPERLY TRANSFER ALL LOADS TO STRUCTURE. FRAMING AND CONCRTE OPENING IS THE RESPONSIBILITY OF THE ARCHITECT OR ENGINEER OF RECORD.
3. 1X BUCK OVER CONCRETE IS OPTIONAL. WHERE 1X BUCK IS NOT USED DISSIMILAR MATERIALS MUST BE SEPARATED WITH APPROVED COATING OR MEMBRANE. SELECTION OF COATING OR MEMBRANE IS THE RESPONSIBILITY OF THE ARCHITECT OR ENGINEER OF RECORD.
4. ALLOWABLE STRESS INCREASE OF 1/3 WAS NOT USED IN THE DESIGN OF THE PRODUCT SHOWN HEREIN. WIND LOAD DURATION FACTOR Cd=1.6 WAS USED FOR WOOD ANCHOR CALCULATIONS.
5. FOR ANCHORING INTO WOOD FRAMING USE #12 WOOD SCREWS (2" EMBEDMENT, 1 5/8" THREAD ENGAGEMENT) WITH ANCHORS AS SHOWN IN INSTALLATION DETAILS ON SHEETS 6, 7, & 8.
- 6.1 FOR ANCHORING INTO CRACKED CONCRETE USE 1/4" TAPCON+ WITH SUFFICIENT LENGTH TO ACHIEVE A 2" MINIMUM EMBEDMENT INTO SUBSTRATE WITH 3" MINIMUM EDGE DISTANCE. LOCATE ANCHORS AS SHOWN IN INSTALLATION DETAILS ON SHEET 6, 7, & 8.
7. FOR ANCHORING INTO METAL STRUCTURE USE #12 SMS OR SELF DRILLING SCREWS WITH SUFFICIENT LENGTH TO ACHIEVE 3 THREADS MINIMUM BEYOND STRUCTURE INTERIOR WALL. LOCATE ANCHORS AS SHOWN IN INSTALLATION DETAILS ON SHEET 6, 7, & 8.
8. ALL FASTENERS TO BE CORROSION RESISTANT. UNLESS OTHERWISE NOTED ANCHORS SHALL BE 300 SERIES S.S. COND. CW Fy=65KSI ←
9. INSTALLATION ANCHORS SHALL BE INSTALLED IN ACCORDANCE WITH ANCHOR MANUFACTURER'S INSTALLATION INSTRUCTIONS AND ANCHORS SHALL NOT BE USED IN SUBSTRATES WITH STRENGTHS LESS THAN THE MINIMUM STRENGTH SPECIFIED BELOW:
 - A. WOOD - MINIMUM SPECIFIC GRAVITY OF G = 0.55
 - B. CONCRETE - MINIMUM COMPRESSIVE STRENGTH OF 4,000 PSI.
 - C. METAL STRUCTURE: STEEL 12 GA, 33KSI OR ALUMINUM 6063-T5 1/8" THICK MINIMUM
10. THIS APPROVAL IS FOR STRUCTURAL PERFORMANCE AND IMPACT RESISTANCE ONLY. INTERIOR MECHANISM AND / OR ELECTRICAL CIRCUITRY ARE OUTSIDE THE SCOPE OF THIS APPROVAL.
11. UNITS WERE NOT TESTED FOR WATER PENETRATION PER FBC, TAS 100(A).

PRODUCT REVISED
 as complying with the Florida
 Building Code
 NOA-No. 22-0729.04
 Expiration Date 08/10/2027
 By 
 Miami-Dade Product Control

All exposed Fasteners (attaching the unit to the structure) that are not S.S. Series 300 Fasteners are to be sealed with Liquid Prosoco Flashing. If S.S. 410 Tapcon Fasteners are provided then seal them with Liquid Prosoco Flashing or equal.

TABLE OF CONTENTS

SHEET NO.	DESCRIPTION
1	GENERAL NOTES
2	ELEVATIONS
3-5	BILL OF MATERIALS, INDIVIDUAL PART DETAILS
6-9	INSTALLATION DETAILS

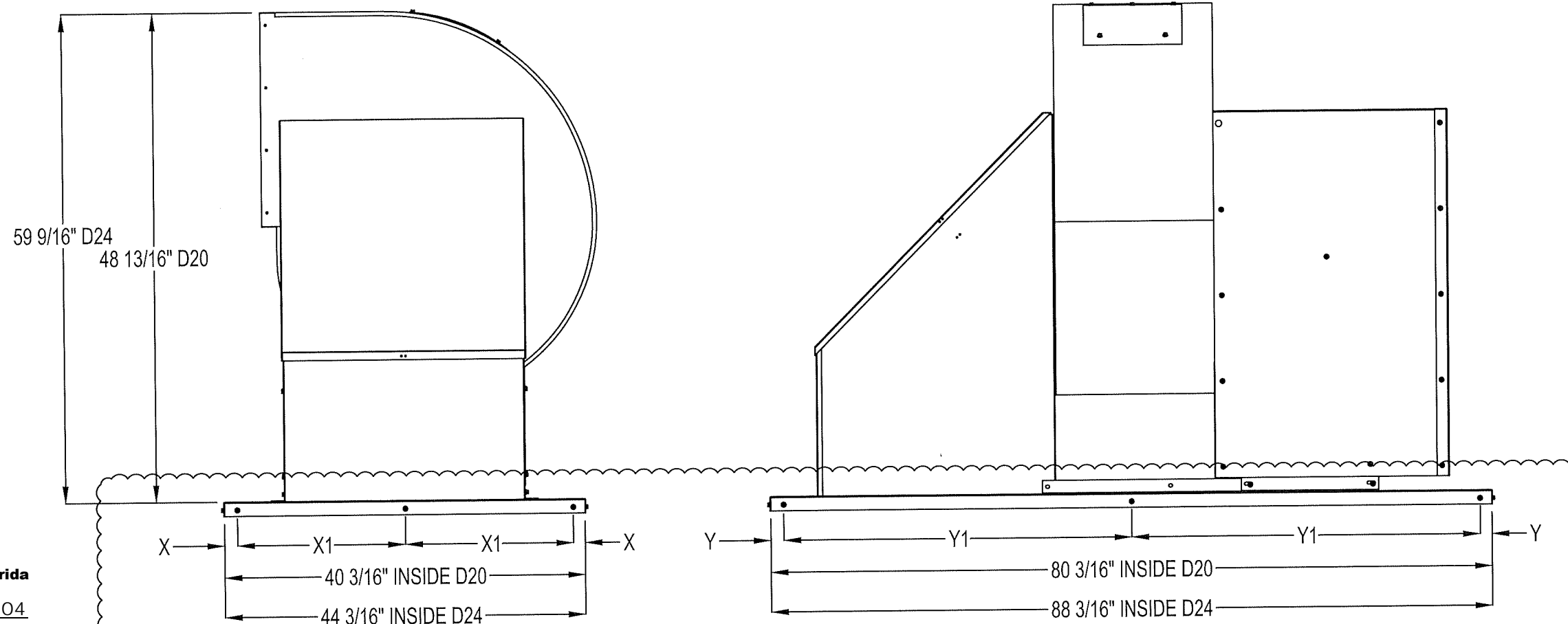


PennBarry 605 Shiloh RD Plano, TX 75074			
DYNAPAK BELT DRIVE MODELS GENERAL NOTES			
DRAWN: IC	DWG NO. 24553-0	REV B	
SCALE NTS	DATE 10/31/2018	SHEET 1 OF 9	

RICE
ENGINEERING
 105 School Creek Trail
 Luxemburg, WI 54217
 Phone 920-617 1042
 Fax 920-617-1100
 www.rice-inc.com
 Florida Firm No. F-01000005081
 Certificate of Authorization #9090
 Wayne K. Helmila
 Registration No. 59092

AUG 24 2022

REVISIONS			
REV.	DESCRIPTION	DATE	APPROVED
D	REVISIONS PER MARKUPS	05/29/2019	-



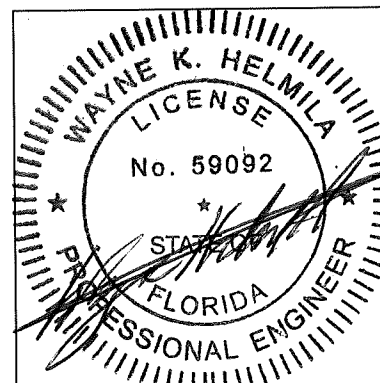
PRODUCT REVISED
as complying with the Florida
Building Code
NOA-No. 22-0729.04
Expiration Date 08/10/2027
By *[Signature]*
Miami-Dade Product Control

D20DP & D24DP DYNAPACK BELT DRIVE
ELEVATION VIEW

NOTE: SEE SHEET 8 FOR FASTENER
QUANTITIES AND SPACINGS

DESIGN PRESSURE RATING	IMPACT RATING
± 70.0PSF	NONE

MODELS					
NAME	BELT DRIVE				
	WHEEL DIA.	LENGTH	WIDTH	HEIGHT	WEIGHT
D20DP	20	80-3/16	40-3/16	48-13/16	358 lbs
D24DP	24-5/8	88-3/16	44-3/16	59-9/16	573 lbs



PennBarry 605 Shiloh RD Plano, TX 75074

**DYNAPAK
BELT DRIVE MODELS
ELEVATIONS**

DRAWN: IC	DWG NO. 24553-0	REV B
SCALE NTS	DATE 10/31/2018	SHEET 2 OF 9

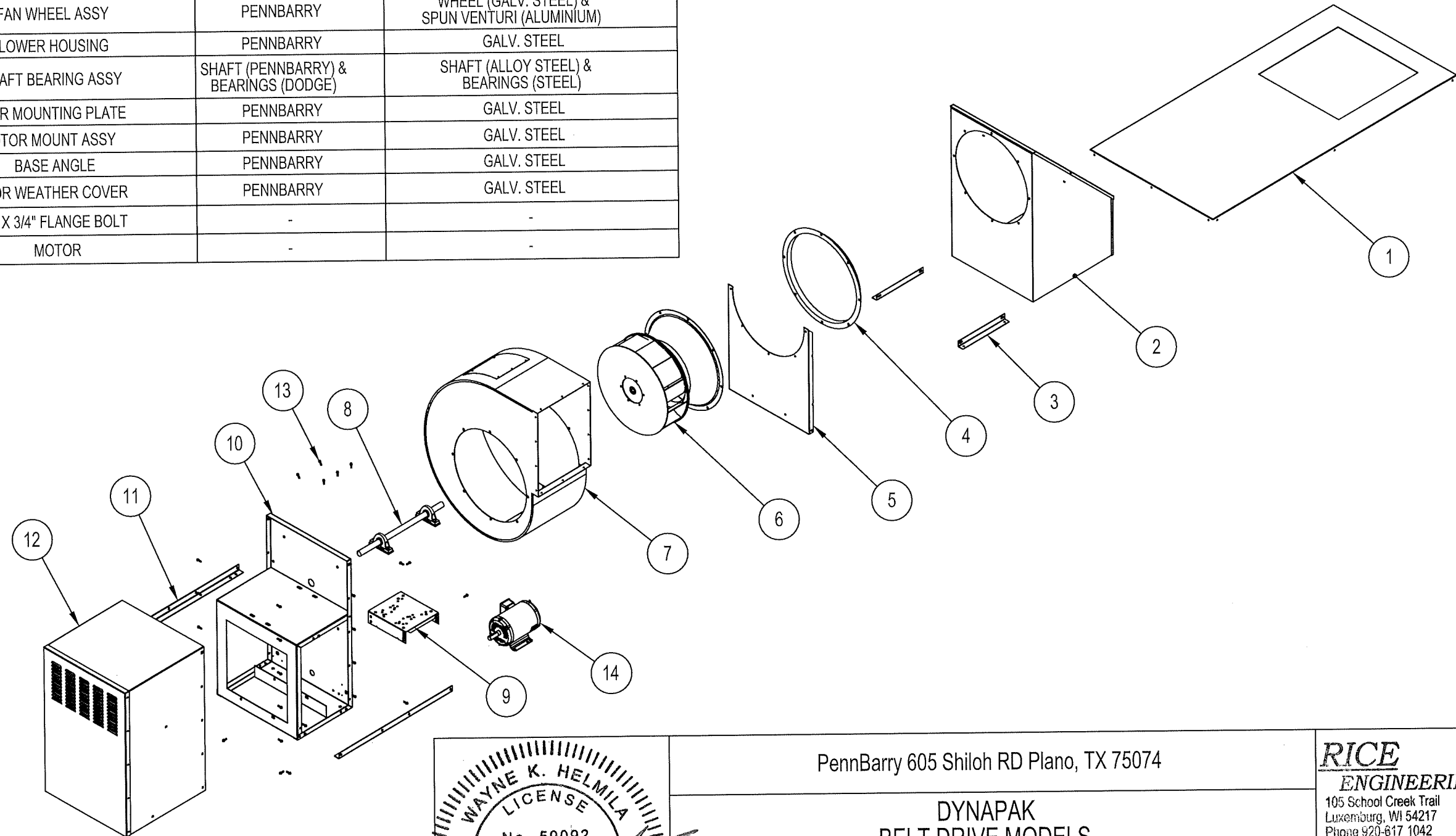
RICE
ENGINEERING
105 School Creek Trail
Luxemburg, WI 54217
Phone 920-617-1042
Fax 920-617-1100
www.rice-inc.com

Florida Firm No. F-0100005081
Certificate of Authorization #9090
Wayne K. Helmila
Registration No. 59092

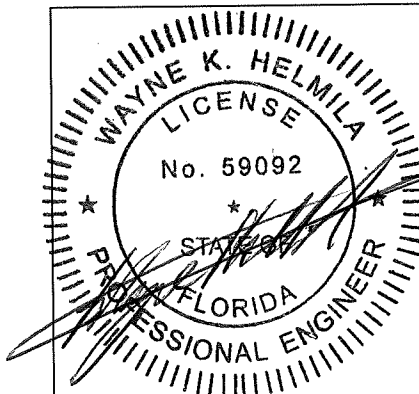
AUG 24 2022

ITEM NO.	PART NUMBER	DESCRIPTION	MANUFACTURER	MATERIAL
1	17216-0	DYNAPAK BASE	PENNBARRY	GALV. STEEL
2	17217-A	INLET	PENNBARRY	GALV. STEEL
3	17221	BASE ANGLES	PENNBARRY	GALV. STEEL
4	10891-8	MOUNTING RING	PENNBARRY	GALV. STEEL
5	10730-1	SHORT VERTICAL SUPPORT	PENNBARRY	GALV. STEEL
6	10814-0	FAN WHEEL ASSY	PENNBARRY	WHEEL (GALV. STEEL) & SPUN VENTURI (ALUMINIUM)
7	16409509	BLOWER HOUSING	PENNBARRY	GALV. STEEL
8	26827-9	SHAFT BEARING ASSY	SHAFT (PENNBARRY) & BEARINGS (DODGE)	SHAFT (ALLOY STEEL) & BEARINGS (STEEL)
9	10737-1	MOTOR MOUNTING PLATE	PENNBARRY	GALV. STEEL
10	26169-0	MOTOR MOUNT ASSY	PENNBARRY	GALV. STEEL
11	10890-1	BASE ANGLE	PENNBARRY	GALV. STEEL
12	10602-0	MOTOR WEATHER COVER	PENNBARRY	GALV. STEEL
13	55852-0	1/4"-20 X 3/4" FLANGE BOLT	-	-
14	D24-MOTOR	MOTOR	-	-

REVISIONS			
REV.	DESCRIPTION	DATE	APPROVED
B	-	10/31/2018	RC, DHR



PRODUCT REVISED
as complying with the Florida
Building Code
NOA-No. 22-0729.04
Expiration Date 08/10/2027
By *[Signature]*
Miami-Dade Product Control



PennBarry 605 Shiloh RD Plano, TX 75074

**DYNAPAK
BELT DRIVE MODELS
BELT DRIVE BOM - EXPLODED VIEW**

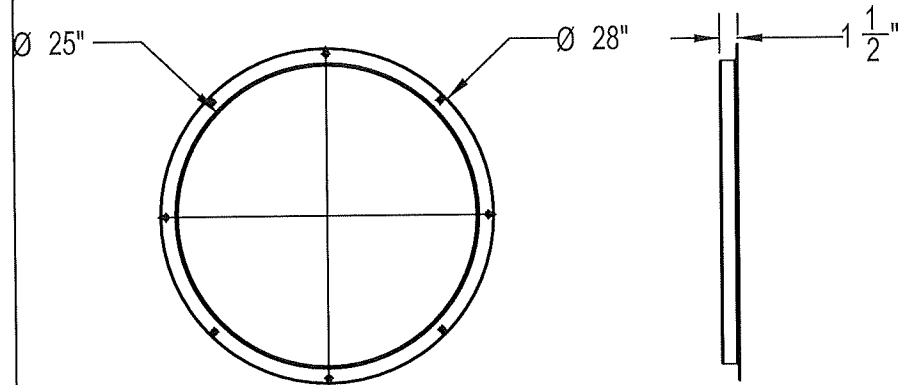
DRAWN: IC	DWG NO. 24553-0	REV B
SCALE NTS	DATE 10/31/2018	SHEET 3 OF 9

RICE
ENGINEERING
105 School Creek Trail
Luxemburg, WI 54217
Phone 920-617 1042
Fax 920-617-1100
www.rice-inc.com
Florida Firm No. F-01000005081
Certificate of Authorization #9090
Wayne K. Helmila
Registration No. 59092

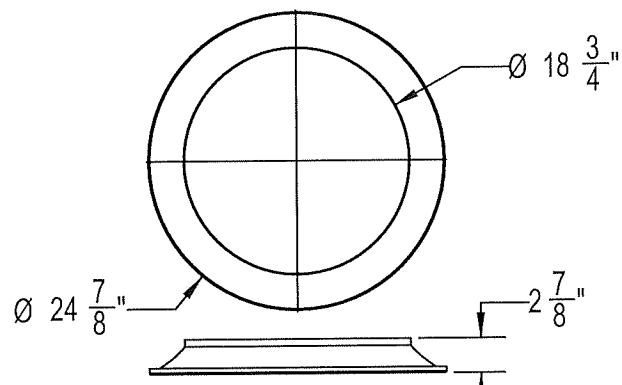
NOTES:
SAMPLE SHOWN FOR D24 BELT DRIVE DYNAPAK

AUG 24 2022

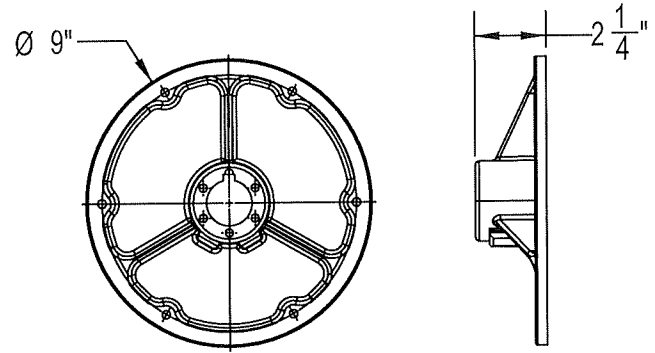
REVISIONS			
REV.	DESCRIPTION	DATE	APPROVED
B		10/31/2018	RC, DHR



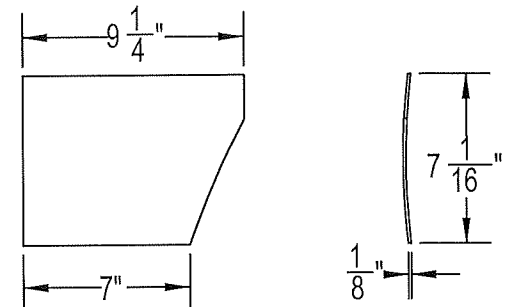
(MOUNTING RING)
SAMPLE : D24 SIZE
MATERIAL : GALV. STEEL 0.125" THK.



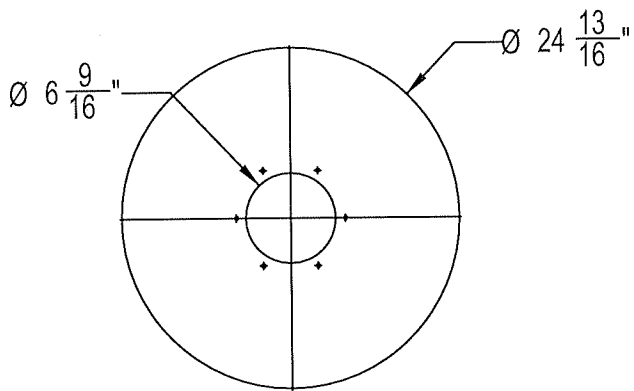
(WHEEL PLATE FEMALE)
SAMPLE : D24 SIZE
MATERIAL : AL. ALLOY, 0.08" THK



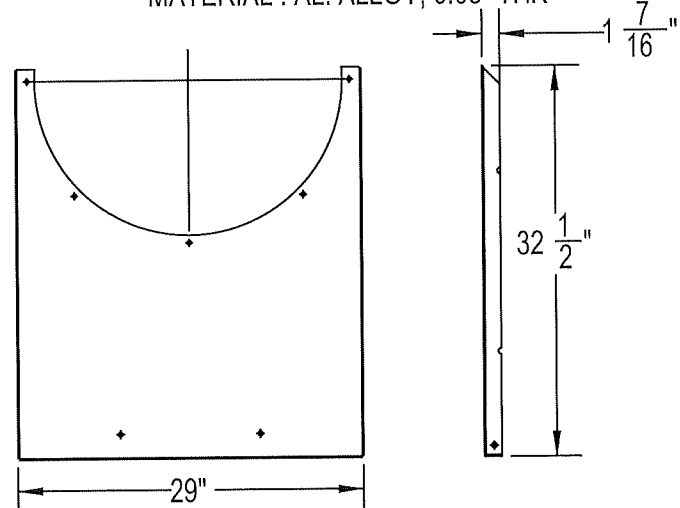
(FAN WHEEL HUB)
SAMPLE : D24 SIZE
MATERIAL : AL. ALLOY



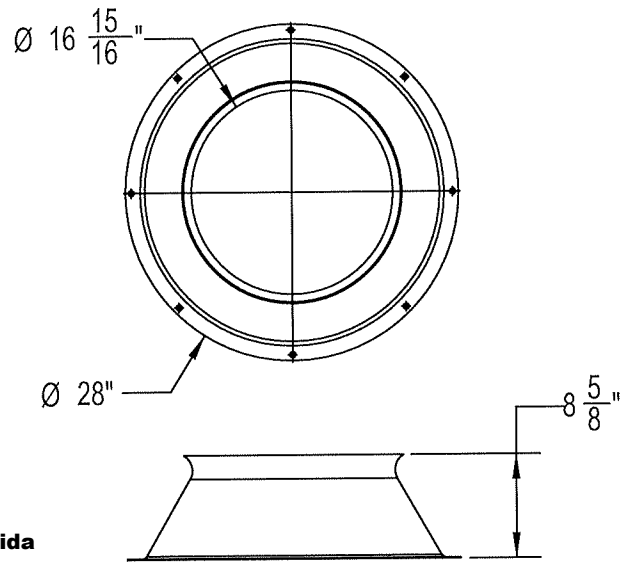
(BLADE)
SAMPLE : D24 SIZE
MATERIAL : AL. ALLOY, 0.13" THK.



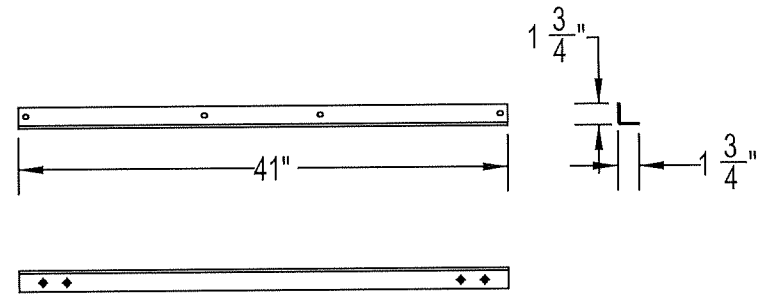
(WHEEL PLATE MALE)
SAMPLE : D24 SIZE
AL. ALLOY, 0.16" THK.



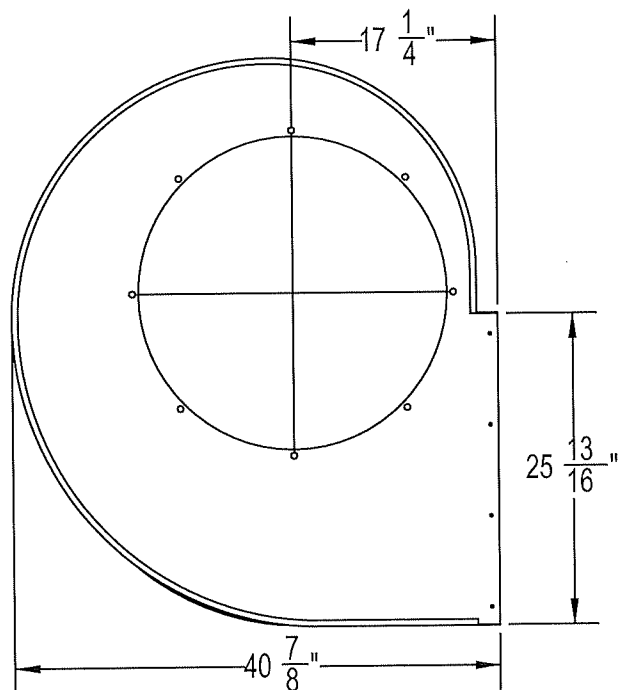
(VERTICAL SUPPORT)
SAMPLE : D24 SIZE
MATERIAL : GALV. STEEL, 14GA



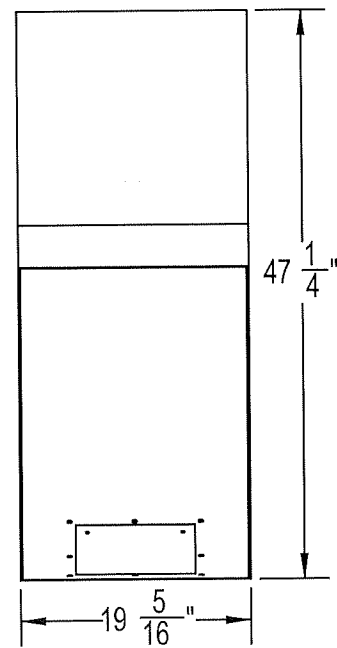
(SPUN VENTURI)
SAMPLE : D24 SIZE
MATERIAL : AL. ALLOY, 0.064" THK



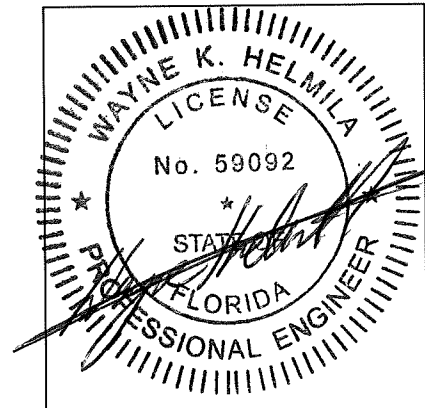
(BASE ANGLE)
SAMPLE : D24 SIZE
MATERIAL : GALV. STEEL, 10GA



(BLOWER HOUSING)
SAMPLE : D24 SIZE
MATERIAL : GALV. STEEL 14 GA.



PRODUCT REVISED
as complying with the Florida
Building Code
NOA-No. 22-0729.04
Expiration Date 08/10/2027
By *[Signature]*
Miami-Dade Product Control



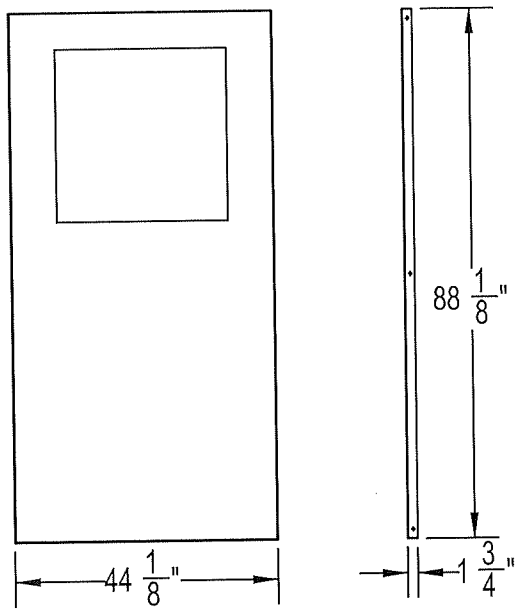
PennBarry 605 Shiloh RD Plano, TX 75074

**DYNAPAK
BELT DRIVE MODELS
INDIVIDUAL PARTS DETAIL**

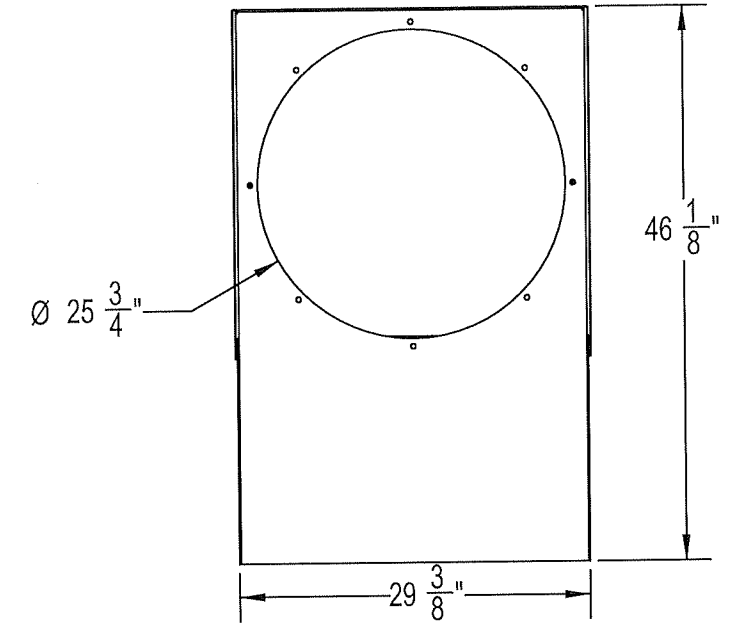
DRAWN: IC	DWG NO. 24553-0	REV B
SCALE NTS	DATE 10/31/2018	SHEET 4 OF 9

**RICE
ENGINEERING**
105 School Creek Trail
Luxemburg, WI 54217
Phone 920-617 1042
Fax 920-617-1100
www.rice-inc.com
Florida Firm No. F-01000005081
Certificate of Authorization #9090
Wayne K. Helmila
Registration No. 59092

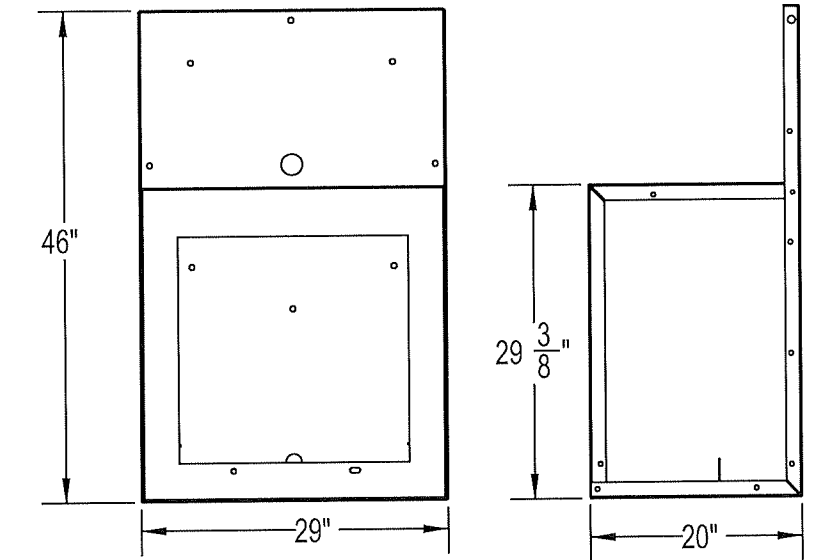
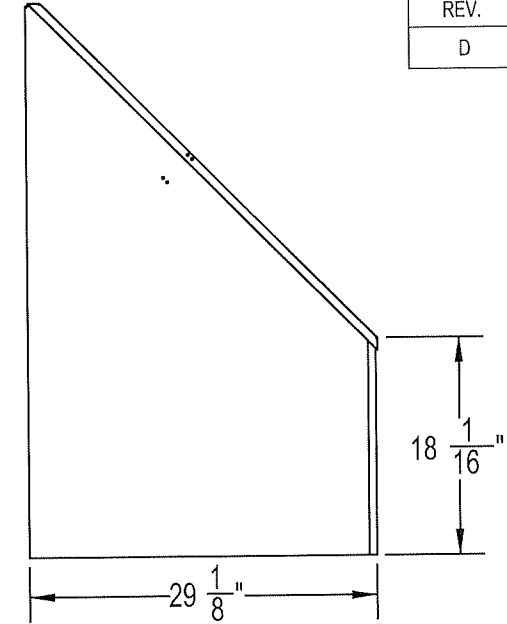
AUG 24 2022



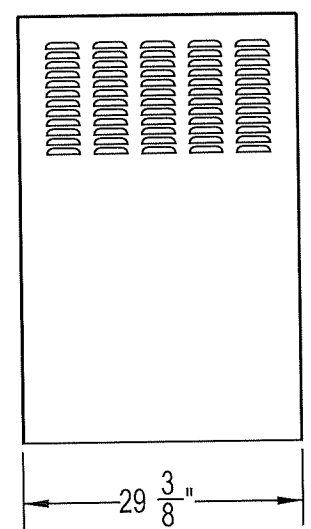
(DYNAPAK BASE)
SAMPLE : D24 SIZE
MATERIAL : GALV. STEEL 12GA



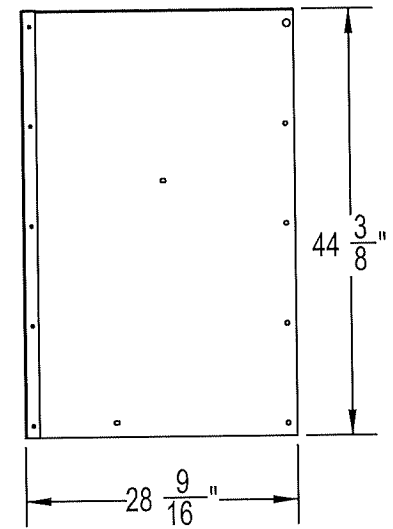
(INLET)
SAMPLE : D24 SIZE
MATERIAL : GALV. STEEL 14GA



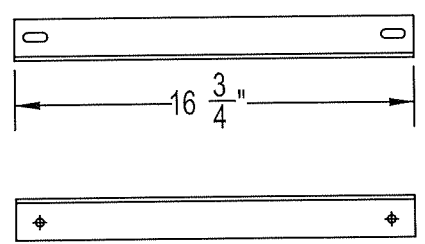
(SUPPORT FRAME WELDMENT)
SAMPLE : D24 SIZE
MATERIAL : GALV. STEEL, 12GA



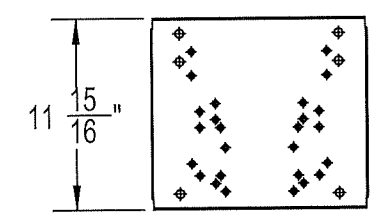
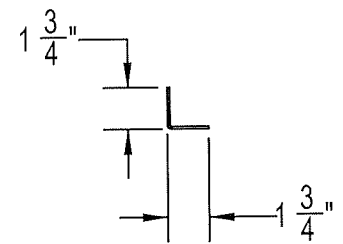
(WEATHER COVER ASSEMBLY)
SAMPLE : D24 SIZE
MATERIAL : GALV. STEEL, 16GA



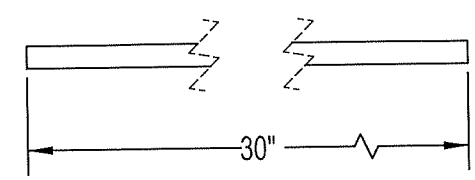
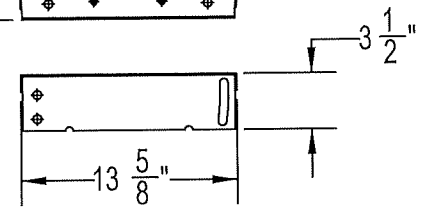
PRODUCT REVISED
as complying with the Florida
Building Code
NOA-No. 22-0729.04
Expiration Date 08/10/2027
By *[Signature]*
Miami-Dade Product Control



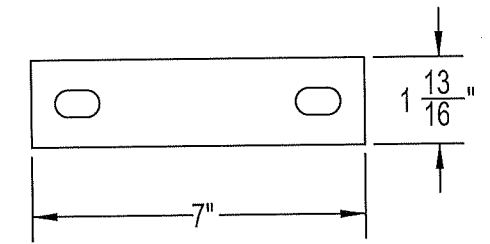
(BASE ANGLE)
SAMPLE : D24 SIZE
MATERIAL : GALV. STEEL, 12GA



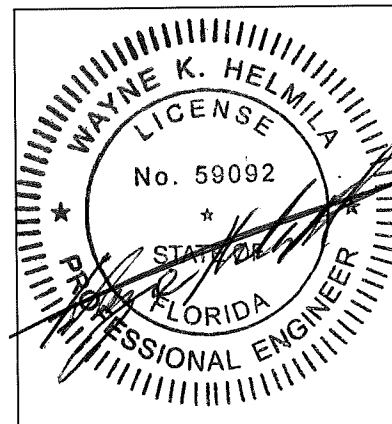
(MOTOR PLATE)
SAMPLE : D24 SIZE
MATERIAL : GALV. STEEL, 16GA



(SHAFT)
SAMPLE : D24 SIZE
MATERIAL : AL. ALLOY, Ø 1.425



(SHIM)
SAMPTEL : D24 SIZE
MATERIAL : GALV. STEEL, 0.25" THK.



PennBarry 605 Shiloh RD Plano, TX 75074

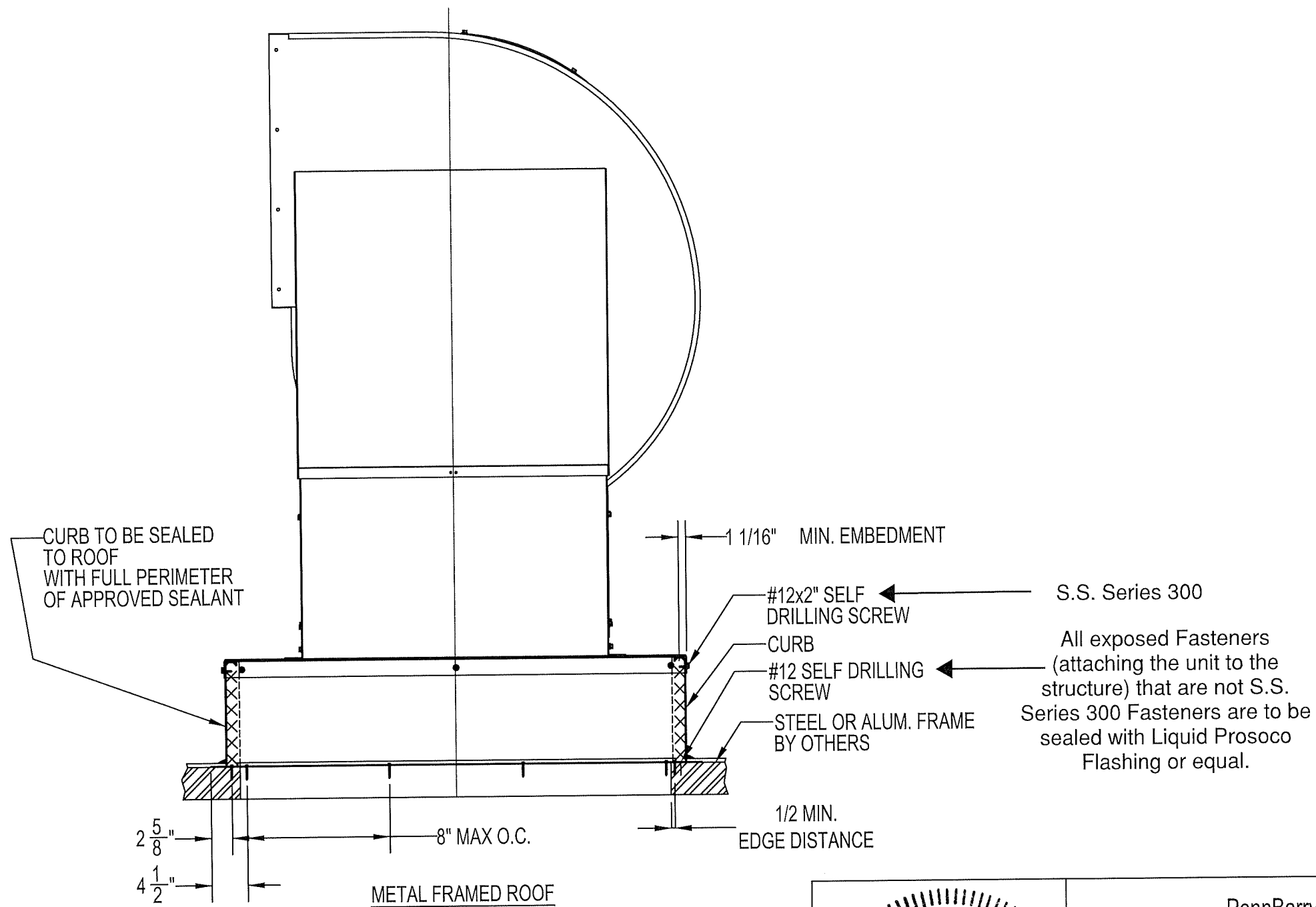
**DYNAPAK
BELT DRIVE MODELS
INDIVIDUAL PARTS DETAIL**

DRAWN: IC	DWG NO. 24553-0	REV B
SCALE NTS	DATE 10/31/2018	SHEET 5 OF 9

RICE
ENGINEERING
105 School Creek Trail
Luxemburg, WI 54217
Phone 920-617 1042
Fax 920-617-1100
www.rice-inc.com
Florida Firm No. F-0100005081
Certificate of Authorization #9090
Wayne K. Helmila
Registration No. 59092

AUG 24 2022

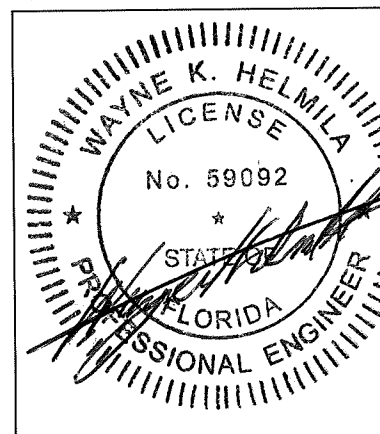
REVISIONS			
REV.	DESCRIPTION	DATE	APPROVED
D	REVISIONS PER MARKUPS	05/29/2019	-



All exposed Fasteners (attaching the unit to the structure) that are not S.S. Series 300 Fasteners are to be sealed with Liquid Prosoco Flashing or equal.

PRODUCT REVISED
as complying with the Florida
Building Code
NOA-No. 22-0729.04
Expiration Date 08/10/2027
By [Signature]
Miami-Dade Product Control

- NOTES:
1. ALL FOUR SIDES OF CURB AND BASE ARE ANCHORED IDENTICALLY.
 2. ROOF CURB IS INSTALLED TO ROOF FIRST. ONCE CURB IS INSTALLED FAN IS ATTACHED TO CURB USING #12X2" SELF DRILLING SCREWS AS SHOWN ABOVE.
 3. SEE SHEET 9, COMPONENTS FOR ROOF CURB CONSTRUCTION.
 4. UNITS MAYBE INSTALLED WITH ALUMINUM 3003-H14 CURB OR GALVANIZED STEEL CURB.



PennBarry 605 Shiloh RD Plano, TX 75074

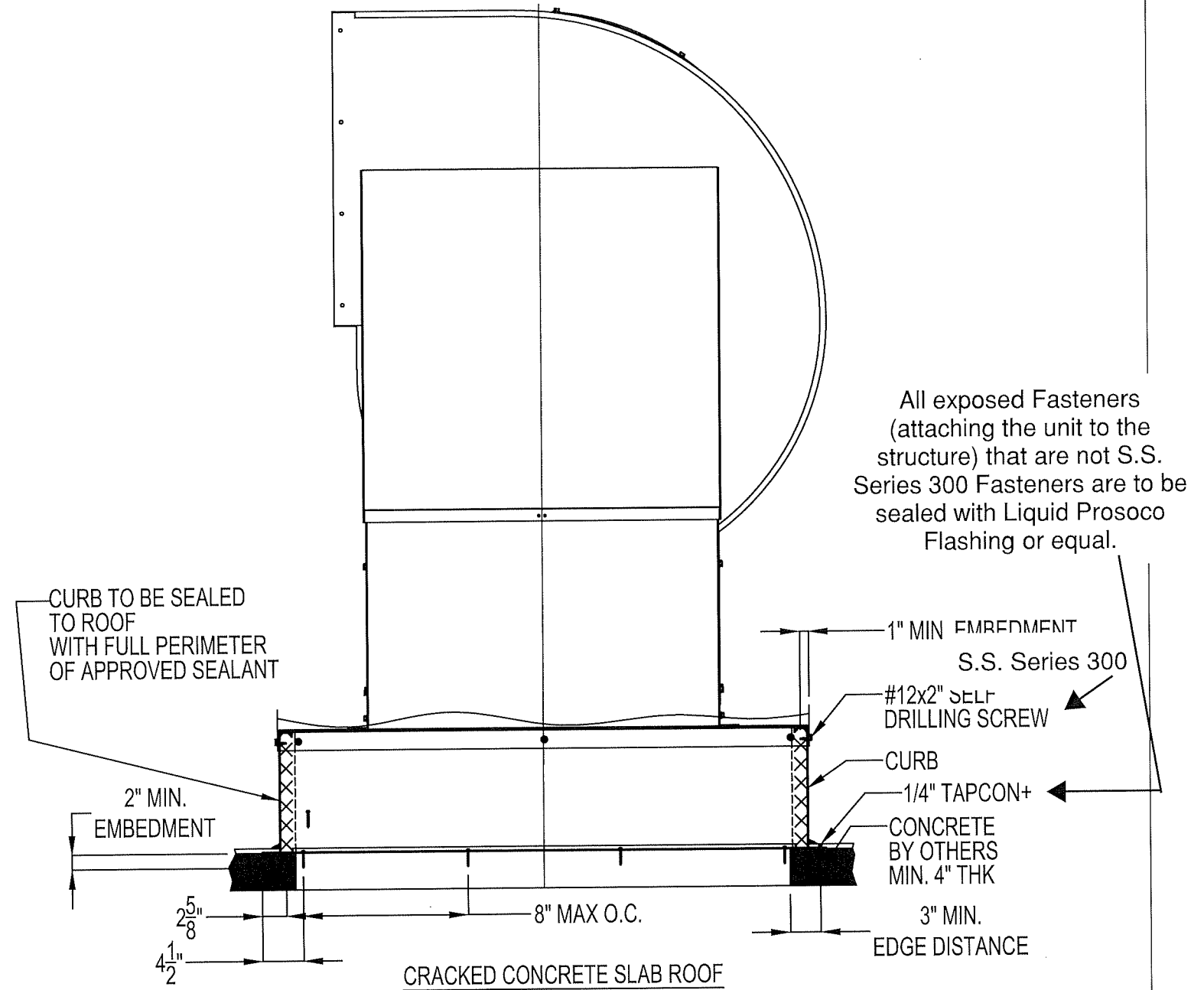
**DYNAPAK
BELT DRIVE MODELS
INSTALLATION DETAILS**

DRAWN: IC	DWG NO. 24553-0	REV B
SCALE NTS	DATE 10/31/2018	SHEET 6 OF 9

RICE
ENGINEERING
105 School Creek Trail
Luxemburg, WI 54217
Phone 920-617 1042
Fax 920-617-1100
www.rice-inc.com
Florida Firm No. F-0100005081
Certificate of Authorization #9090
Wayne K. Helmila
Registration No. 59092

AUG 24 2022

REVISIONS			
REV.	DESCRIPTION	DATE	APPROVED
D	REVISIONS PER MARKUPS	05/29/2019	-

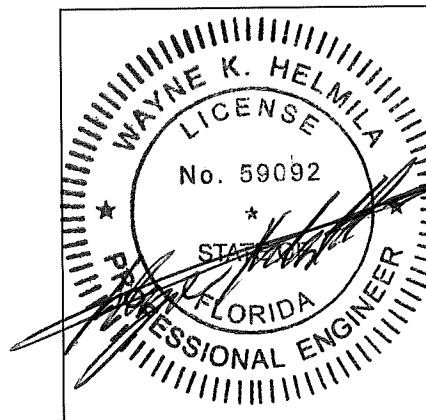


PRODUCT REVISED
 as complying with the Florida
 Building Code
 NOA-No. 22-0729.04
 Expiration Date 08/10/2027
 By *[Signature]*
 Miami-Dade Product Control

NOTES:

1. ALL FOUR SIDES OF CURB AND BASE ARE ANCHORED IDENTICALLY.
2. ROOF CURB IS INSTALLED TO ROOF FIRST. ONCE CURB IS INSTALLED FAN IS ATTACHED TO CURB USING #12X2" SELF DRILLING SCREWS AS SHOWN ABOVE.
3. SEE SHEET 9, COMPONENTS FOR ROOF CURB CONSTRUCTION.
4. UNITS MAYBE INSTALLED WITH ALUMINUM 3003-H14 CURB OR GALVANIZED STEEL CURB.

S.S. Series 300



PennBarry 605 Shiloh RD Plano, TX 75074

**DYNAPAK
 BELT DRIVE MODELS
 INSTALLATION DETAILS**

DRAWN: IC	DWG NO. 24553-0	REV C
SCALE NTS	DATE 02/08/2019	SHEET 7 OF 9

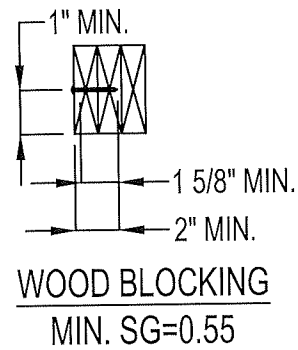
RICE
ENGINEERING
 105 School Creek Trail
 Luxemburg, WI 54217
 Phone 920-617 1042
 Fax 920-617-1100
 www.rice-inc.com

Florida Firm No. F-0100005081
 Certificate of Authorization #9090
 Wayne K. Helmila
 Registration No. 59092

AUG 24 2022

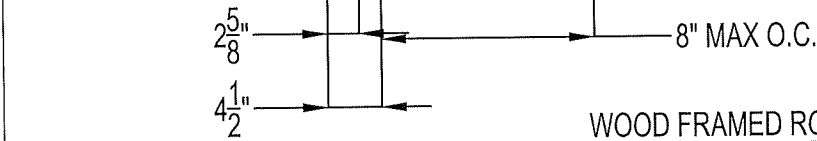
REVISIONS			
REV.	DESCRIPTION	DATE	APPROVED
D	REVISIONS PER MARKUPS	05/29/2019	

MODEL / SIZE	X	X1	Y	Y1	# OF # 12X2" S.D.S. (VENT TO ROOF CURBS)	ROOF CURB TO ROOF DECK ANCHORS											
						1/8" THK ALUM. 6063-T5 #12'S			12GA Fy=33KSI #12'S			CRACKED CONC. 1/4"Ø TAPCON+			WOOD BLOCKING (G=0.55) #12 WOODS SCREWS		
						SHORT	LONG	TOTAL#	SHORT	LONG	TOTAL#	SHORT	LONG	TOTAL#	SHORT	LONG	TOTAL#
D 20 DP	-	-	-	-	-	6	12	36	6	11	34	6	11	34	6	11	34
D 24 DP	-	-	-	-	-	8	18	52	8	11	38	8	11	38	8	11	38
D 20 DP	2	18.09	2	19.05	16 (5 PER LONG SIDE, 3 PER SHORT SIDE)	ANCHORS EQUALLY SPACED (2" FROM VERTICAL EDGE).											
D 24 DP	2	13.40	2	16.84	20 (6 PER LONG SIDE, 4 PER SHORT SIDE)												



CURB TO BE SEALED TO ROOF WITH FULL PERIMETER OF APPROVED SEALANT

1 5/8" MIN. ENGAGEMENT
2" MIN. EMBEDMENT



1 1/16" MIN. EMBEDMENT

#12x2" SELF DRILLING SCREW

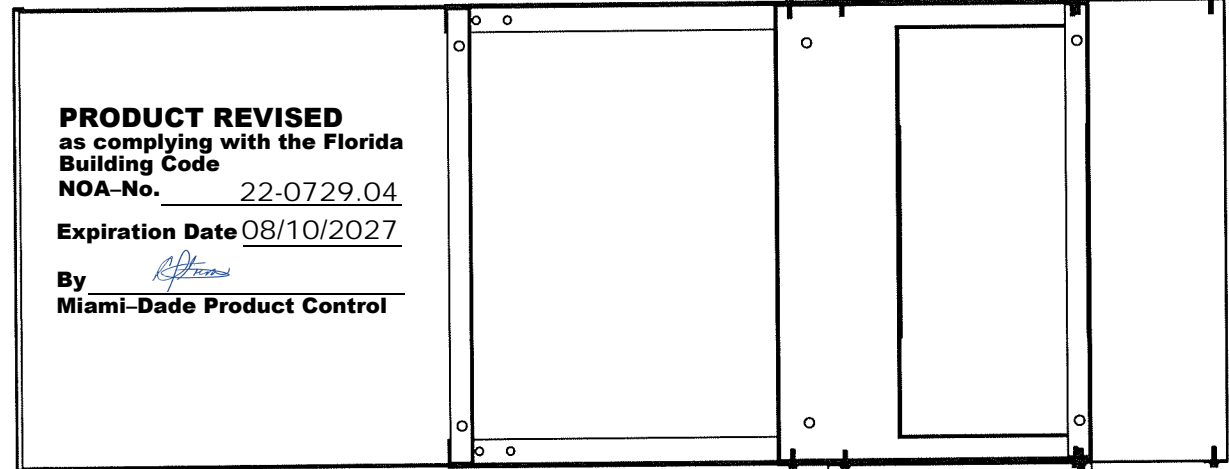
CURB

#12 WOOD SCREW

WOOD FRAMING BY OTHERS

1" MIN. EDGE DISTANCE

S.S. Series 300
All exposed Fasteners (attaching the unit to the structure) that are not S.S. Series 300 Fasteners are to be sealed with Liquid Prosoco Flashing or equal.

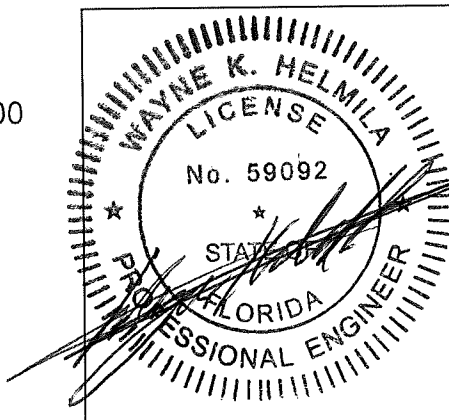


PRODUCT REVISED
as complying with the Florida Building Code
NOA-No. 22-0729.04
Expiration Date 08/10/2027
By *[Signature]*
Miami-Dade Product Control

SECTION L-L - SCALE 1 : 12.15

- NOTES:
1. ALL FOUR SIDES OF CURB AND BASE ARE ANCHORED IDENTICALLY.
 2. ROOF CURB IS INSTALLED TO ROOF FIRST. ONCE CURB IS INSTALLED FAN IS ATTACHED TO CURB USING #12X2" SELF DRILLING SCREWS AS SHOWN ABOVE.
 3. SEE SHEET 9, COMPONENTS FOR ROOF CURB CONSTRUCTION.
 4. UNITS MAYBE INSTALLED WITH ALUMINUM 3003-H14 CURB OR GALVANIZED STEEL CURB.

S.S. Series 300



PennBarry 605 Shiloh RD Plano, TX 75074

**DYNAPAK
BELT DRIVE MODELS
INSTALLATION DETAILS**

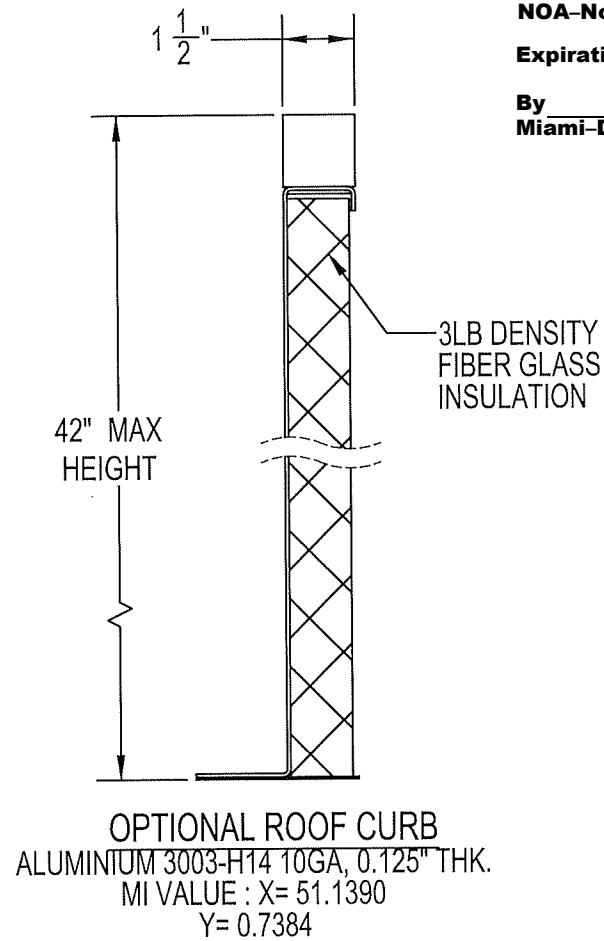
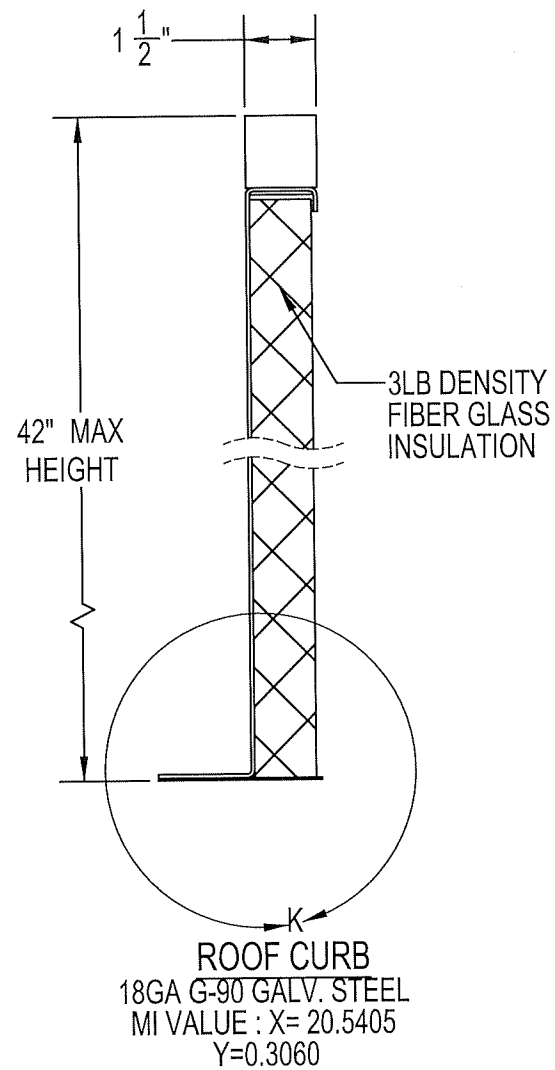
DRAWN: IC	DWG NO. 24553-0	REV B
SCALE NTS	DATE 10/31/2018	SHEET 8 OF 9

RICE ENGINEERING
105 School Creek Trail
Luxemburg, WI 54217
Phone 920-617 1042
Fax 920-617-1100
www.rice-inc.com
Florida Firm No. F-01000005081
Certificate of Authorization #9090
Wayne K. Helmila
Registration No. 59092

AUG 24 2022

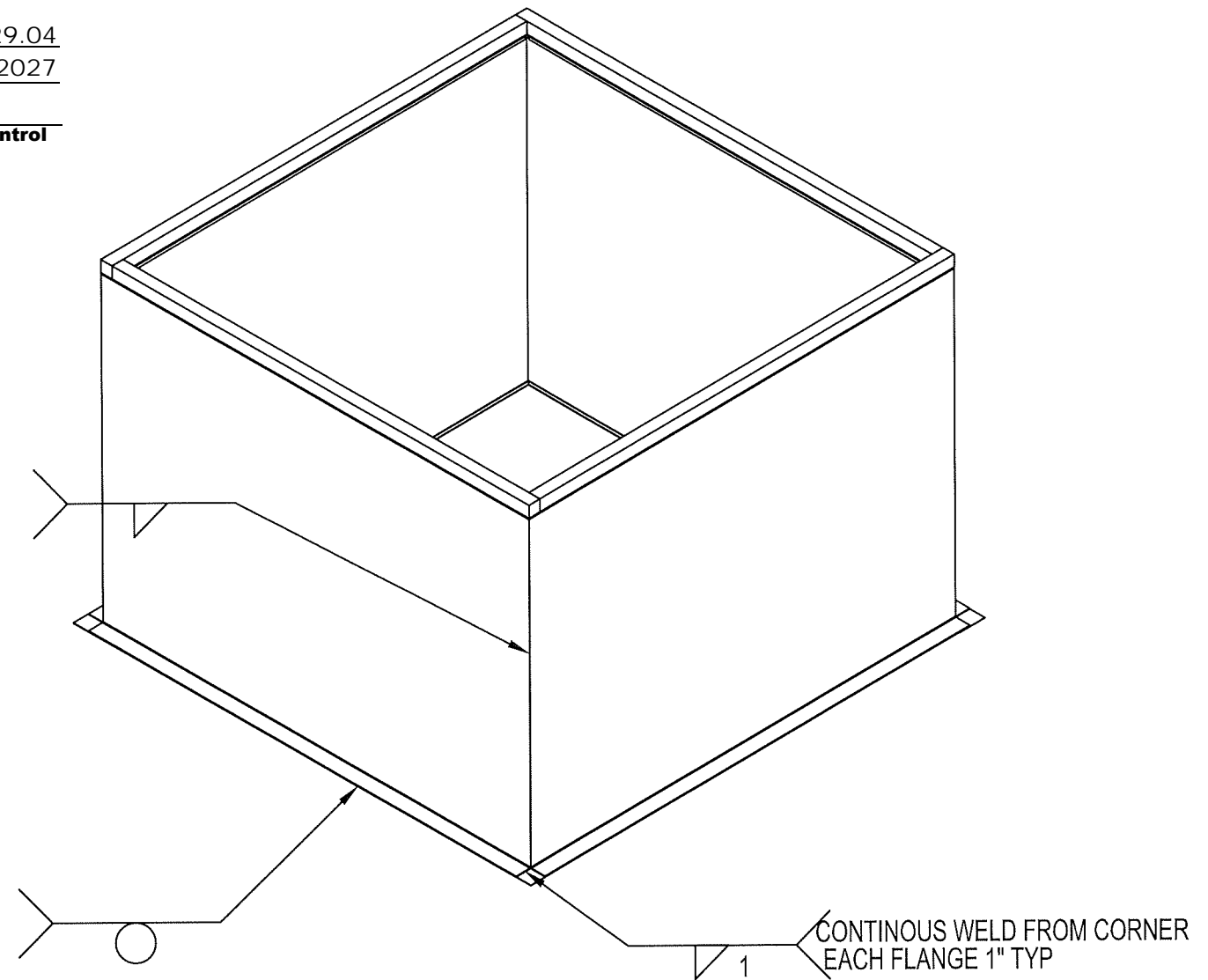
REVISIONS			
REV.	DESCRIPTION	DATE	APPROVED
C	ENGINEERING REVISION	02/08/2019	-

PRODUCT REVISED
 as complying with the Florida
 Building Code
 NOA-No. 22-0729.04
 Expiration Date 08/10/2027
 By *[Signature]*
 Miami-Dade Product Control

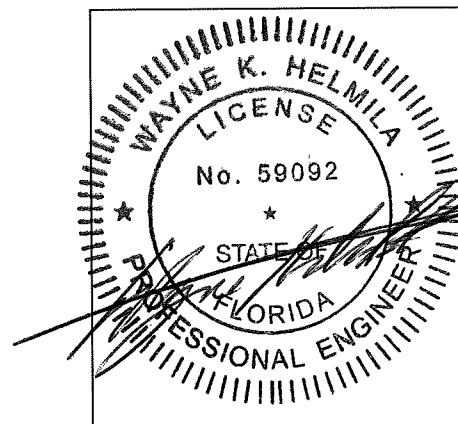
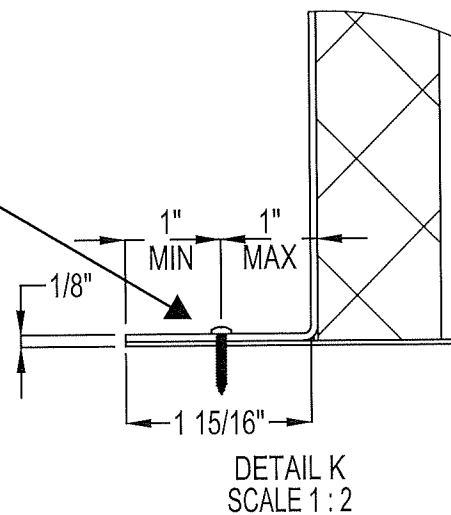


CONTINUOUS WELDED CORNERS TYP.

BASE PLATE TO CURB FLANGE TYP.
 6" SPACING



All exposed Fasteners (attaching the unit to the structure) that are not S.S. Series 300 Fasteners are to be sealed with Liquid Prosoco Flashing or equal.



PennBarry 605 Shiloh RD Plano, TX 75074

**DYNAPAK
 BELT DRIVE MODELS
 INSTALLATION DETAILS**

**RICE
 ENGINEERING**

105 School Creek Trail
 Luxemburg, WI 54217
 Phone 920-617 1042
 Fax 920-617-1100
 www.rice-inc.com

Florida Firm No. F-0100005081
 Certificate of Authorization #9090
 Wayne K. Helmila
 Registration No. 59092

DRAWN: IC	DWG NO. 24553-0	REV B
SCALE NTS	DATE 10/31/2018	SHEET 9 OF 9

AUG 24 2022