



DEPARTMENT OF REGULATORY AND ECONOMIC RESOURCES (RER)
BOARD AND CODE ADMINISTRATION DIVISION

NOTICE OF ACCEPTANCE (NOA)

MIAMI-DADE COUNTY
PRODUCT CONTROL SECTION
11805 SW 26 Street, Room 208
Miami, Florida 33175-2474
T (786) 315-2590 F (786) 315-2599
www.miamidade.gov/economy

Air System Components, Inc. dba PennBarry
605 Shiloh Road
Plano, TX 75074

SCOPE:

This NOA is being issued under the applicable rules and regulations governing the use of construction materials. The documentation submitted has been reviewed and accepted by Miami-Dade County RER-Product Control Section to be used in Miami Dade County and other areas where allowed by the Authority Having Jurisdiction (AHJ).

This NOA shall not be valid after the expiration date stated below. The Miami-Dade County Product Control Section (In Miami Dade County) and/or the AHJ (in areas other than Miami Dade County) reserve the right to have this product or material tested for quality assurance purposes. If this product or material fails to perform in the accepted manner, the manufacturer will incur the expense of such testing and the AHJ may immediately revoke, modify, or suspend the use of such product or material within their jurisdiction. RER reserves the right to revoke this acceptance if it is determined by Miami-Dade County Product Control Section that this product or material fails to meet the requirements of the applicable building code.

This product is approved as described herein and has been designed to comply with the Florida Building Code, including the High Velocity Hurricane Zone.

DESCRIPTION: DX Domex Downblast and FX Fumex Upblast Aluminum Rooftop Fans

APPROVAL DOCUMENT: Drawing No. **08-00622**, titled “DX Domex Downblast and FX Fumex Upblast Roof Vents”, sheets 1 through 14 of 14, dated 10/10/2017 and last revised on FEB 27, 2024, prepared by Air System Components, Inc. dba PennBarry, signed and sealed by Gary Hartman, P.E., bearing the Miami-Dade County Product Control renewal stamp with the Notice of Acceptance number and expiration date by the Miami-Dade County Product Control Section.

MISSILE IMPACT RATING: Large and Small Missile Impact Resistant

LABELING: Each unit shall bear a permanent label with the manufacturer's name or logo, Horizon City, TX, model/series, and following statement: "Miami-Dade County Product Control Approved", unless otherwise noted herein.

RENEWAL of this NOA shall be considered after a renewal application has been filed and there has been no change in the applicable building code negatively affecting the performance of this product.

TERMINATION of this NOA will occur after the expiration date or if there has been a revision or change in the materials, use, and/or manufacture of the product or process. Misuse of this NOA as an endorsement of any product, for sales, advertising or any other purposes shall automatically terminate this NOA. Failure to comply with any section of this NOA shall be cause for termination and removal of NOA.

ADVERTISEMENT: The NOA number preceded by the words Miami-Dade County, Florida, and followed by the expiration date may be displayed in advertising literature. If any portion of the NOA is displayed, then it shall be done in its entirety.

INSPECTION: A copy of this entire NOA shall be provided to the user by the manufacturer or its distributors and shall be available for inspection at the job site at the request of the Building Official.

This NOA **revises & renews NOA # 20-0625.14** and consists of this page 1 and evidence pages E-1, E-2 and E-3, as well as approval document mentioned above.

The submitted documentation was reviewed by **Ishaq I. Chanda, P.E.**

Ishaq I. Chanda



NOA No. 24-0104.04
Expiration Date: March 11, 2029
Approval Date: March 14, 2024
Page 1

NOTICE OF ACCEPTANCE: EVIDENCE SUBMITTED

1. Evidence submitted under previous NOA's

A. DRAWINGS *"Submitted under NOA #17-0112.06"*

1. Drawing No. **08-00622**, titled "DX Domex Downblast and FX Fumex Upblast Roof Vents", sheets 1 through 11 of 11, dated 08/22/2016, prepared by Air System Components, Inc. dba PennBarry, signed and sealed by Thomas D. Sullivan, P.E.

B. TESTS *"Submitted under NOA #17-0112.06"*

1. Test reports on 1) Uniform Static Air Pressure Test, Loading per FBC TAS 202-94
2) Large Missile Impact Test per FBC, TAS 201-94
along with marked-up drawings and installation diagram of Series/Model Domex (DX) 36 and 11 aluminum roof vents, prepared by Intertek/ATI, Test Report No. **G2326.01-801-18**, dated 09/09/2016, with revision dated 02/28/2017, signed and sealed by Tyler Westerling, P.E.
2. Test reports on 1) Uniform Static Air Pressure Test, Loading per FBC TAS 202-94
2) Large Missile Impact Test per FBC, TAS 201-94
along with marked-up drawings and installation diagram of Series/Model Fumex (FX) 36 and 8 aluminum roof vents, prepared by Intertek/ATI, Test Report No. **G2363.01-801-18**, dated 09/18/2016, with revision dated 02/28/2017, signed and sealed by Tyler Westerling, P.E.

"Submitted under NOA # 10-0324.03"

3. Test reports on Uniform Static Air Pressure Test, Loading per FBC TAS 202-94 along with marked-up drawings and installation diagram of Series/Models DX36B and FX36B aluminum roof vents, prepared by Architectural Testing, Inc., Test Report No. **95871.01-801-18**, dated 01/21/2010, signed and sealed by Joseph A. Reed, P.E.

"Submitted under NOA # 09-1015.03"

4. Test reports on 1) Uniform Static Air Pressure Test, Loading per FBC TAS 202-94
2) Large Missile Impact Test per FBC, TAS 201-94
along with marked-up drawings and installation diagram of Series/Model FX36B aluminum roof vents, prepared by Architectural Testing, Inc., Test Report No. **83741.01-801-18**, dated 09/19/08, with **Revision 2** dated 09/03/2009, signed and sealed by Joseph A. Reed, P.E.
5. Test reports on 1) Uniform Static Air Pressure Test, Loading per FBC TAS 202-94
2) Large Missile Impact Test per FBC, TAS 201-94
along with marked-up drawings and installation diagram of Series/Model DX36B aluminum roof vents, prepared by Architectural Testing, Inc., Test Report No. **83743.01-801-18**, dated 09/19/08, with **Revision 2** dated 09/03/2009, signed and sealed by Joseph A. Reed, P.E.

C. CALCULATIONS *"Submitted under NOA #17-0112.06"*

1. Anchoring verification calculations prepared by JB & B Engineering Consultants, LLC, dated 03/15/2017, signed and sealed by Thomas D. Sullivan, P.E.

"Submitted under NOA # 10-0324.03"

2. Engineering Evaluation Report No. **511006-2**, prepared L. Roberto Lomas, P.E., dated 02/16/2010, signed and sealed by Luis R. Lomas, P.E.

Ishaq I. Chanda

Ishaq I. Chanda, P.E.
Product Control Unit Supervisor
NOA No. 24-0104.04
Expiration Date: March 11, 2029
Approval Date: March 14, 2024

NOTICE OF ACCEPTANCE: EVIDENCE SUBMITTED

C. CALCULATIONS (Continued)

“Submitted under NOA # 08-1202.13”

3. Anchoring verification calculations dated 10/28/2008, prepared, signed and sealed by Luis R. Lomas, P.E.

D. QUALITY ASSURANCE

1. Miami-Dade Department of Regulatory and Economic Resources (RER)

E. MATERIAL CERTIFICATIONS

1. None.

F. STATEMENTS *“Submitted under NOA #17-0112.06”*

1. Statement letters of code conformance to the 5th edition (2014) of the FBC and of no financial interest, dated 04/03/2017, issued, signed and sealed by Thomas D. Sullivan, P.E.

2. Evidence submitted under previous submittal

A. DRAWINGS

1. Drawing No. **08-00622**, titled “DX Domex Downblast and FX Fumex Upblast Roof Vents”, sheets 1 through 14 of 14, dated 10/10/2017, prepared by Air System Components, Inc. dba PennBarry, signed and sealed by Thomas D. Sullivan, P.E. on 01/26/2018.

B. TESTS

1. None.

C. CALCULATIONS

1. None.

D. QUALITY ASSURANCE

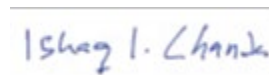
1. Miami-Dade Department of Regulatory and Economic Resources (RER)

E. MATERIAL CERTIFICATIONS

1. None.

F. STATEMENTS

1. Statement letters of code conformance to the 6th edition (2017) FBC issued by JB&B Engineering Consultants. LLC, dated 01/26/2018, issued, signed and sealed by Thomas D. Sullivan, P.E.
2. Distributor agreement dated 04/01/2020.



Ishaq I. Chanda, P.E.
Product Control Unit Supervisor
NOA No. 24-0104.04
Expiration Date: March 11, 2029
Approval Date: March 14, 2024

NOTICE OF ACCEPTANCE: EVIDENCE SUBMITTED

3. New evidence submitted

A. DRAWINGS

1. Drawing No. **08-00622**, titled “DX Domex Downblast and FX Fumex Upblast Roof Vents”, sheets 1 through 14 of 14, dated 10/10/2017 and last revised on FEB 27, 2024, prepared by Air System Components, Inc. dba PennBarry, signed and sealed by Gary Hartman, P.E.

B. TESTS (submitted under previous approval)

1. None.

C. CALCULATIONS

1. Anchor verification calculations and structural analysis, complying with **FBC 8th Edition (2023)**, dated 02/16/24, signed and sealed by Gary Hartman, P.E.

D. QUALITY ASSURANCE

1. Miami-Dade Department of Regulatory and Economic Resources (RER)

E. MATERIAL CERTIFICATIONS

1. None.

F. STATEMENTS

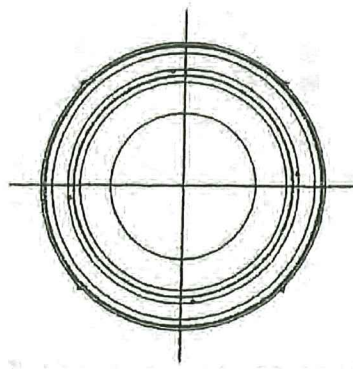
1. Statement letters of code conformance to the 8th edition (FBC 2023) issued by ICC-NTA, LLC, dated FEB 27, 2024, signed and sealed by Gary Hartman, P.E. (Technical Director).
2. Statement letter dated 03/05/24 of Successor adopting another Engineer work, per FLA rule 61G15-27.001, issued by ICC-NTA, LLC, signed and sealed by Gary Hartman, P.E. (Technical Director).

G. OTHER

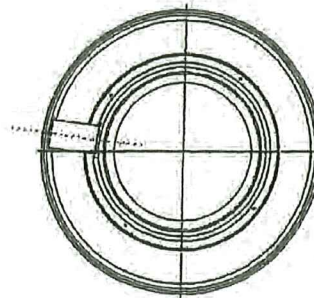
1. This NOA **revises & renews NOA # 20-0625.14**, expiring 03/11/2029.
2. Distributor agreement dated 04/01/2020 (submitted under previous approval).

Ishaq I. Chanda

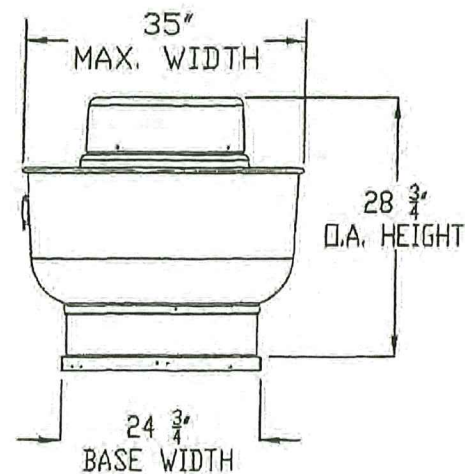
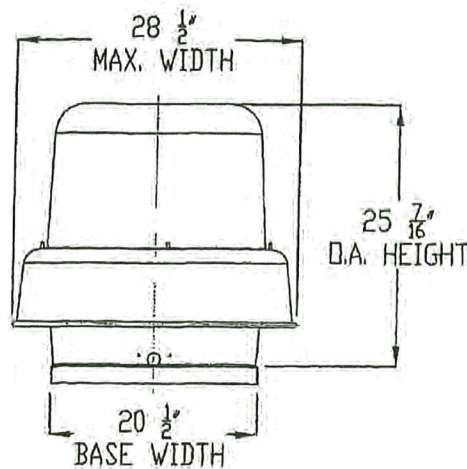
Ishaq I. Chanda, P.E.
Product Control Unit Supervisor
NOA No. 24-0104.04
Expiration Date: March 11, 2029
Approval Date: March 14, 2024



DX11B DOME X DOWNBLAST ROOF VENT
TOP VIEW



FX08B FUMEX UPBLAST ROOF VENT
TOP VIEW

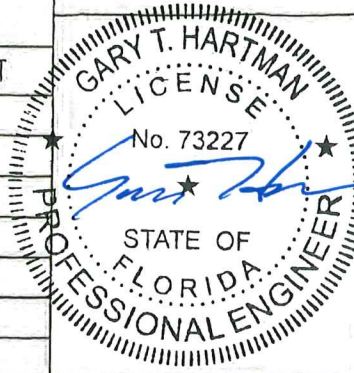


REVISIONS			
REV.	DESCRIPTION	DATE	APPROVED
C	Sheets 1, 6-11; Anchor schedule/details	2/13/2024	GTH

NOTES:

1. THE PRODUCT SHOWN HEREIN IS DESIGNED & MANUFACTURED TO COMPLY WITH REQUIREMENTS OF FLORIDA BUILDING CODE INCLUDING THE HVHZ.
2. WOOD FRAMING, METAL FRAMING TO BE DESIGNED & ANCHORED TO PROPERLY TRANSFER ALL LOADS TO STRUCTURE. FRAMING IS THE RESPONSIBILITY OF THE ARCHITECT OR ENGINEER OF RECORD.
3. CONTRACTOR IS RESPONSIBLE FOR MAINTAINING STRUCTURAL INTEGRITY OF UNIT OPENING & ALL WOOD FRAMING AROUND UNIT.
4. APPROVED IMPACT PROTECTIVE SYSTEM IS NOT REQUIRED FOR THIS PRODUCT IN WIND-BORNE DEBRIS REGIONS.
5. SHIM IS REQUIRED AT EACH INSTALLATION ANCHOR WITH LOAD BEARING SHIM. SHIM WHERE SPACE OF 1/16" OR GREATER OCCURS MAX. ALLOWABLE SHIM STACK TO BE 1/4".
6. FOR INSTALLATION INTO WOOD FRAMING OR 2x BUCK USE, #12 WOOD SCREW WITH SUFFICIENT LENGTH TO ACHIEVE A 1 1/2" MIN. EMBEDMENT INTO SUBSTRATE. LOCATE ANCHORS AS SHOWN IN THE ELEVATIONS & INSTALLATION DETAILS.
7. FOR INSTALLATION INTO CONCRETE SLAB, USE 3/16" ITW TAPCON WITH SUFFICIENT LENGTH TO ACHIEVE A 1 3/4" MIN. EMBEDMENT INTO SUBSTRATE. LOCATE ANCHORS AS SHOWN IN THE ELEVATIONS AND INSTALLATIONS DETAILS.
8. FOR ANCHORING INTO STEEL FRAMING USE #12 TEK SELF TAPPING SCREWS WITH SUFFICIENT LENGTH TO ACHIEVE A MIN. EMBEDMENT OF THREE THREADS PAST THE FRAME THICKNESS. LOCATE ANCHORS AS SHOWN IN ELEVATIONS AND INSTALLATIONS DETAILS.
9. ALL INSTALLATIONS FASTENERS TO BE CORROSION RESISTANT.
10. INSTALLATION ANCHORS SHALL BE INSTALLED IN ACCORDANCE WITH ANCHOR MANUFACTURER'S INSTALLATION INSTRUCTIONS & ANCHORS SHALL NOT BE USED IN SUBSTRATES WITH STRENGTHS LESS THAN THE MIN. STRENGTH SPECIFIED BELOW -
 1. WOOD - MIN. SPECIFIC GRAVITY OF G=0.55 per Calcs.
 2. CONCRETE - MIN. COMPRESSIVE STRENGTH OF 3000 PSI
 3. METAL FRAMING - 0.125" MIN. THICKNESS
11. ALLOWABLE STRESS INCREASE OF 1/3 WAS NOT USED IN THE DESIGN OF THE PRODUCT SHOWN HEREIN. WIND LOAD DURATION FACTOR Cd=1.6 WAS USED FOR WOOD ANCHOR CALCULATIONS
12. VENT HOUSING MATERIAL : 1100-O ALUMINUM
13. VENT BASE MATERIAL : MIN. 0.042" THK G-90 GALVANIZED STEEL OR MIN. 0.102" THK ALUMINUM 3003-H14
14. GREASE BOX & EXTERNAL WEATHERPROOF JUNCTION BOX MAY BE ATTACHED TO THIS PRODUCT. GREASE BOX & EXTERNAL WEATHERPROOF JUNCTION BOX ARE NOT THE PART OF THIS APPROVAL
15. THIS APPROVAL IS FOR STRUCTURAL CAPACITY AND IMP. TESTING OF THE EXTERIOR HOUSING ONLY, IT DOES NOT INCLUDE ANY INTERIOR MECHANISM AND/OR ELECTRICAL DEVICE OR CIRCUIT
16. THESE FANS HAVE NOT BEEN TESTED FOR WATER PENETRATION

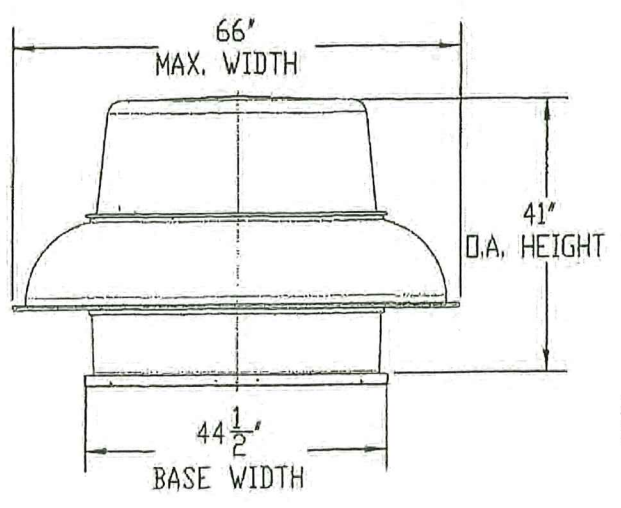
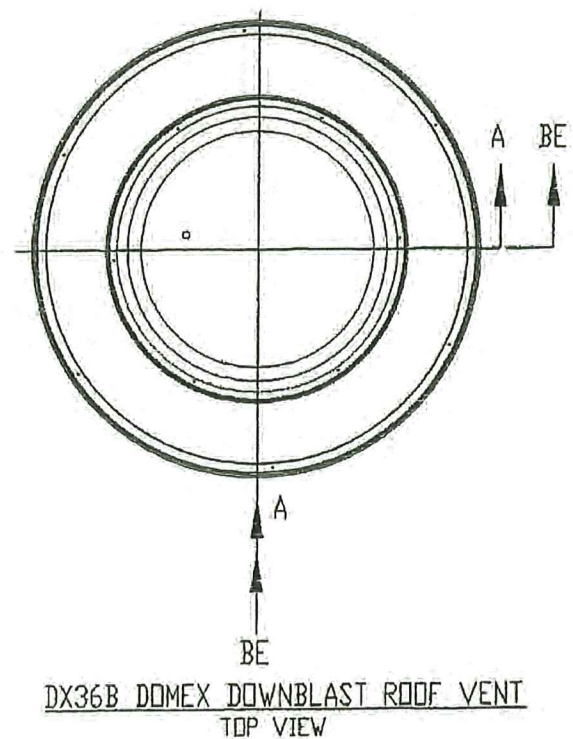
DESIGN PRESSURE RATING	IMPACT RATING
± 70.0PSF	LARGE AND SMALL MISSILE IMPACT
TABLE OF CONTENTS	
SHEET NO.	DESCRIPTION
1	GENERAL NOTES, ELEVATION & TOP VIEWS
2-3	ELEVATION, TOP VIEWS, DIMENSIONS TABLE
4-5	BILL OF MATERIALS & SECTIONS
6-12	INSTALLATION DETAILS
13-14	COMPONENTS



PennBarry 605 Shiloh RD Plano, TX 75074		
Dx DOME X DOWNBLAST ROOF VENT Fx FUMEX UPBLAST ROOF VENT ELEVATION, TOP VIEW & GENERAL NOTES		
DRAWN	DWG NO.	REV
AMIT	08-00622	
SCALE	DATE	SHEET
NTS	10/10/2017	1 OF 14
PRODUCT RENEWED as complying with the Florida Building Code NOA-No. 24-0104.04 Expiration Date 03/11/2029 By <u>Ishaq I. Chank</u> Miami-Dade Product Control		

GS637.01-122-34

FEB 27 2024



PRODUCT RENEWED
as complying with the Florida
Building Code
NOA-No. 24-0104.04
Expiration Date 03/11/2029
By Ishag I. Chank
Miami-Dade Product Control



REVISIONS			
REV.	DESCRIPTION	DATE	APPROVED
A			

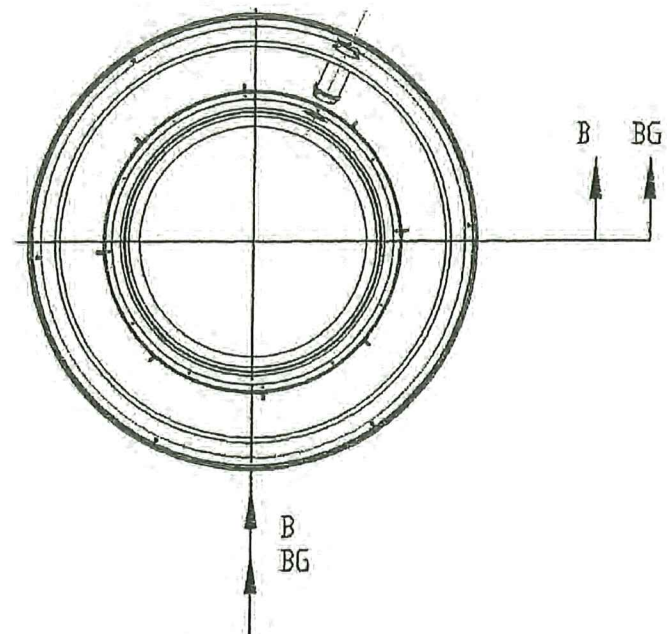
APPROVED MODELS - DOMEX BELT DRIVES					
MODEL NAME	DRIVE	BASE WIDTH (IN)	MAX. WIDTH (IN)	D.A. HEIGHT (IN)	WEIGHT (LBS)
DX11B	BELT	20 1/2	28 1/2	25 7/16	55
DX12B	BELT	24 3/4	33 1/2	29	98
DX14B					
DX16B	BELT	28 1/2	39	31	132
DX18B					
DX24B	BELT	33 1/2	46	33	183
DX27B	BELT	36 1/2	53 1/2	35	210
DX30B					
DX36B	BELT	44 1/2	66	41	420

APPROVED MODELS-DOMEX DIRECT DRIVES					
MODEL NAME	DRIVE	BASE WIDTH (IN)	MAX. WIDTH (IN)	D.A. HEIGHT (IN)	WEIGHT (LBS)
DX13V/S/R	DIRECT	18 1/2	21 7/16	14 3/4	36
DX13Q					43
DX13V/S/R GP	DIRECT(ECM)	18 1/2	21 7/16	18 1/2	36
DX13QGP					43
DX16V/S/R/Q1/Q2	DIRECT	20 1/2	28 1/2	22 1/2	56
DX16V/S/R/Q1/Q2 GP	DIRECT(ECM)				
DX18V	DIRECT	28 1/2	39	31	78
DX18VGP	DIRECT(ECM)	28 1/2	39	31	78

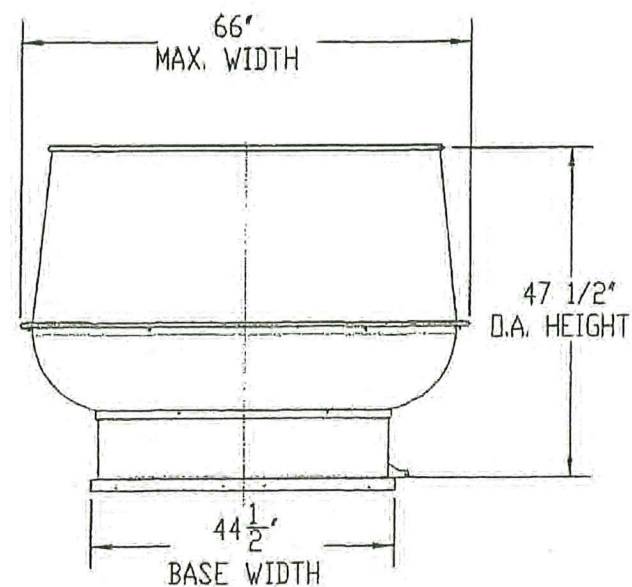
NOTES:
1. SUFFIX GP IS USED FOR "GREEN PLUS" EC DIRECT DRIVE MOTORS

PennBarry 605 Shiloh RD Plano, TX 75074		
Dx DOMEX DOWNBLAST ROOF VENT Fx FUMEX UPBLAST ROOF VENT ELEVATION, TOP VIEW & DIMENSIONS TABLE		
DRAWN AMIT	DWG NO. 08-00622	REV
SCALE NTS	DATE 10/10/2017	SHEET 2 OF 14

FEB 27 2024

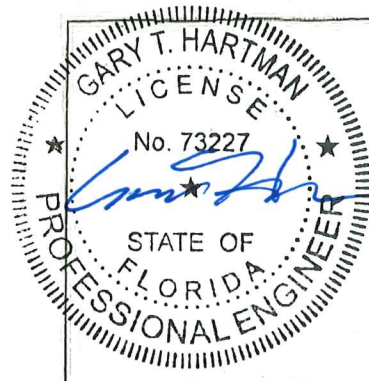


FX36B FUMEX UPBLAST ROOF VENT
TOP VIEW



PRODUCT RENEWED
as complying with the Florida
Building Code
NOA-No. 24-0104.04
Expiration Date 03/11/2029
By Ishaq I. Chande
Miami-Dade Product Control

Ishaq I. Chande



PennBarry 605 Shiloh RD Plano, TX 75074

Dx DOME DOWNBLAST ROOF VENT
Fx FUMEX UPBLAST ROOF VENT
ELEVATION, TOP VIEW & DIMENSIONS. TABLE

DRAWN	DWG NO.	REV
AMIT	08-00622	
SCALE	DATE	SHEET
NTS	10/10/2017	3 OF 14

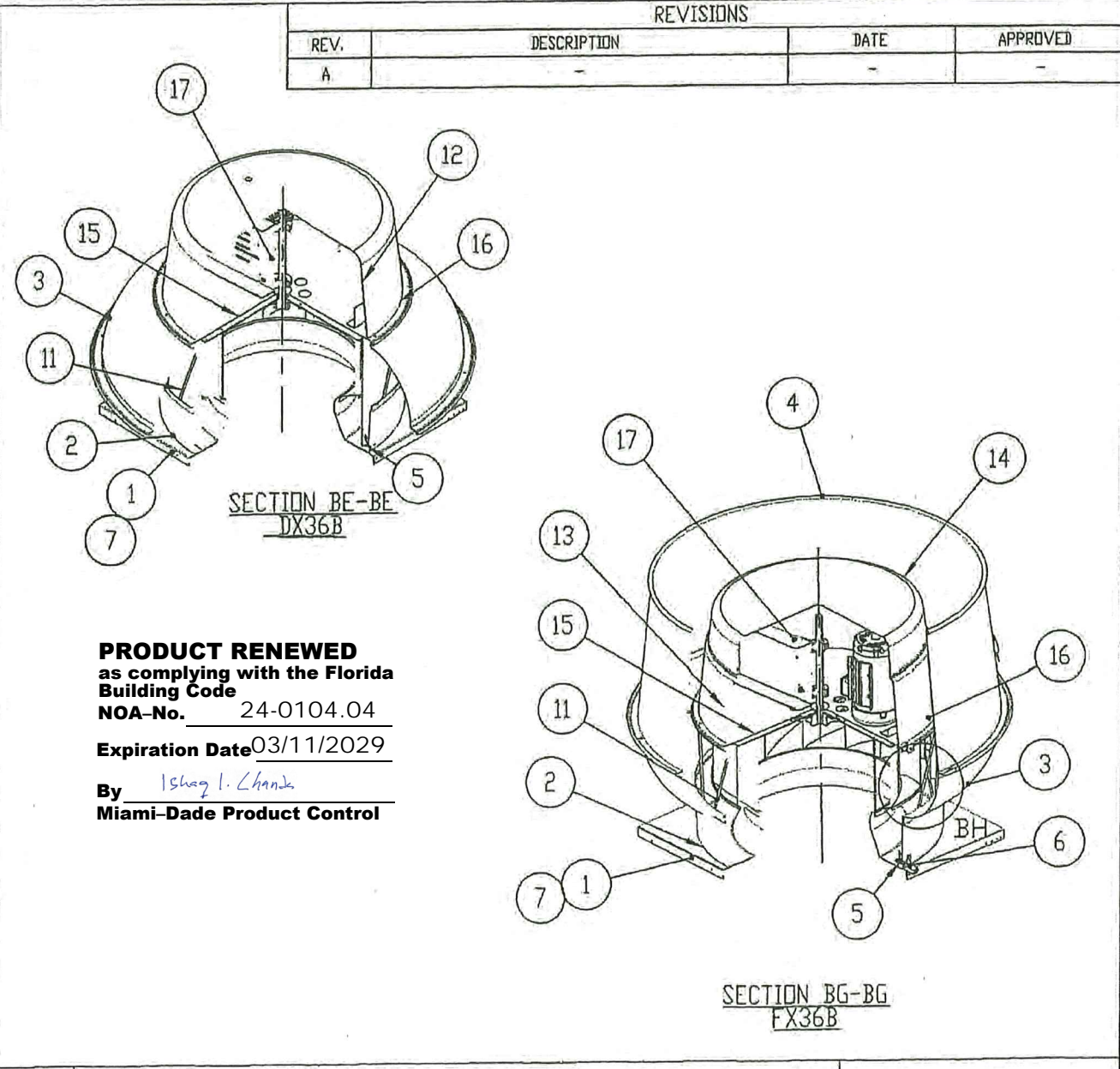
NOTES:
1. SUFFIX GP IS USED FOR 'GREEN PLUS' EC DIRECT DRIVE MOTORS

FEB 27 2024

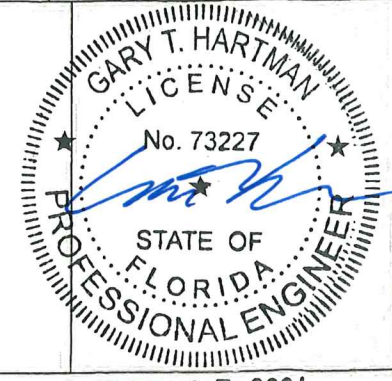
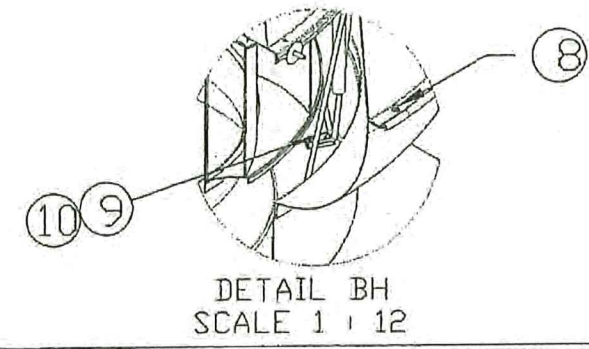
REVISIONS					
REV.	DESCRIPTION	DATE	APPROVED		
A					
APPROVED MODELS - FUMEX BELT DRIVE					
MODEL NAME	DRIVE	BASE WIDTH (IN)	MAX WIDTH (IN)	O.A. HEIGHT (IN)	WEIGHT (LBS)
FX08B	BELT DRIVE	24 3/4	35	28 3/4	96
FX10B	BELT DRIVE	24 3/4	35	28 3/4	96
FX12BH	BELT DRIVE	24 3/4	35	28 3/4	109
FX13B	BELT DRIVE	24 3/4	35	28 3/4	110
FX13BHFT	BELT DRIVE	24 3/4	35	28 3/4	115
FX14B	BELT DRIVE	24 3/4	35	28 3/4	112
FX16B	BELT DRIVE	28 1/2	39	31	144
FX18B	BELT DRIVE	28 1/2	39	31	145
FX18BH	BELT DRIVE	28 1/2	39	31	142
FX24B	BELT DRIVE	33 1/2	46	34 1/2	190
FX24BH	BELT DRIVE	33 1/2	46	34 1/2	187
FX27B	BELT DRIVE	36 1/2	53 1/2	35 1/2	219
FX30B	BELT DRIVE	36 1/2	53 1/2	35 1/2	219
FX36B	BELT DRIVE	44 1/2	66	47 1/2	470

APPROVED MODELS - FUMEX DIRECT DRIVE					
MODEL NAME	DRIVE	BASE WIDTH (IN)	MAX. WIDTH (IN)	O.A. HEIGHT (IN)	WEIGHT (LBS)
FX08V/R/S/Q	DIRECT	18 1/2	25	14 1/8	29
FX10V/R/S/Q					32
FX11V/R/S					42
FX11Q					44
FX08V/R/S/Q GP	DIRECT(ECM)	18 1/2	25	16 7/8	29
FX10V/R/S/Q GP					32
FX11V/R/S GP					42
FX11Q GP					44
FX13V/S/R	DIRECT	18 1/2	25 1/2	16 1/2	45
FX13Q					52
FX13V/S/R GP	DIRECT(ECM)	18 1/2	25 1/2	16 1/2	45
FX13QGP					52
FX16V/S/R/Q1/Q2	DIRECT	20 1/2	30 3/4	22 3/8	71
FX16V/S/R/Q1/Q2 GP	DIRECT(ECM)	20 1/2	30 3/4	22 3/8	71
FX18V	DIRECT	28 1/2	39	31	87
FX18VGP	DIRECT	28 1/2	39	31	87

ITEM NO.	PART NUMBER	DESCRIPTION	MANUFACTURER	MATERIAL
1	16006-1	OPTIONAL BASE	PENNBARRY	G-90 GALV. STEEL
2	16036-0	VENTURI FUMEX	PENNBARRY	1060 ALLOY
3	16128-0	DISCHARGE APRON	PENNBARRY	ALUMINUM 1100-D
4	16153-0	WINDBAND	PENNBARRY	ALUMINUM 1100-D
5	18380-0	Wire Clip Brace		
6	16392-0	DRAIN SPOUT	PENNBARRY	ALUMINUM 1100-H14
7	16006-0	BASE	PENNBARRY	ALUM 3003-H14
8	55696-0	WHIZ BOLT 1/4-20x3/4"	PENNBARRY	
9	55500-0	1/4-20 SERRATED FLANGE NUT	ILS	SAE J995 GRADE 2
10	Whiz Bolt	10-32 X 1/2" WHIZ BOLT	PENNBARRY	
11	16255-0	WIRE SUPPORT	RACINE IRON & WIRE	G-90 GALV. CRS
12	16178-0	MOTOR HOOD	PENNBARRY	ALUMINUM 1100-0
13	16230-0	HOOD BOTTOM	PENNBARRY	ALUMINUM 1100-D
14	16205-0	HOOD TOP	PENNBARRY	ALUMINUM 1100-D
15	16055-0	TOP PLATE	PENNBARRY	ALUMINUM 1100-D
16	63010-0	VIBRATION ISOLATOR	ELECTROLINE CORP.	SANTOPRENE
17	16304-0	MOTOR MOUNTING PLATE	PENNBARRY	G-90 GALV. CRS
18	16280-0	MOTOR SUPPORT ANGLE	PENNBARRY	G-90 GALV. STEEL



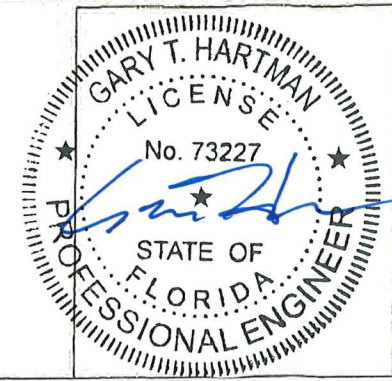
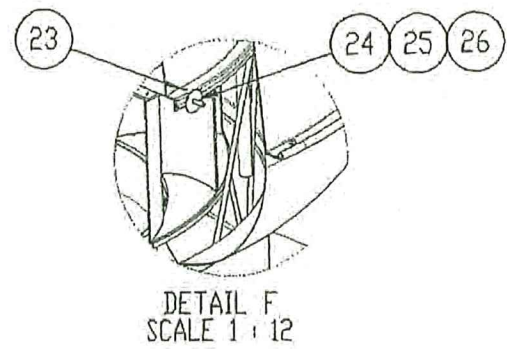
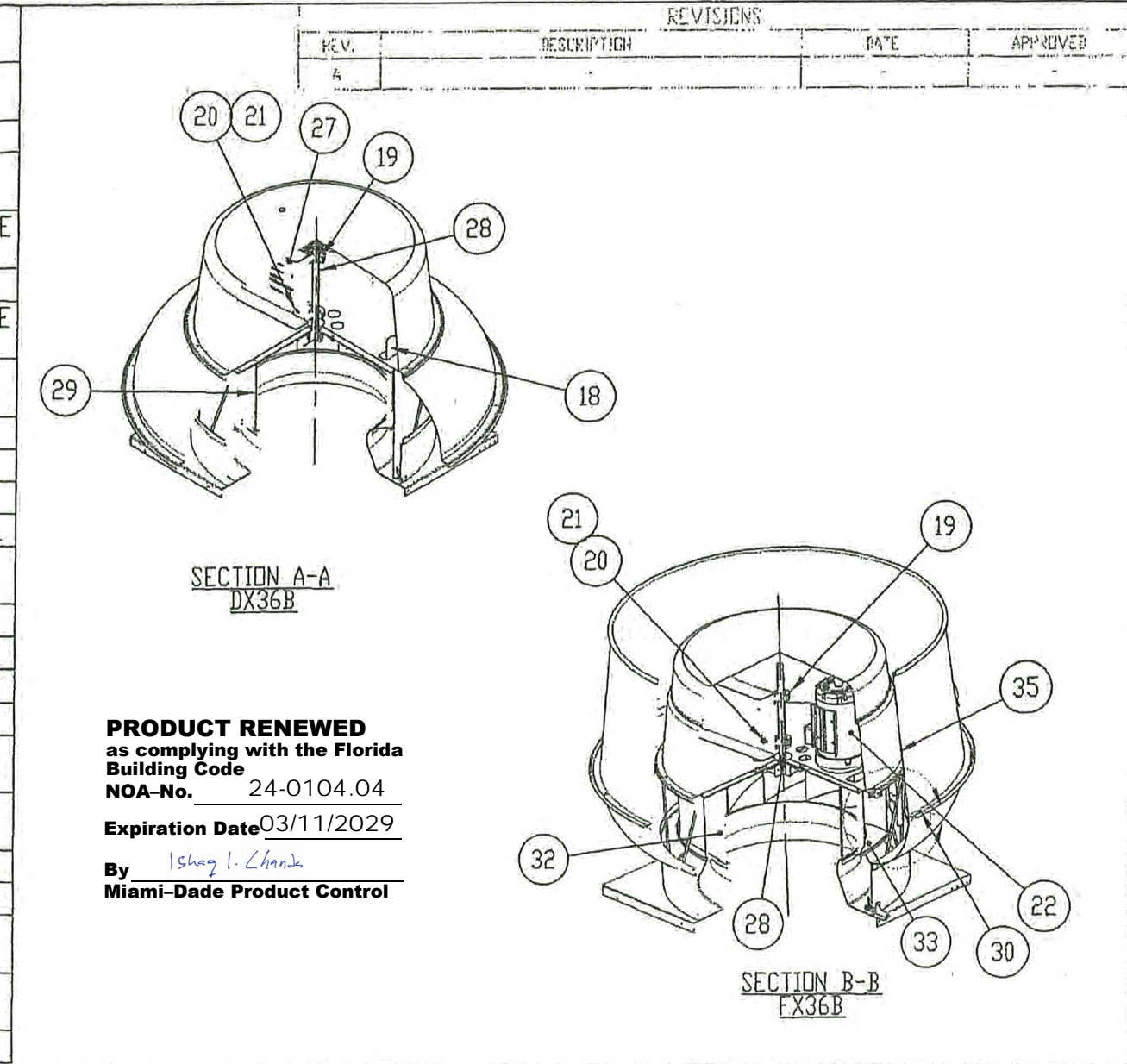
PRODUCT RENEWED
as complying with the Florida
Building Code
NOA-No. 24-0104.04
Expiration Date 03/11/2029
By Ishag I. Chanda
Miami-Dade Product Control



PennBarry 605 Shiloh RD Plano, TX 75074		
Dx DOMEX DOWNBLAST ROOF VENT Fx FUMEX UPBLAST ROOF VENT INSTALLATION DETAILS		
DRAWN AMIT	DWG NO. 08-00622	REV
SCALE NTS	DATE 10/10/2017	SHEET 4 OF 14

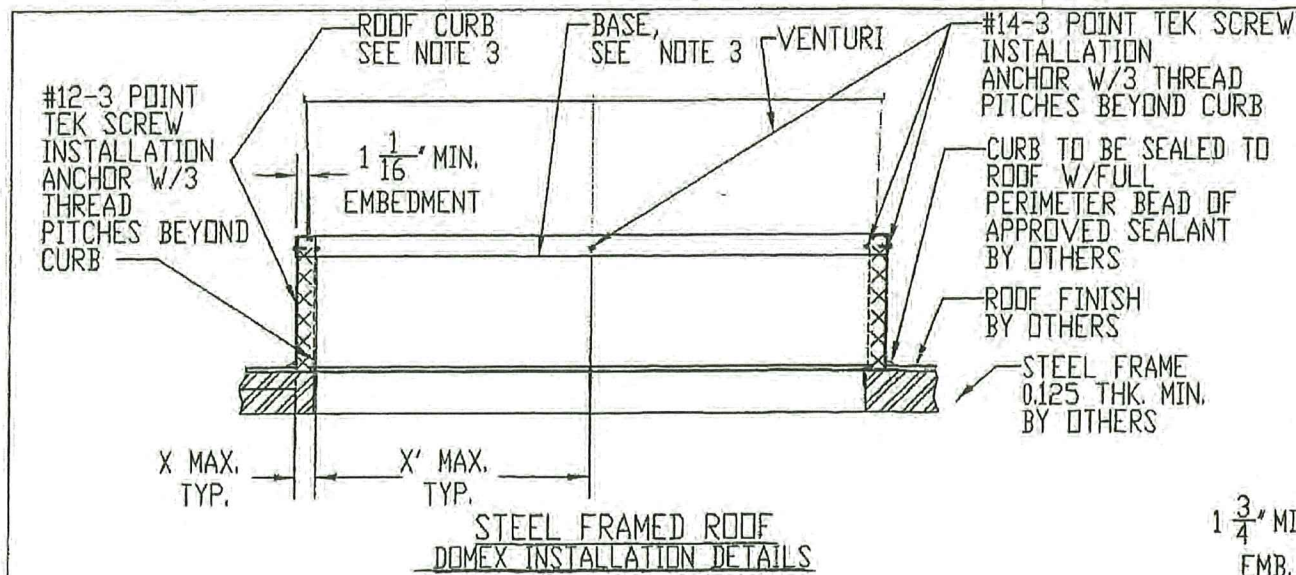
FEB 27 2024

ITEM NO.	PART NUMBER	DESCRIPTION	MANUFACTURER	MATERIAL
1	16280-0	MOTOR SUPPORT ANGLE	PENNBARRY	G-90 GALV. STEEL
19	57091-0	BEARING	BALDORE DODGE	CAST IRON
20	55510-0	1/2-13 SERRATED FLANGE NUT	ILS	ZINC COATED STEEL
21	55601-0	1/2-13 x 1 1/2" HEX. SERRATED FLANGE SCREW	ILS	SAE J429 GRADE 2
22	MOTOR	MOTOR	-	-
23	55501-0	5/16-18 SERRATED LARGE FLANGE NUT	ILS	SAE J995 GRADE 2
24	55541-0	WASHER 1/8"x3/8"x1 3/4"	ILS	ZINC PLATED STEEL
25	Whiz Bolt	10-32 X 1/2" WHIZ BOLT		
26	55500-0	WHIZ NUT 1/4-20	PENNBARRY	
27	Whiz Bolt	5/16-18 X 1 1/2" WHIZ BOLT		
28	03348-0	SHAFT	DEM CORP.	CD 1045 STEEL
29	21179-0	FAN WHEEL	PENNBARRY	ALUMINUM, VARIOUS
30	Whiz Bolt	1/4-20 X 1" WHIZ BOLT	PENNBARRY	
31	13386-0	WHEEL MALE	PENNBARRY	3003-H14 ALUM
32	13027-0	WHEEL BLADE	PENNBARRY	ALUM 5052-H32
33	13029-1	WHEEL FEMALE	PENNBARRY	3003-0 ALUM
34	16405-0	COOLING TUBE ASSY.	PENNBARRY	ALUMINUM 6005-T5
35	16406-0	COOLING TUBE	PENNBARRY	ALUMINUM 6005-T5
36	55286-0	Cotter Pln, 4-1/2" x 5/32"		
37	63043-0	GROMMET	RUBBERMILL	BLACK SILICONE
38	18285-0	HORIZONTAL BRACE	PENNBARRY	G-90 GALV. STEEL
39		ROOF CURB (OPTIONAL)	RPS	G-90 GALV. STEEL
40		ROOF CURB	WARD INDUSTRIES	ALUM 3003-H14

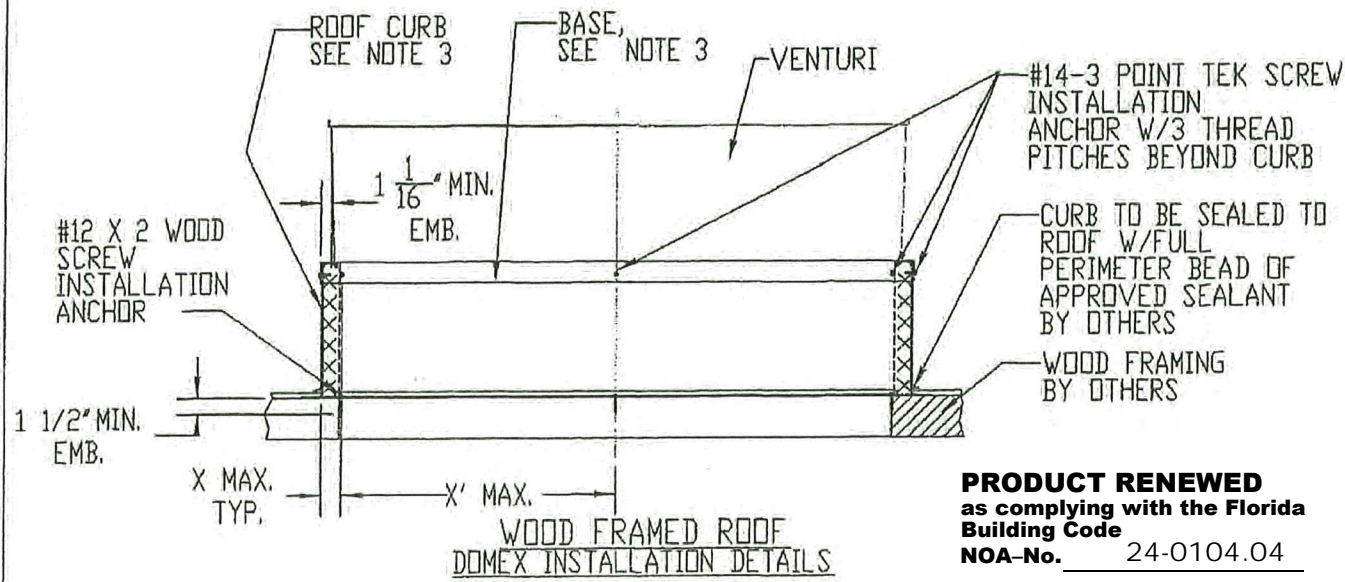


PennBarry 605 Shiloh RD Plano, TX 75074		
Dx DOMEX DOWNBLAST ROOF VENT Fx FUMEX UPBLAST ROOF VENT INSTALLATION DETAILS		
DRAWN AMIT	DWG NO. 08-00622	REV
SCALE NTS	DATE 10/10/2017	SHEET 5 OF 14

FEB 27 2024



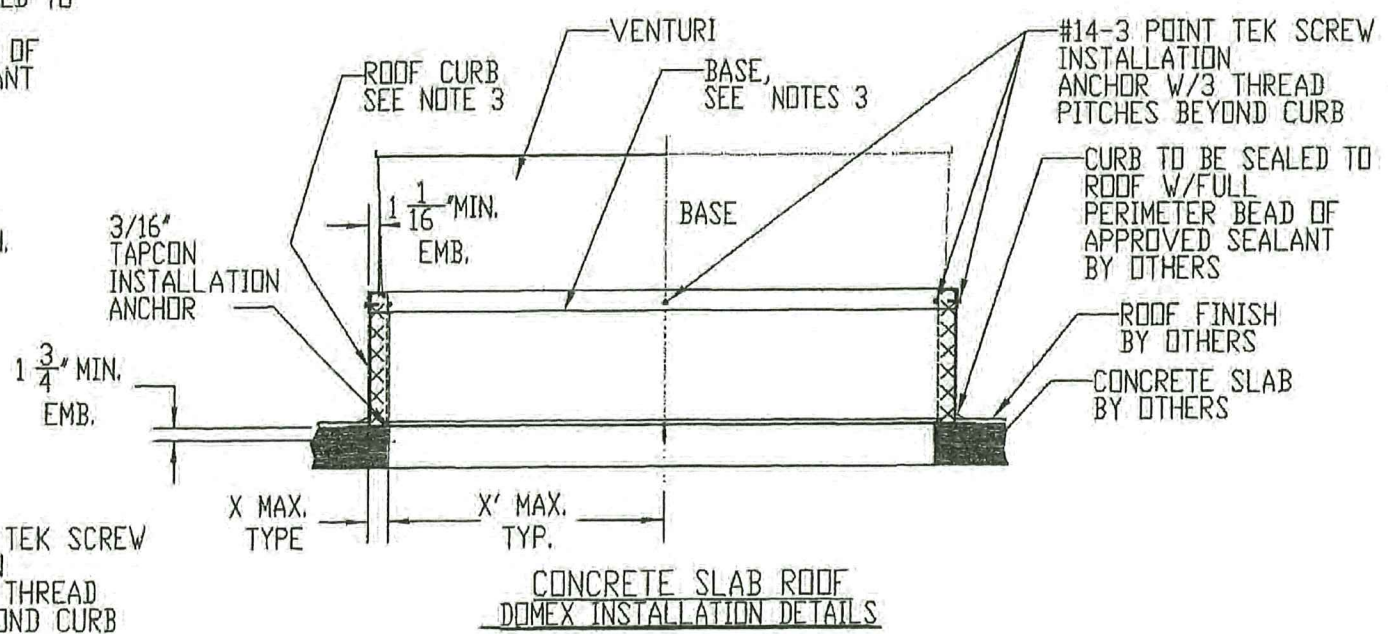
STEEL FRAMED ROOF
DOMEX INSTALLATION DETAILS



WOOD FRAMED ROOF
DOMEX INSTALLATION DETAILS

PRODUCT RENEWED
as complying with the Florida
Building Code
NOA-No. 24-0104.04
Expiration Date 03/11/2029
By Ishag I. Chand
Miami-Dade Product Control

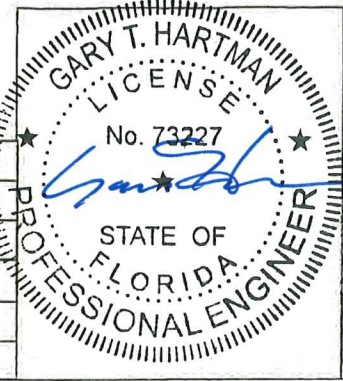
REVISIONS			
REV.	DESCRIPTION	DATE	APPROVED
C	Anchor schedule/details	2/16/2024	GTH



CONCRETE SLAB ROOF
DOMEX INSTALLATION DETAILS

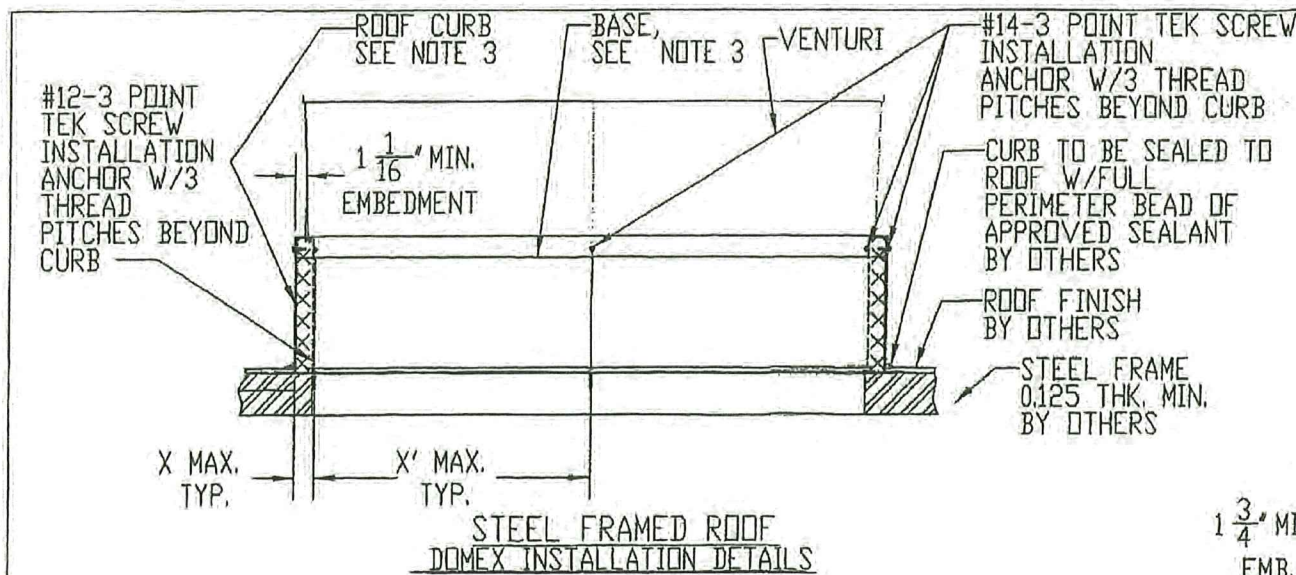
- NOTES:
1. ALL FOUR SIDES OF CURB AND BASE ARE ANCHORED IDENTICALLY.
 2. ROOF CURB IS INSTALLED TO ROOF FIRST. FAN IS THEN MOUNTED TO CURB USING #14-3POINT TEK SCREWS AS SHOWN ABOVE.
 3. SEE SHEET 12, COMPONENTS FOR ROOF CURB CONSTRUCTION.
 4. UNITS MAYBE INSTALLED WITH ITEM 40, ALUMINUM 3003-H14 CURB OR ITEM 39, GALVANIZED STEEL CURB.
 5. UNITS MAY BE INSTALLED WITH ITEM 7, ALUMINUM 3003-H14 BASE OR ITEM 1, GALVANIZED STEEL BASE.

	Roof Curb to Roof Deck Anchors				
	#14-3 SCREWS	X MAX	Metal Roof X'MAX. (#of anchors)	Wood Roof X'MAX. (#of anchors)	Concrete Roof X'MAX. (#of anchors)
DX11B	12	2	9 (3 per side)	7 (4 per side)	9 (3 per side)
DX12B	12	2	8 (4 per side)	6 (5 per side)	8 (4 per side)
DX14B	12	2	8 (4 per side)	7 (5 per side)	8 (4 per side)

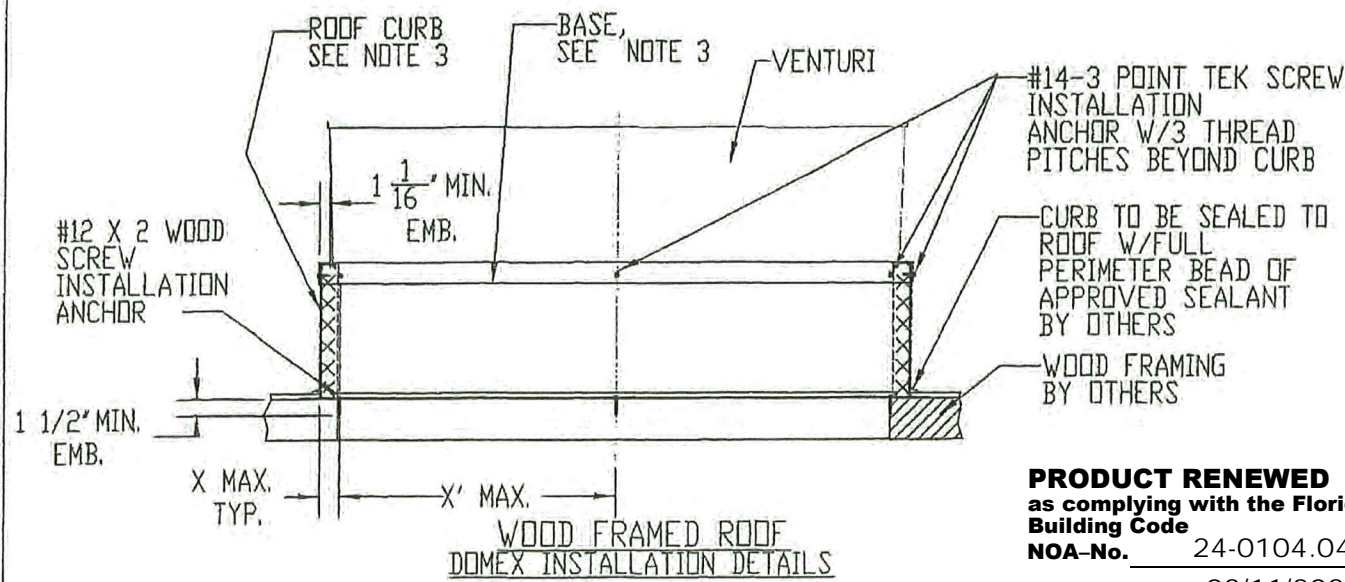


PennBarry 605 Shiloh RD Plano, TX 75074		
Dx DOMEX DOWNBLAST ROOF VENT Fx FUMEX UPBLAST ROOF VENT INSTALLATION DETAILS		
DRAWN AMIT	DWG NO. 08-00622	REV
SCALE NTS	DATE 10/10/2017	SHEET 6 OF 14

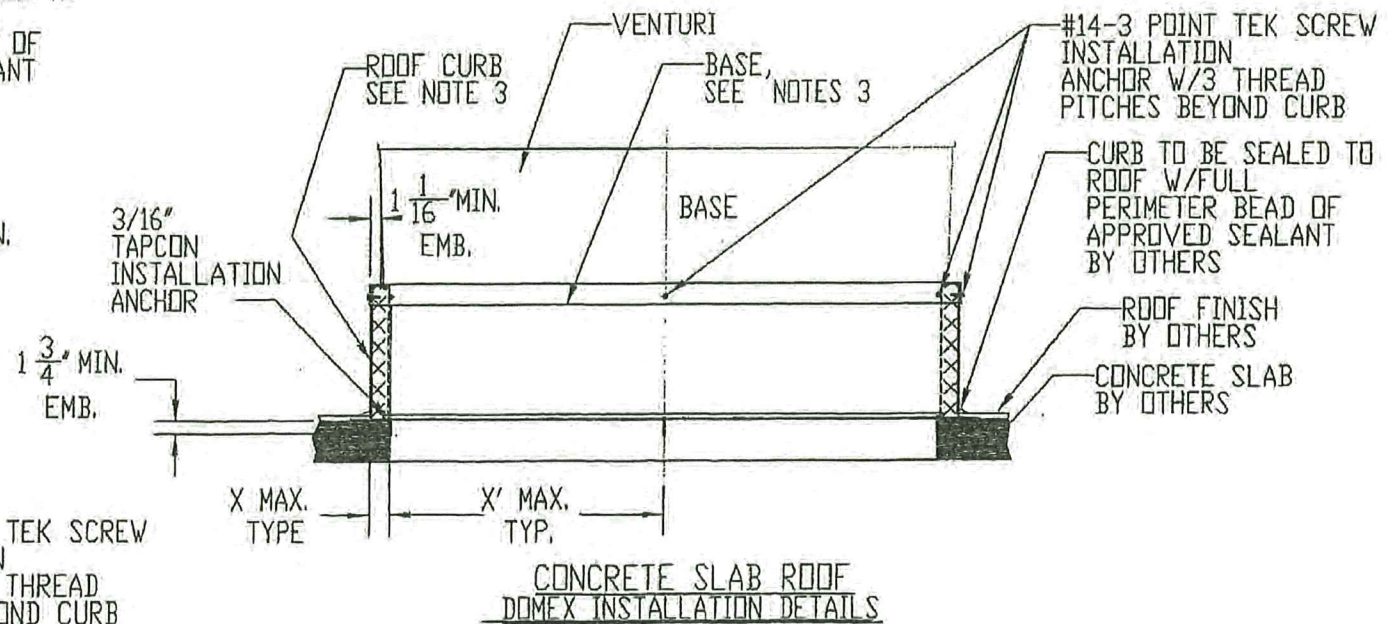
FEB 27 2024



STEEL FRAMED ROOF
DOMEX INSTALLATION DETAILS



WOOD FRAMED ROOF
DOMEX INSTALLATION DETAILS



CONCRETE SLAB ROOF
DOMEX INSTALLATION DETAILS

- NOTES:
1. ALL FOUR SIDES OF CURB AND BASE ARE ANCHORED IDENTICALLY.
 2. ROOF CURB IS INSTALLED TO ROOF FIRST. FAN IS THEN MOUNTED TO CURB USING #14-3POINT TEK SCREWS AS SHOWN ABOVE.
 3. SEE SHEET 12, COMPONENTS FOR ROOF CURB CONSTRUCTION.
 4. UNITS MAYBE INSTALLED WITH ITEM 40, ALUMINUM 3003-H14 CURB OR ITEM 39, GALVANIZED STEEL CURB.
 5. UNITS MAY BE INSTALLED WITH ITEM 7, ALUMINUM 3003-H14 BASE OR ITEM 1, GALVANIZED STEEL BASE.
 6. SUFFIX "GP" IS USED FOR GREEN PLUS EC MOTORS.

PRODUCT RENEWED
as complying with the Florida
Building Code
NOA-No. 24-0104.04
Expiration Date 03/11/2029
By Ishaq I. Chank
Miami-Dade Product Control

	Roof Curb to Roof Deck Anchors				
	#14-3 SCREWS	X MAX	Metal Roof X'MAX. (#of anchors)	Wood Roof X'MAX. (#of anchors)	Concrete Roof X'MAX. (#of anchors)
DX13(V/S/R/Q)/(GP)	12	2	8 (3 per side)	6 (4 per side)	8 (3 per side)
DX16(V/S/R/Q1/Q2)/(GP)	12	2	8 (4 per side)	7 (5 per side)	8 (4 per side)
DX18V/(GP)	12	2	10 (4 per side)	7 (5 per side)	9 (4 per side)



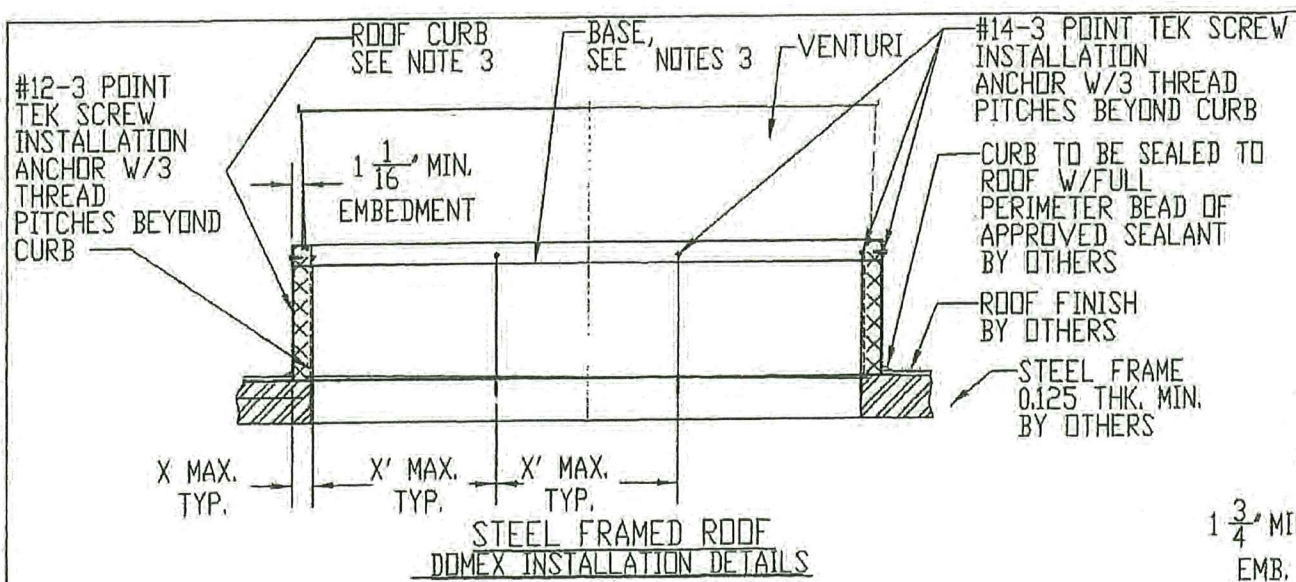
FEB 27 2024

REVISIONS			
REV.	DESCRIPTION	DATE	APPROVED
C	Anchor schedule/details	2/16/2024	GTH

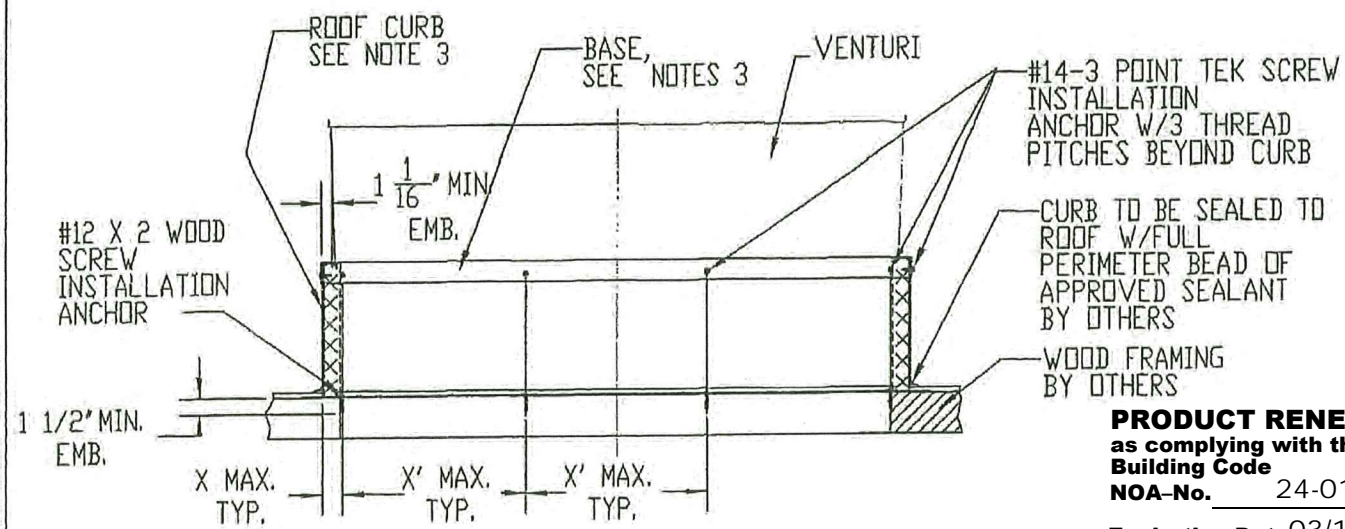
PennBarry 605 Shiloh RD Plano, TX 75074

Dx DOMEX DOWNBLAST ROOF VENT
Fx FUMEX UPBLAST ROOF VENT
INSTALLATION DETAILS

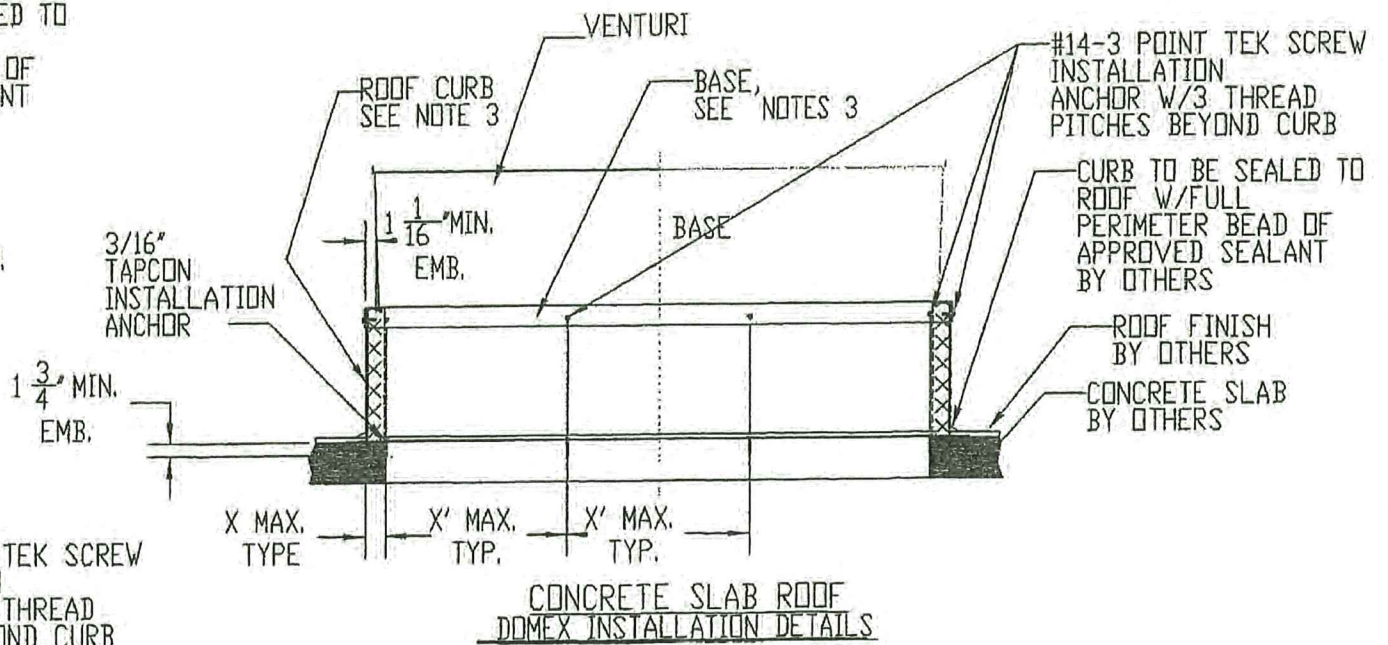
DRAWN AMIT	DWG. NO. 08-00622	REV
SCALE NTS	DATE 10/10/2017	SHEET 7 OF 14



STEEL FRAMED ROOF
DOMEX INSTALLATION DETAILS



WOOD FRAMED ROOF
DOMEX INSTALLATION DETAILS



CONCRETE SLAB ROOF
DOMEX INSTALLATION DETAILS

- NOTES:
1. ALL FOUR SIDES OF CURB AND BASE ARE ANCHORED IDENTICALLY.
 2. ROOF CURB IS INSTALLED TO ROOF FIRST. FAN IS THEN MOUNTED TO CURB USING #14-3POINT TEK SCREWS AS SHOWN ABOVE.
 3. SEE SHEET 12, COMPONENTS FOR ROOF CURB CONSTRUCTION.
 4. UNITS MAYBE INSTALLED WITH ITEM 40, ALUMINUM 3003-H14 CURB OR ITEM 39, GALVANIZED STEEL CURB.
 5. UNITS MAY BE INSTALLED WITH ITEM 7, ALUMINUM 3003-H14 BASE OR ITEM 1, GALVANIZED STEEL BASE.

PRODUCT RENEWED
as complying with the Florida
Building Code
NOA-No. 24-0104.04
Expiration Date 03/11/2029
By Ishaq I. Chand
Miami-Dade Product Control

REVISIONS			
REV.	DESCRIPTION	DATE	APPROVED
C	Anchor schedule/details	2/16/2024	GTH

	Roof Curb to Roof Deck Anchors				
	#14-3 SCREWS	X MAX	Metal Roof	Wood Roof	Concrete Roof
			X'MAX. (#of anchors)	X'MAX. (#of anchors)	X'MAX. (#of anchors)
DX16B	16	2	11 (4 per side)	8 (5 per side)	11 (4 per side)
DX18B	16	2	11 (4 per side)	8 (5 per side)	11 (4 per side)
DX24B	16	2	9 (5 per side)	9 (6 per side)	9 (5 per side)
DX27B	16	2	9 (5 per side)	9 (6 per side)	9 (5 per side)
DX30B	16	2	9 (5 per side)	9 (6 per side)	9 (5 per side)
DX36B	16	2	10 (6 per side)	7 (7 per side)	12 (5 per side)

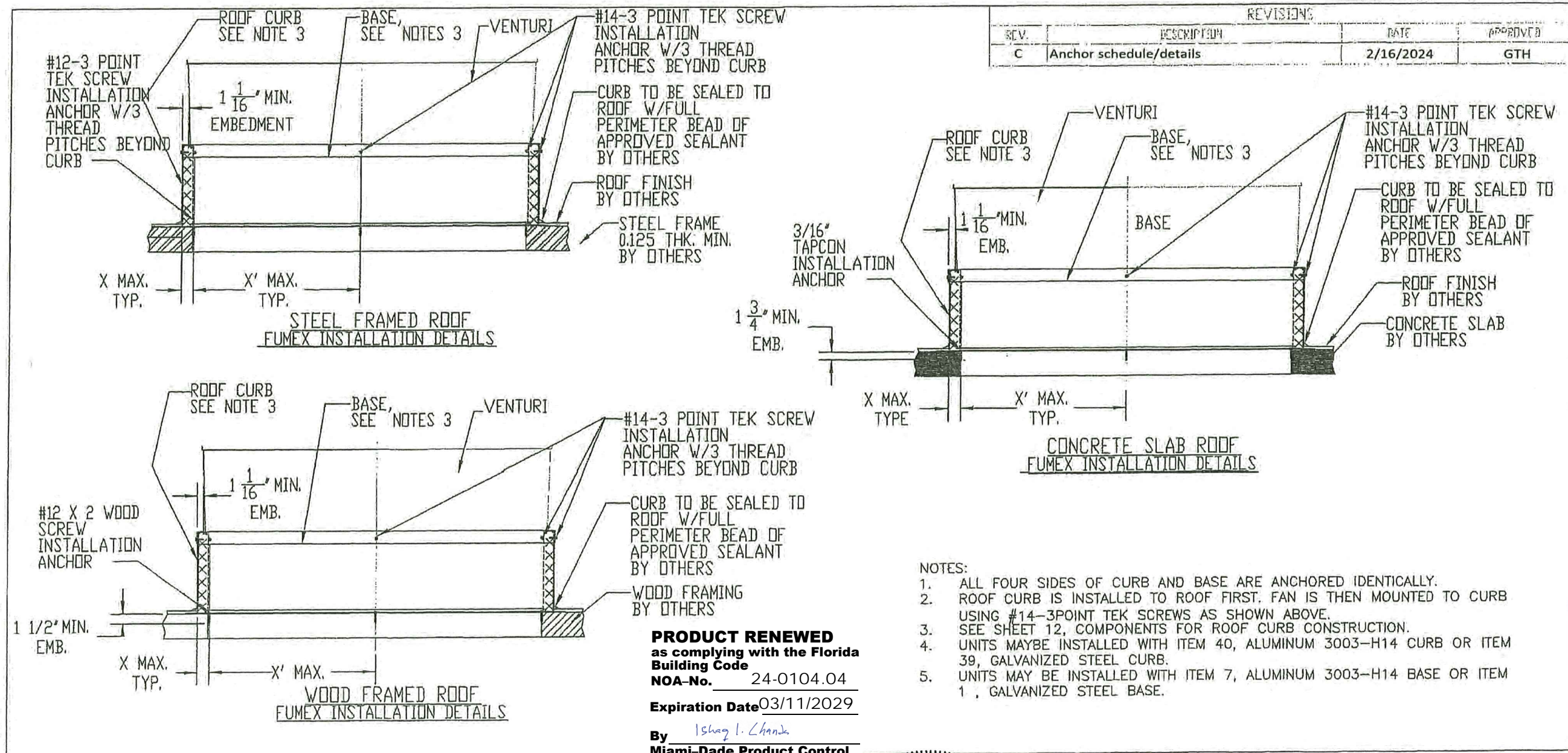


PennBarry 605 Shiloh RD Plano, TX 75074

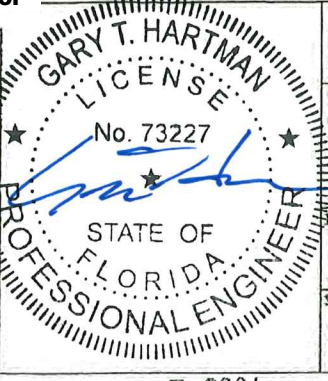
Dx DOMEX DOWNBLAST ROOF VENT
Fx FUMEX UPBLAST ROOF VENT
INSTALLATION DETAILS

SCALE	DATE	SHEET	REV
AMIT	10/10/2017	08-00622	
NTS			8 OF 14

FEB 27 2024



	Roof Curb to Roof Deck Anchors				
	# 14-3 Screws	X MAX	Metal Roof X'MAX.(# of anchors)	Wood Roof X'MAX.(# of anchors)	Concrete Roof X'MAX.(# of anchors)
FX08B	12	2	9 (4 per side)	8 (5 per side)	11 (3 per side)
FX10B	12	2	9 (4 per side)	8 (5 per side)	11 (3 per side)
FX12BH	12	2	9 (4 per side)	8 (5 per side)	11 (3 per side)
FX13B/FX13BHFT	12	2	9 (4 per side)	8 (5 per side)	11 (3 per side)
FX14B	12	2	9 (4 per side)	8 (5 per side)	11 (3 per side)

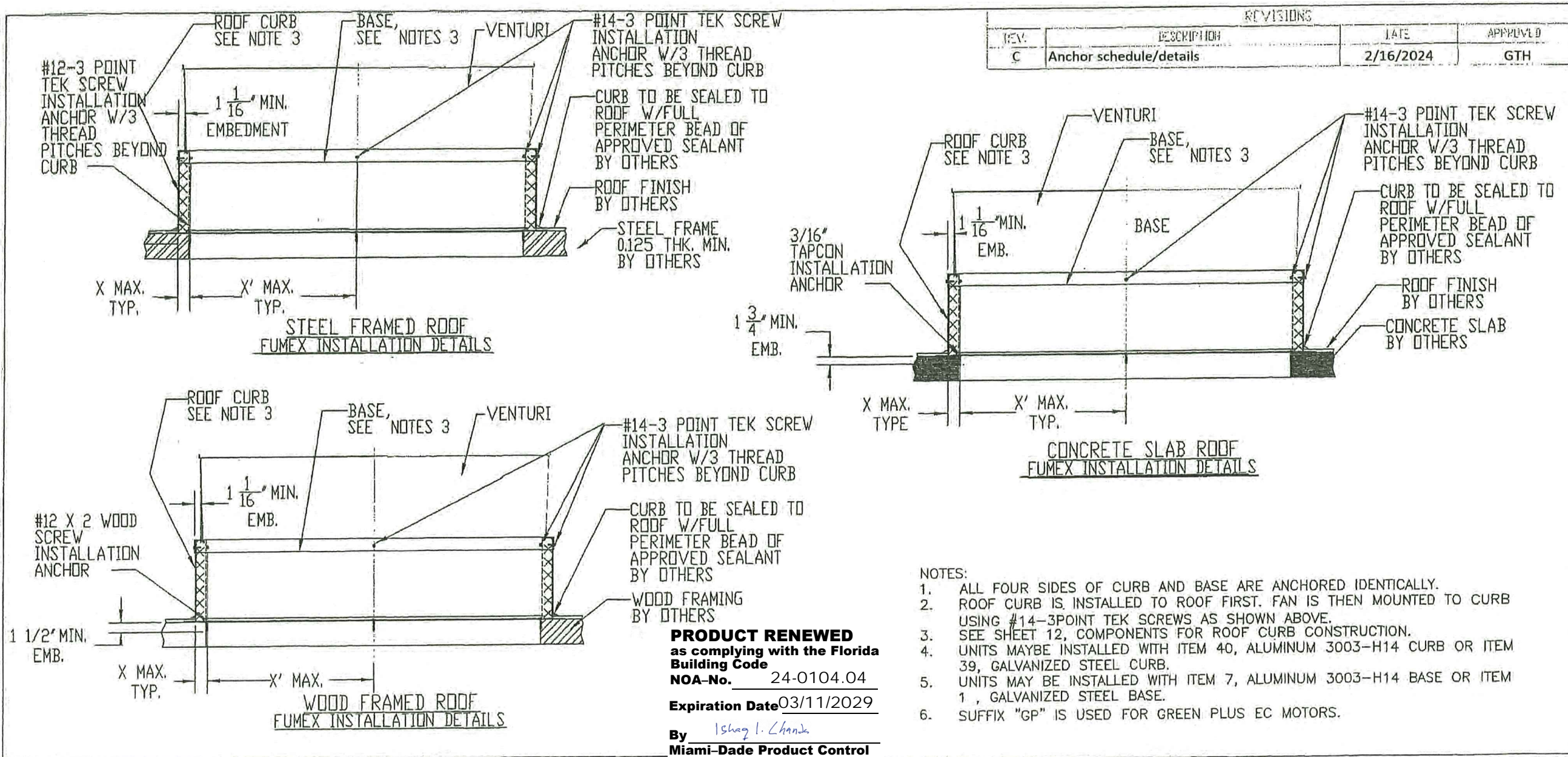


PennBarry 605 Shiloh RD Plano, TX 75074

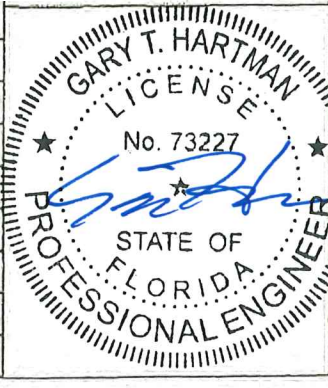
Dx DOMEK DOWNBLAST ROOF VENT
Fx FUMEX UPBLAST ROOF VENT
INSTALLATION DETAILS

DRAWN	AMIT	DWG NO.	08-00622	REV
SCALE	NTS	DATE	10/10/2017	SHEET
				9 OF 14

FEB 27 2024

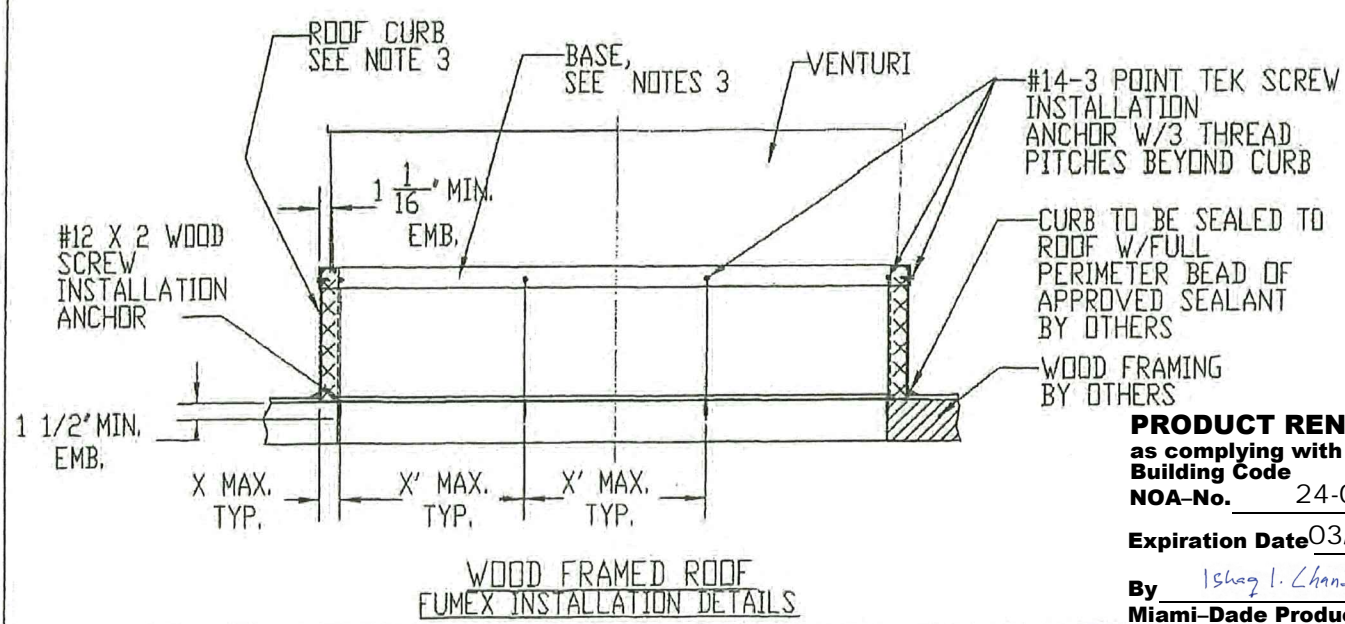
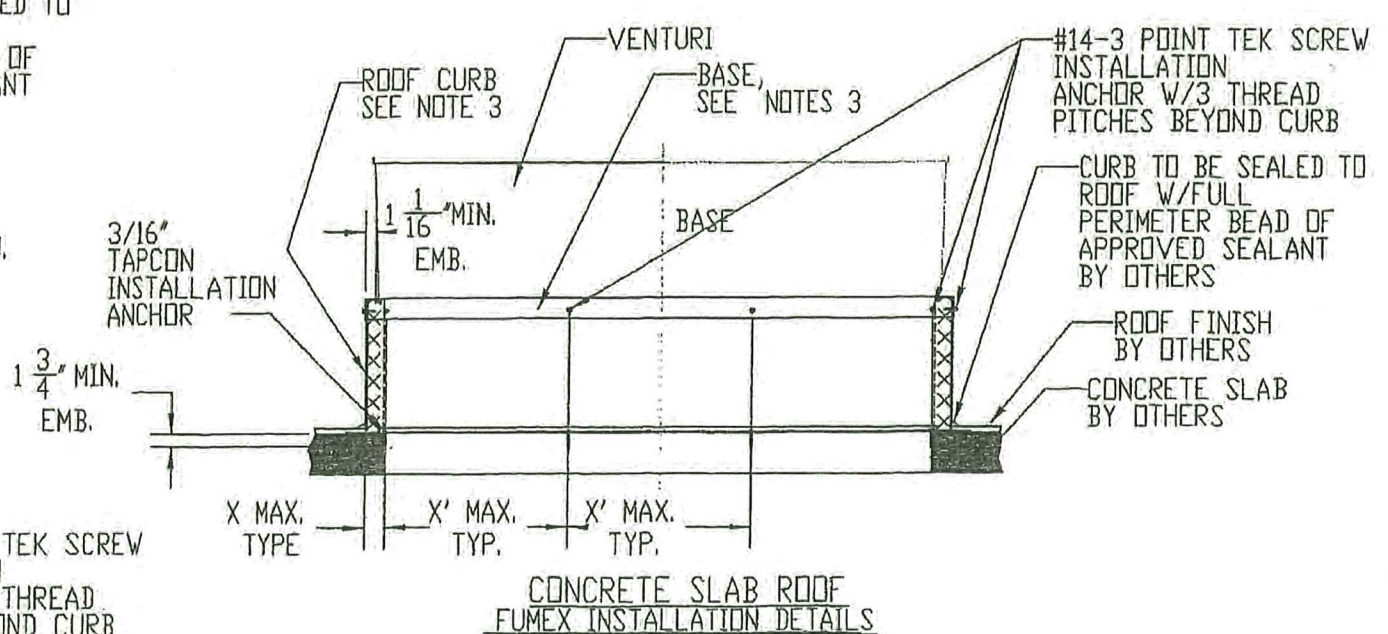
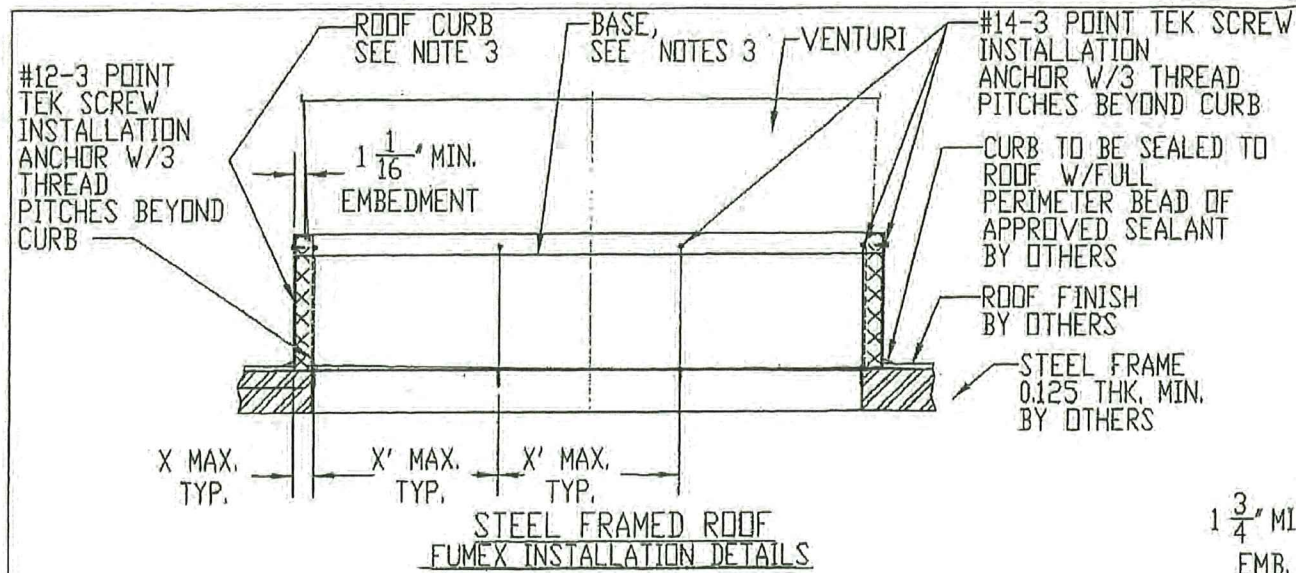


	Roof Curb to Roof Deck Anchors				
	# 14-3 Screws	X MAX	Metal Roof X'MAX.(# of anchors)	Wood Roof X'MAX.(# of anchors)	Concrete Roof X'MAX.(# of anchors)
FX08(V/S/R/Q)/GP	12	2	8 (3 per side)	8 (3 per side)	8 (3 per side)
FX10(V/S/R/Q)/GP	12	2	8 (3 per side)	8 (3 per side)	8 (3 per side)
FX11(V/S/R/Q)/GP	12	2	8 (3 per side)	8 (3 per side)	8 (3 per side)
FX13(V/S/R/Q)/GP	12	2	8 (3 per side)	8 (3 per side)	8 (3 per side)
FX16(V/S/R/Q)/GP	12	2	9 (3 per side)	8 (4 per side)	9 (3 per side)
FX18(V)/GP	12	2	14 (4 per side)	9 (5 per side)	14 (4 per side)



PennBarry 605 Shiloh RD Plano, TX 75074			
Dx DOMEX DOWNBLAST ROOF VENT Fx FUMEX UPBLAST ROOF VENT INSTALLATION DETAILS			
AMIT	DWG NO.	08-00622	REV
NTS	DATE	10/10/2017	SHEET
			10 OF 14

FEB 27 2024

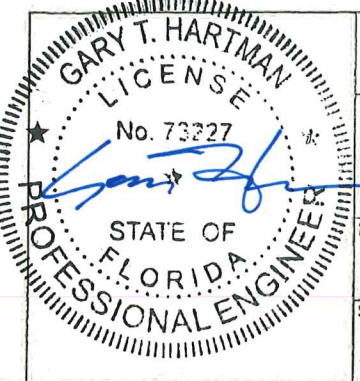


- NOTES:
1. ALL FOUR SIDES OF CURB AND BASE ARE ANCHORED IDENTICALLY.
 2. ROOF CURB IS INSTALLED TO ROOF FIRST. FAN IS THEN MOUNTED TO CURB USING #14-3POINT TEK SCREWS AS SHOWN ABOVE.
 3. SEE SHEET 12, COMPONENTS FOR ROOF CURB CONSTRUCTION.
 4. UNITS MAYBE INSTALLED WITH ITEM 40, ALUMINUM 3003-H14 CURB OR ITEM 39, GALVANIZED STEEL CURB.
 5. UNITS MAY BE INSTALLED WITH ITEM 7, ALUMINUM 3003-H14 BASE OR ITEM 1 , GALVANIZED STEEL BASE.

PRODUCT RENEWED
 as complying with the Florida Building Code
 NOA-No. 24-0104.04
 Expiration Date 03/11/2029
 By Ishag I. Chande
 Miami-Dade Product Control

REVISIONS			
REV.	DESCRIPTION	DATE	APPROVE
C	Anchor schedule/details	2/16/2024	GTH

	Roof Curb to Roof Deck Anchors				
	# 14-3 Screws	X MAX.	Metal Roof X'MAX.(# of anchors)	Wood Roof X'MAX.(# of anchors)	Concrete Roof X'MAX.(# of anchors)
FX16B	12	2	11 (4 per side)	9 (5 per side)	12 (4 per side)
FX18B/FX18BH	12	2	14 (4 per side)	9 (5 per side)	12 (4 per side)
FX24B/FX24BH	12	2	10 (5 per side)	8 (6 per side)	12 (4 per side)
FX27B	16	2	11 (5 per side)	8 (7 per side)	11 (4 per side)
FX30B	16	2	11 (5 per side)	8 (7 per side)	11 (4 per side)
FX36B	16	2	9 (7 per side)	7 (9 per side)	12 (5 per side)



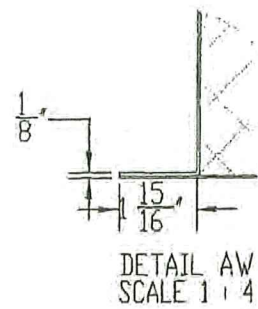
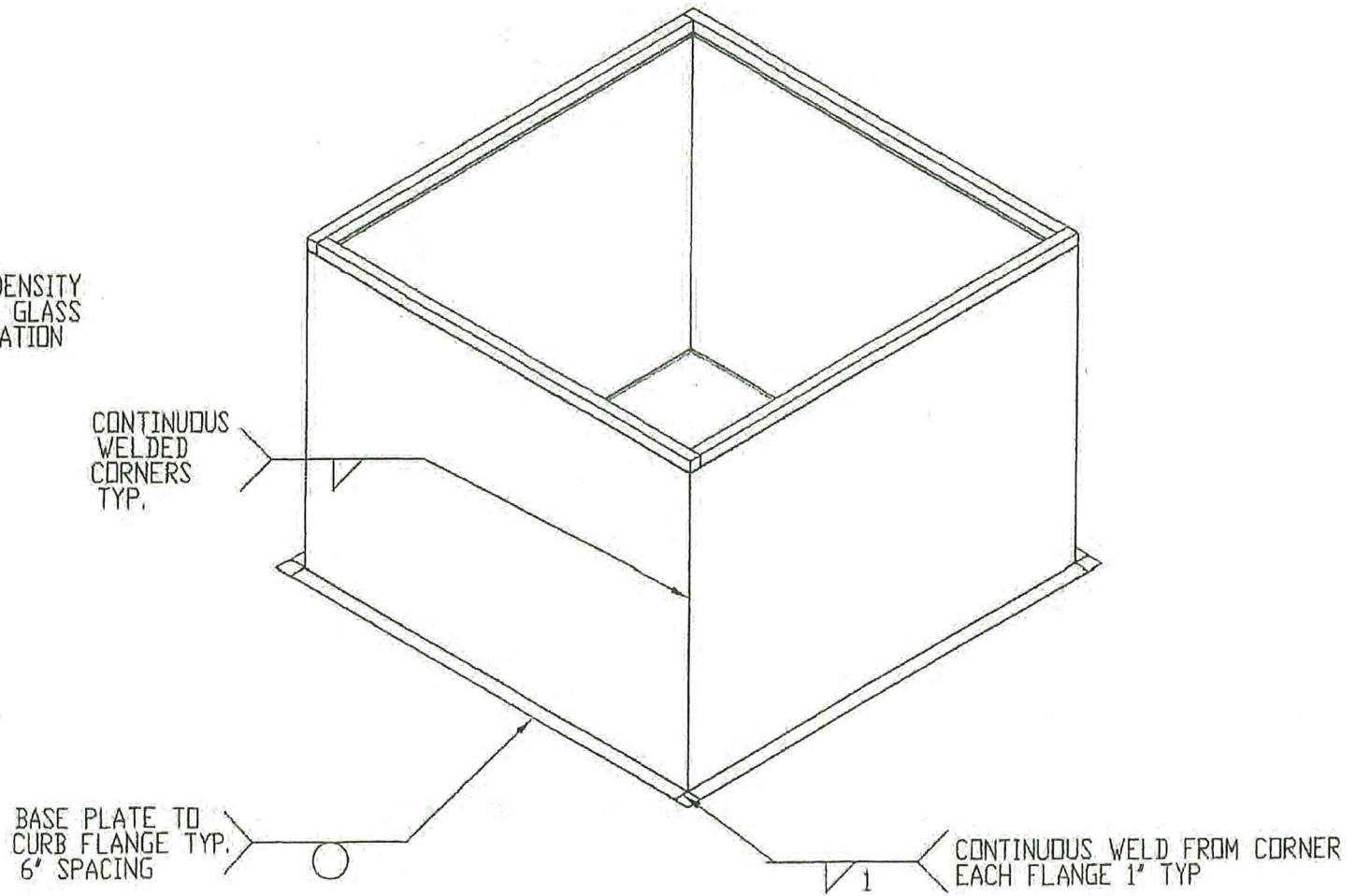
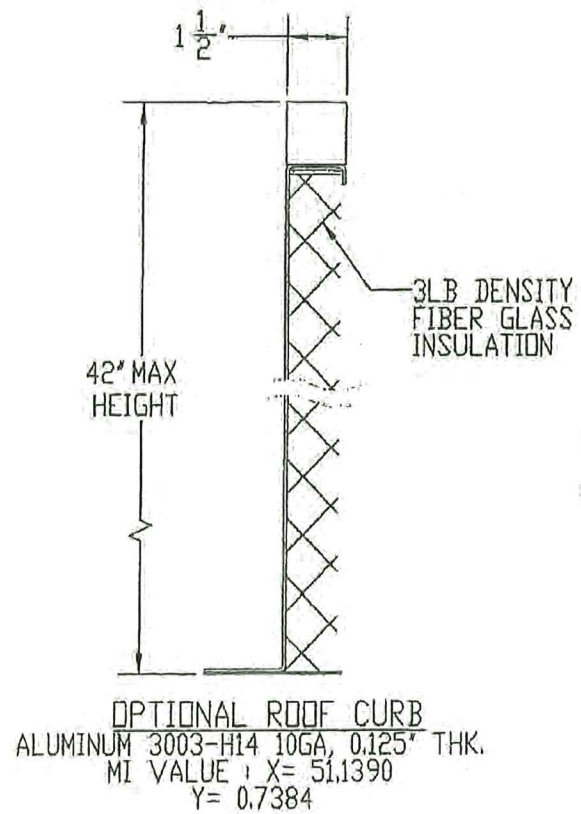
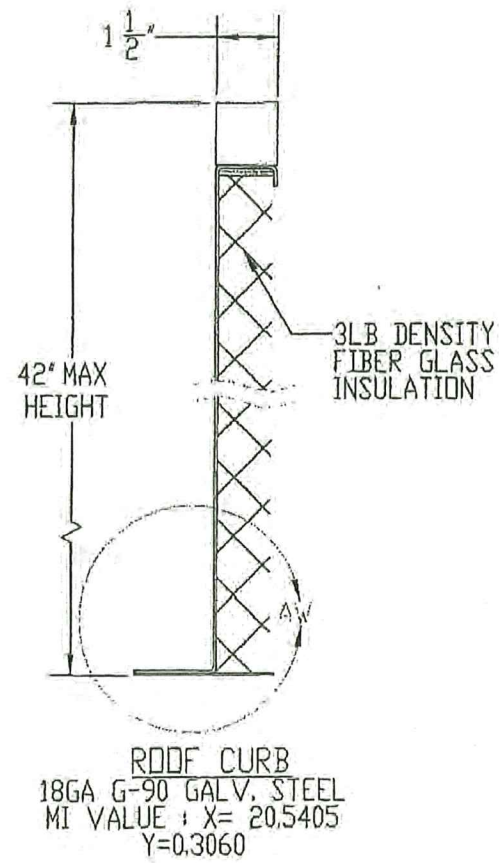
PennBarry 605 Shiloh RD Plano, TX 75074

Downblast Roof Vent
 FUMEX Downblast Roof Vent
 INSTALLATION DETAILS

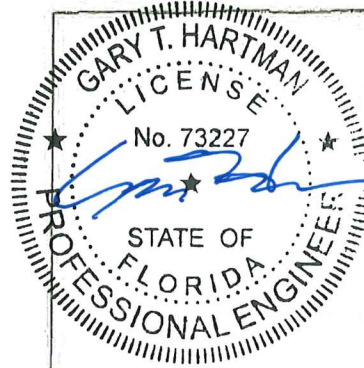
DRAWN	AMIT	DATE	10/10/2017	REV	
SCALE	NTS	DWG NO.	08-00622	SHEET	11 OF 14

FEB 27 2024

REVISIONS			
REV.	DESCRIPTION	DATE	APPROVED
A			

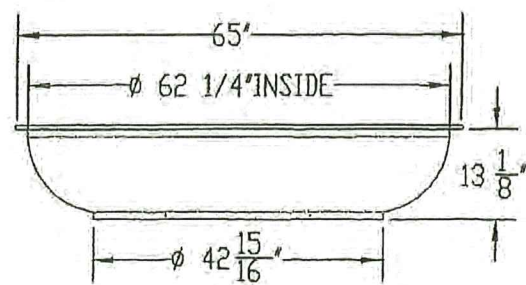


PRODUCT REVISED
as complying with the Florida Building Code
NOA-No. 24-0117.16
Expiration Date 02/27/2028
By Ishag I. Chande
Miami-Dade Product Control

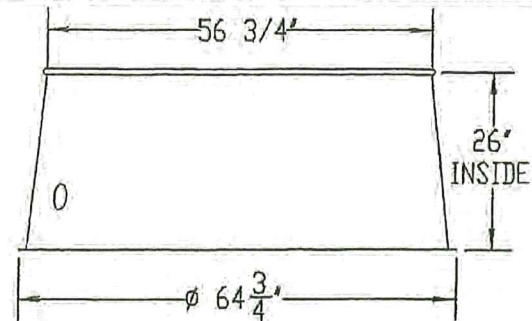


PennBarry 605 Shiloh RD Plano, TX 75074		
Dx DOMEX DOWNBLAST ROOF VENT Fx FUMEX UPBLAST ROOF VENT INSTALLATION DETAILS		
DRAWN AMIT	DWG NO. 08-00622	REV
SCALE NTS	DATE 10/10/2017	SHEET 12 OF 14

FEB 27 2024



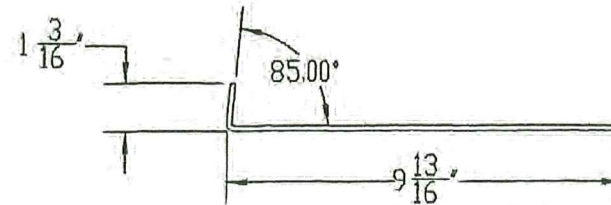
DISCHARGE APRON
0.080" THK. 1100-D ALUM.



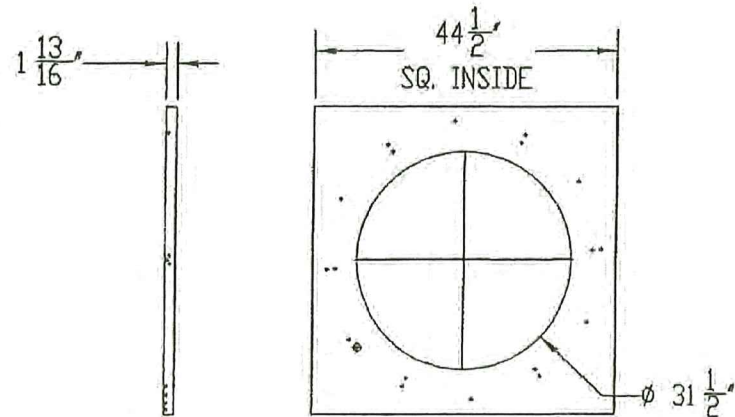
WIND BAND
0.055" THK. 1100-D ALUM.

REVISIONS			
REV.	DESCRIPTION	DATE	APPROVED
A			

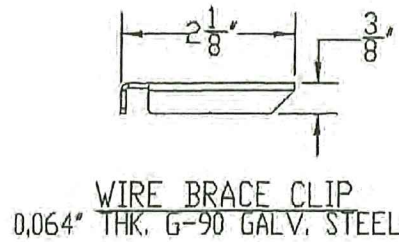
PRODUCT RENEWED
as complying with the Florida
Building Code
NOA-No. 24-0104.04
Expiration Date 03/11/2029
By Ishag I. Chande
Miami-Dade Product Control



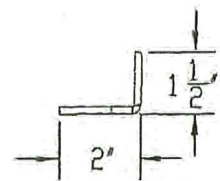
HORIZONTAL BRACE
0.138" THK. G-90 GALV. STEEL



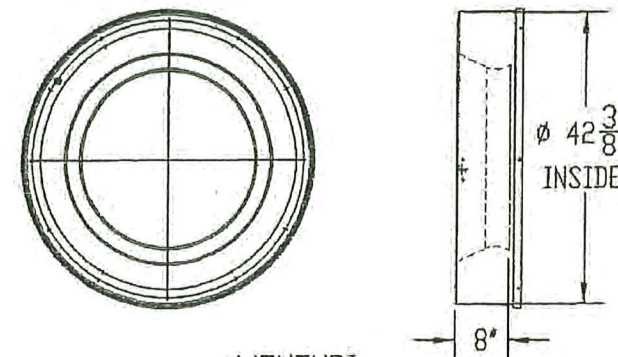
OPTIONAL BASE
0.1084" THK. G-90 GALV. STEEL
MI VALUE : X=984.7883
Y=0.3713



WIRE BRACE CLIP
0.064" THK. G-90 GALV. STEEL

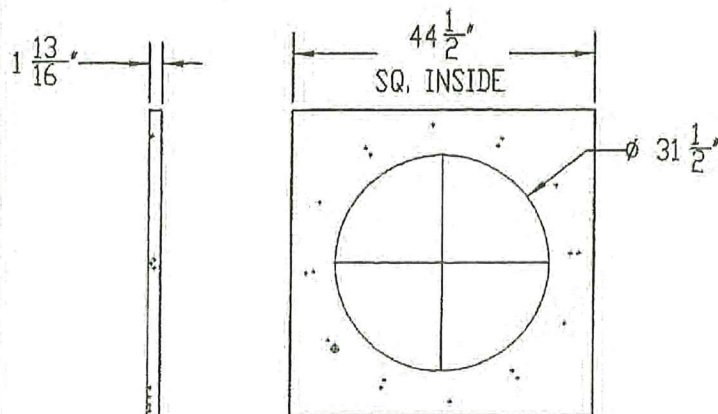


MOTOR SUPPORT ANGLE
0.138" THK. G-90 GALV STEEL

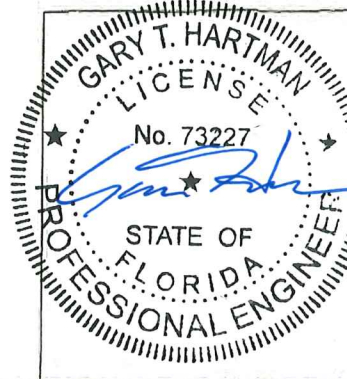


VENTURI
0.064" THK. 1100-D ALUM.

NOTES:
THICKNESSES SHOWN FOR DISCHARGE APRON & VENTURI ARE
PRE-SPUN THICKNESSES.



BASE
0.102" THK. ALUMINUM 3003-H14
MI VALUE : X=927.2038
Y=0.3508

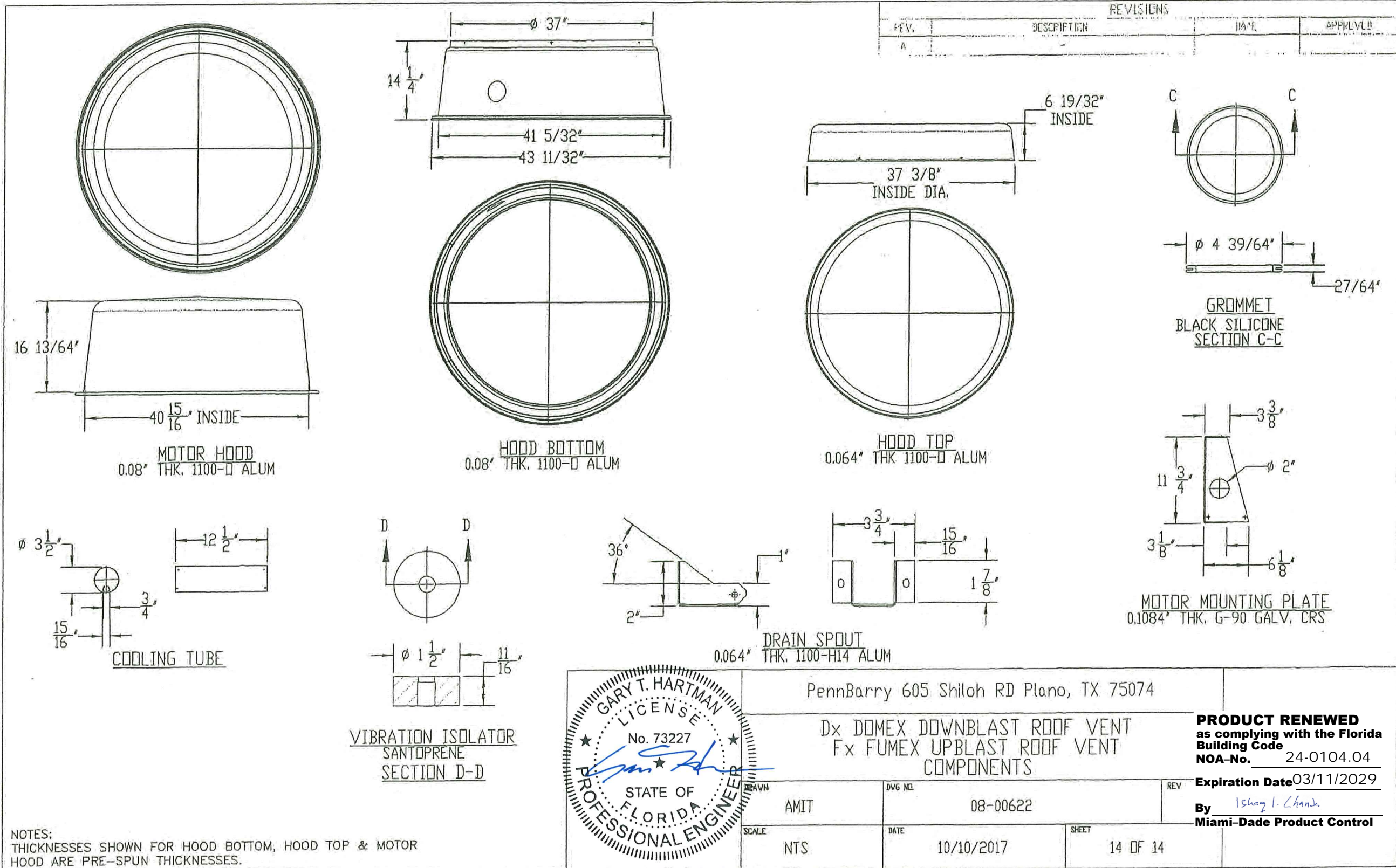


PennBarry 605 Shiloh RD Plano, TX 75074

Dx DOMEX DOWNBLAST ROOF VENT
Fx FUMEX UPBLAST ROOF VENT
COMPONENTS

DRAWN	AMIT	IMG NO.	08-00622	REV
SCALE	NTS	DATE	10/10/2017	SHEET
				13 OF 14

FEB 27 2024



FEB 27 2024