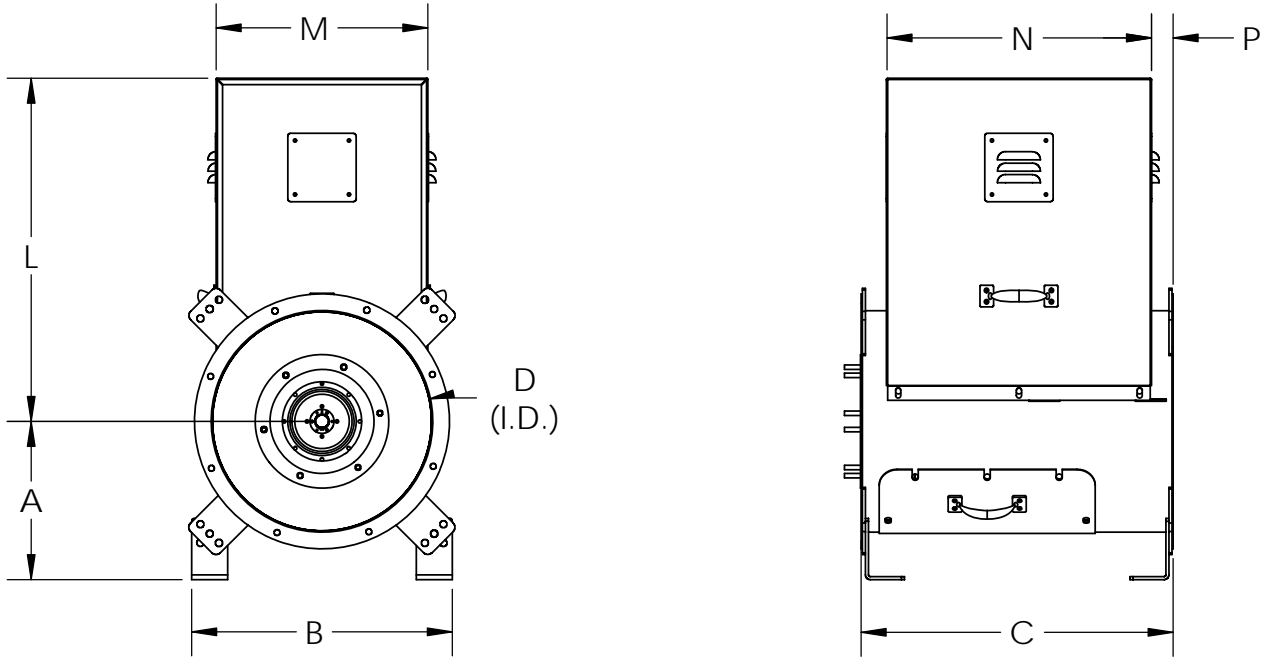


DIMENSIONAL SUBMITTAL - TCI MOTOR COVER (SIZE 90-182)


Size	A	B	C	D	L	M	N	P
90	13.25	21.75	26.00	18.50	28.60	17.70	22.00	1.85
105	13.25	21.75	26.00	18.50	28.60	17.70	22.00	1.85
122	13.25	21.75	26.00	18.50	28.60	17.70	22.00	1.85
135	13.88	23.13	28.00	20.25	31.30	19.00	22.40	1.95
150	14.38	24.50	30.00	22.31	31.30	21.20	25.70	1.60
165	16.13	26.50	30.00	24.69	30.72	18.80	26.20	1.65
182	18.38	30.38	32.00	30.06	32.80	21.42	25.60	2.30

All Dimensions are in Inches
 A= Fan Centerline Height with Feet
 B= Overall Width of Feet
 C= Drum Length
 D= Fan Drum Inside Diameter
 L= Height of Motor Cover
 M= Motor Cover Width
 N= Motor Cover Length
 P= Gap between Motor Cover & Outlet Ring