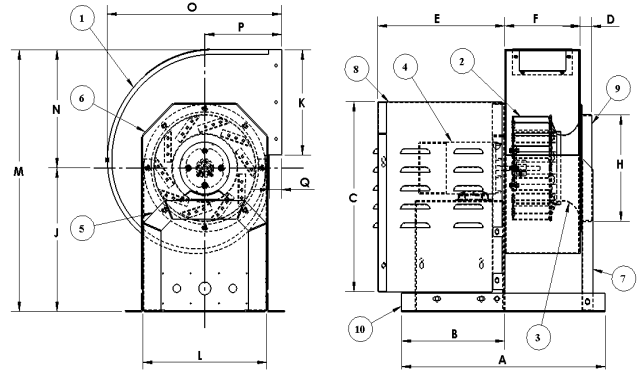


Dynamo Centrifugal Fan (Direct drive)

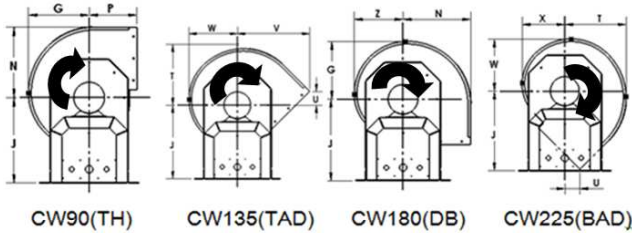
General Purpose Utility Fan

Legend

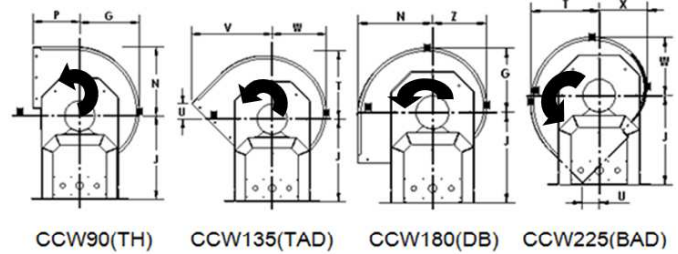
1. Blower Scroll Housing
2. Centrifugal Wheel (Aluminum Non-Overloading)
3. Spun Inlet
4. Motor
5. Motor Mount
6. Drive Frame Support
7. Support Legs With Mounting Holes
8. Motor Enclosure (Optional)
9. Inlet Angle Flange
10. Angle Supports



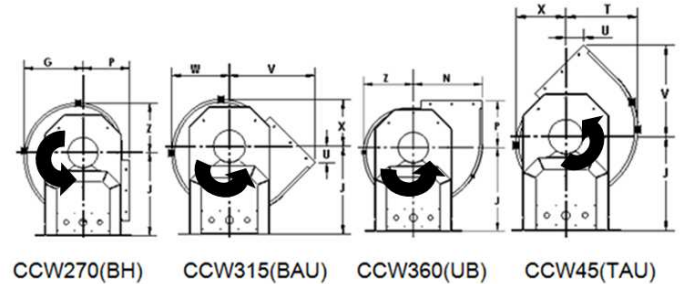
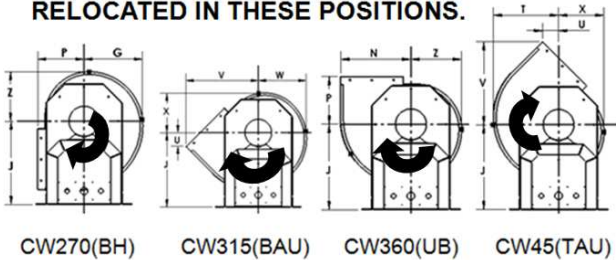
Discharge Positions Clockwise Rotation - CW



Discharge Positions Counterclockwise Rotation - CCW



***ACCESS DOOR (IF REQ'D) MUST BE RELOCATED IN THESE POSITIONS.**



Dimensional Data

Unit Size	Wheel Dia.	Shaft Dia.	A	B	C	D	E	Outlet		Inlet H	J	L	M	N	O	P	Q	Mgt. Hole Dia.	U	V	W	X	T	G	Z
								F	K																
6, 7, 8, 10	11 1/4	3/4	23	11 3/4	20 1/4	1 1/4	14 1/4	8 1/2	11 1/4	11 1/2	15 1/2	14	28 1/4	12 3/4	19 3/4	8 3/4	1 1/2	1/2	3	15 1/4	10 1/4	8 1/4	11 3/4	11	9 1/4
12	12 7/8	3/4	25	11 3/4	23 1/4	1 1/4	14 1/4	10 1/2	12	13 1/4	17	16 1/4	31 1/4	14	21 1/2	9 1/2	1 1/2	1/2	3 3/4	16 1/2	11	9	13	12	10
13	13 5/8	1	25	11 1/2	23 3/4	1 1/4	14 1/4	10 3/4	14 1/2	14 1/4	18	17 1/4	33 3/4	15 3/4	23 3/4	10	1 1/2	1/2	3 3/4	18 1/4	8 3/4	10	14 1/2	13 1/2	11 1/4
15	15 7/8	1	27	12	27 1/4	1 1/4	14 1/4	11 3/4	15 3/4	16	20	19 1/4	37 1/2	17 1/2	26 1/4	11	1 1/2	1/2	4 1/4	20 1/2	13 3/4	11 1/4	16 1/4	15	12 1/2
16	16 3/8	1 3/16	28	12	32	1 1/4	14 1/4	13	17 3/4	18 3/4	22	20 3/4	41 1/4	19 1/4	28 3/4	12	1 1/2	1/2	5	22 1/4	15	12 1/4	17 3/4	16 1/4	13 3/4
18	18 1/2	1 3/8	30	12 1/2	32 1/2	1 1/4	14 1/2	14 1/2	19 1/2	19 1/4	24	22 1/2	45 1/4	21 1/4	32	13	1 3/4	1/2	5 1/4	24 3/4	16 3/4	13 1/2	19 3/4	18 1/4	15 1/4

All dimensions are in inches.

Material: Galvanized Steel



PENNBARRY™

1401 North Plano road, Richardson, TX 75081
 Ph: 972.234.3202 Fax: 972.497.0468
 www.PennBarry.com

Submittal Sheet

Dynamo – Direct drive

Centrifugal, General Purpose Utility Fan

Galvanized Steel Construction

This drawing illustrates our understanding of order requirements. When approved, it represents details for fabrication, as such, PennBarry will not be responsible for revisions in the field or other changes after release for fabrication. Published and protected by PennBarry, Richardson, TX. All rights reserved. May not be reproduced partially or in full without permission from the publisher. No rights conveyed to manufacture partially or in full, use or sell either the method of construction represented or any invention in any way related thereto