

vPlume™

Laboratory Exhaust System

TECHNICAL SPECIFICATIONS



PENNBARRY™

BULLETIN vPlume18

TABLE OF CONTENTS

INTRODUCTION	3
CERTIFICATIONS & LISTINGS	4
DIMENSIONAL DRAWINGS	5-8
090 AIR PERFORMANCE	9
105 AIR PERFORMANCE	10
122 AIR PERFORMANCE	11
135 AIR PERFORMANCE	12
150 AIR PERFORMANCE	13-14
165 AIR PERFORMANCE	15-16
182 AIR PERFORMANCE	17-18
200 AIR PERFORMANCE	19-20
222 AIR PERFORMANCE	21-23
245 AIR PERFORMANCE	24-26
270 AIR PERFORMANCE	27-29
300 AIR PERFORMANCE	30-32
330 AIR PERFORMANCE	33-35
365 AIR PERFORMANCE	36-39
402 AIR PERFORMANCE	40-43
090 SOUND PERFORMANCE	44
105 SOUND PERFORMANCE	45
122 SOUND PERFORMANCE	46
135 SOUND PERFORMANCE	47
150 SOUND PERFORMANCE	48
165 SOUND PERFORMANCE	49
182 SOUND PERFORMANCE	50
200 SOUND PERFORMANCE	51-52
222 SOUND PERFORMANCE	53-54
245 SOUND PERFORMANCE	55-56
270 SOUND PERFORMANCE	57-58
300 SOUND PERFORMANCE	59-60
330 SOUND PERFORMANCE	61-62
365 SOUND PERFORMANCE	63-65
402 SOUND PERFORMANCE	66-67

INTRODUCTION

vPlume™

vPlume™ is a commercial lab exhaust fan that ensures a greater margin of safety by effectively dispersing unwanted exhaust, preventing re-entrainment by other ventilation systems.

- Top efficiency in elementary and high schools
- Widest range of available nozzles in the industry

Benefits of vPlume

The vPlume provides a higher level of safety and health by propelling contaminated effluent higher into the air stream where it becomes diluted before contaminants settle back to building envelope or ground level.

- Licensed to bear the AMCA seal for sound and air performance.
- UL 705 certified
- Supplied with AMCA B Spark Resistant Construction
- Featured in a wide performance range (220-84,000 CFM)
- Configured in single, double, or triple fan (or 1, 2, 3) systems
- Easily maintained via a large access door

PennBarry Advantage

PennBarry vPlume™ is the only velocity stack fan featuring an aluminum non-overloading Airfoil wheel providing higher efficiency and performance.

The vPlume has better air and sound performance than competing brands.



CERTIFICATIONS & LISTINGS



AMCA CERTIFICATION

PennBarry certifies that the vPlume belt drive models shown herein are licensed to bear the AMCA seal. The ratings shown are based on tests and procedures performed in accordance with AMCA publication 211 and AMCA publication 311 and comply with the requirements of the AMCA Certified Ratings Program.



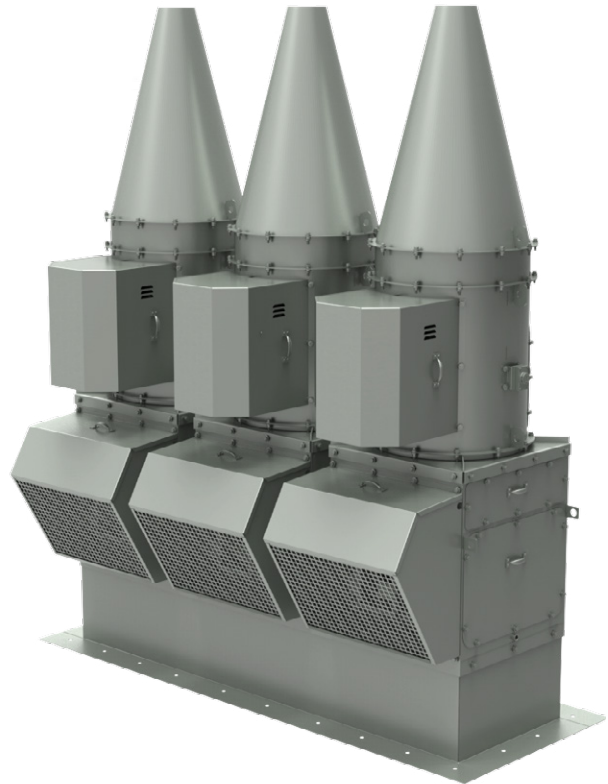
cULus CERTIFICATION

vPlume carries the UL label, UL705, (ZACT / ZACT7), file #E28413.



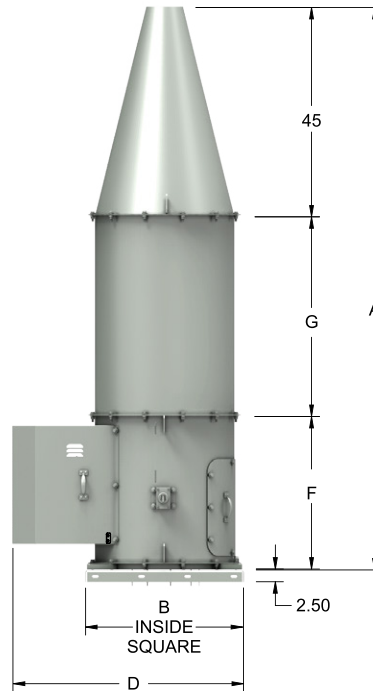
High Velocity Hurricane Zone (HVHZ)

Miami-Dade NOA # 18-1205.04
Florida Product Approval # 29660



DIMENSIONAL DRAWINGS

1x1 No Plenum



DIMENSIONAL & WEIGHT DATA						
MODEL	A	B	D	F	G	WEIGHT* (LBS)
90	122	22	39 ½	27 ¼	49 ¾	341
105	122	22	39 ½	27 ¼	49 ¾	341
122	122	22	39 ½	27 ¼	49 ¾	341
135	122	24	43	29 ¼	47 ¾	393
150	122	26	45	31 ¼	45 ¾	430
165	122	28	45	31 ½	45 ½	472
182	122	34	50 ¼	33 ½	43 ½	573
200	122	36	53	35	42	659
222	122	40	57 ¼	39	38	667
245	122	46	62 ¾	43	34	767
270	122	50	69 ¾	47 ½	29 ½	914
300	122	59	77 ¼	53	24	1059
330	122	60 ¾	77 ¾	59 ½	17 ½	1105
365	122	63 ¾	82	66	11	1372
402	122	70 ¾	90 ¼	73	4	1593

All dimensions are in inches.

A = Overall system height (without curb)

B = Width of Curb

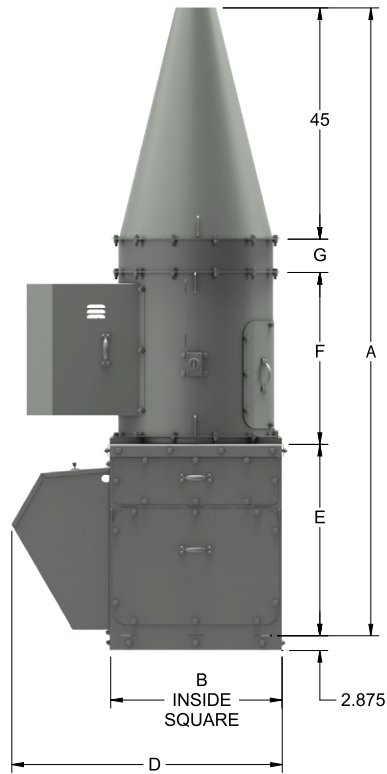
D = Overall width of the system

F = Height of fan

G = Height of stack extension

DIMENSIONAL DRAWINGS

1x1 Plenum



DIMENSIONAL & WEIGHT DATA							
MODEL	A	B	D	E	F	G	WEIGHT*(LBS)
90	122	21 1/2	41	34 1/4	27 1/4	15 1/2	499
105	122	21 1/2	41	34 1/4	27 1/4	15 1/2	499
122	122	21 1/2	41	34 1/4	27 1/4	15 1/2	500
135	122	23 1/2	43	37 1/4	29 1/4	10 1/2	588
150	122	25 1/2	45	38 1/4	31 1/4	7 1/2	660
165	122	27 1/2	47	39	31 1/2	6 1/2	719
182	122	33 1/2	53	37	33 1/2	6 1/2	867
200	123	35 1/2	59	43	35	-	885
222	127	39 1/2	62 1/4	43	39	-	959
245	139	45 1/2	71	51	43	-	1167
270	144	49 1/2	75	51 1/2	47 1/2	-	1368
300	151	58 1/4	85 3/4	53	53	-	1722
330	164	60	89 1/2	59 1/2	59 1/2	-	2018
365	170	63	92 1/2	59	66	-	2307
402	181	70	99 1/2	63	73	-	2711

All dimensions are in inches.

A = Overall system height (without curb)

B = Width of Curb

D = Overall width of the system

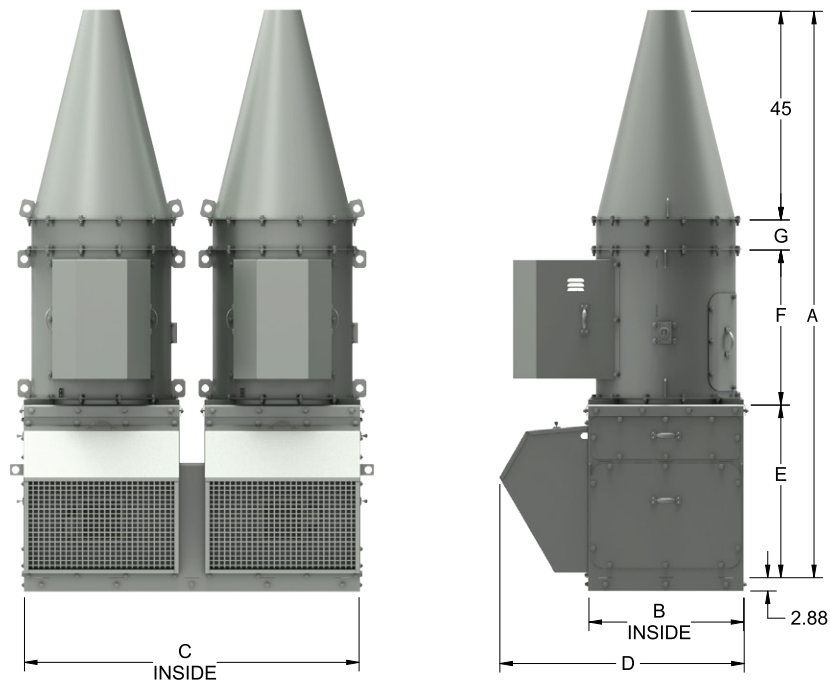
E = Height of plenum

F = Height of fan

G = Height of stack extension

DIMENSIONAL DRAWINGS

With Plenum 2x1



DIMENSIONAL & WEIGHT DATA								
MODEL	A	B	C	D	E	F	G	WEIGHT*(LBS)
90	122	21 1/2	48 1/4	41	34 1/4	27 1/4	15 1/2	942
105	122	21 1/2	48 1/4	41	34 1/4	27 1/4	15 1/2	942
122	122	21 1/2	48 1/4	41	34 1/4	27 1/4	15 1/2	943
135	122	23 1/2	52 1/4	43	37 1/4	29 1/4	10 1/2	1107
150	122	25 1/2	56 1/4	45	38 1/4	31 1/4	7 1/2	1237
165	122	27 1/2	60 1/4	47	39	31 1/2	6 1/2	1348
182	122	33 1/2	72 1/4	53	37	33 1/2	6 1/2	1639
200	123	35 1/2	76 1/4	59	43	35	-	1720
222	127	39 1/2	84 1/4	62 1/4	43	39	-	1860
245	139	45 1/2	96 1/4	71	51	43	-	2248
270	144	49 1/2	104 1/4	75	51 1/2	47 1/2	-	2642
300	151	58 1/4	122	85 3/4	53	53	-	3338
330	164	60	125 3/4	89 1/2	59 1/2	59 1/2	-	3862
365	170	63	131 1/2	92 1/2	59	66	-	4431
402	181	70	145 1/2	99 1/2	63	73	-	5196

All dimensions are in inches.

A = Overall system height (without curb)

B = Width of Curb

C = Length of Curb

D = Overall width of the system

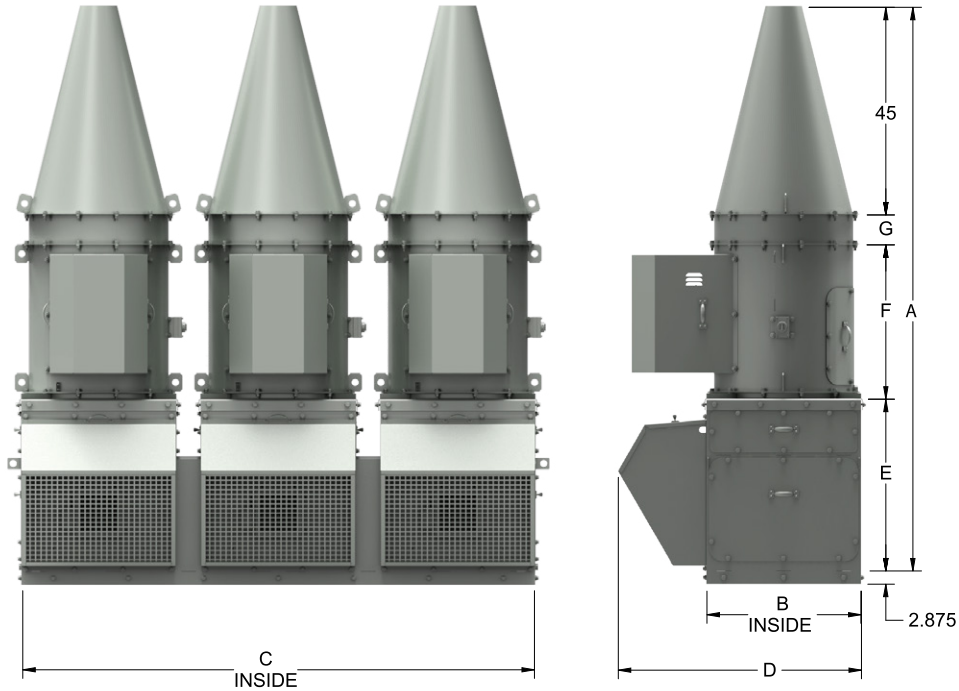
E = Height of plenum

F = Height of fans

G = Height of stack extension

DIMENSIONAL DRAWINGS

With Plenum 3x1



DIMENSIONAL & WEIGHT DATA								
MODEL	A	B	C	D	E	F	G	WEIGHT* (LBS)
90	122	21 1/2	75	41	34 1/4	27 1/4	15 1/2	1400
105	122	21 1/2	75	41	34 1/4	27 1/4	15 1/2	1400
122	122	21 1/2	75	41	34 1/4	27 1/4	15 1/2	1402
135	122	23 1/2	81	43	37 1/4	29 1/4	10 1/2	1645
150	122	25 1/2	87	45	38 1/4	31 1/4	7 1/2	1838
165	122	27 1/2	93	47	39	31 1/2	6 1/2	2002
182	122	33 1/2	119	53	37	33 1/2	6 1/2	2431
200	123	35 1/2	117	59	43	35	-	2433
222	127	39 1/2	129	62 1/4	43	39	-	2701
245	139	45 1/2	147	71	51	43	-	3316
270	144	49 1/2	159	75	51 1/2	47 1/2	-	3889
300	151	58 1/4	185 3/4	85 3/4	53	53	-	4923
330	164	60	191 1/4	89 1/2	59 1/2	59 1/2	-	5564
365	170	63	200 1/4	92 1/2	59	66	-	6538
402	181	70	221	99 1/2	63	73	-	7664

All dimensions are in inches.

A = Overall system height (without curb)

B = Width of Curb

C = Length of Curb

D = Overall width of the system

E = Height of plenum

F = Height of fans

G = Height of stack extension

090 AIR PERFORMANCE

Model	CFM	OV	0.5"SP		1"SP		2"SP		2.5"SP		3"SP		3.5"SP		4"SP		4.5"SP		5"SP		
			RPM	BHP	RPM	BHP	RPM	BHP	RPM	BHP	RPM	BHP	RPM	BHP	RPM	BHP	RPM	BHP	RPM	BHP	RPM
090-4	220	2521	1755	0.121	2197	0.197	2556	0.268	2874	0.341	3148	0.412	3403	0.488	3645	0.568	3858	0.647	4062	0.731	
	270	3094	1943	0.175	2345	0.270	2690	0.362	2996	0.452	3273	0.541	3516	0.626	3749	0.715	3972	0.808	4177	0.901	
	310	3552	2105	0.229	2478	0.339	2809	0.448	3104	0.553	3369	0.655	3612	0.755	3846	0.858	4062	0.960			
	360	4125	2321	0.314	2660	0.442	2968	0.570	3248	0.695	3504	0.817	3747	0.939	3974	1.059	4183	1.176			
	410	4698	2549	0.422	2858	0.566	3145	0.713	3407	0.856	3652	0.998	3883	1.138	4105	1.279					
	460	5271	2786	0.555	3069	0.716	3334	0.880	3581	1.043	3814	1.204	4038	1.366							
	510	5844	3028	0.716	3288	0.893	3532	1.072	3768	1.256	3993	1.439									
	560	6417	3273	0.909	3513	1.101	3742	1.298	3963	1.498	4174	1.698									
	600	6875	3473	1.088	3703	1.296	3916	1.502	4128	1.717											
	650	7448	3727	1.346	3937	1.566	4139	1.791													
700	8021	3981	1.643	4179	1.881																
090-5	340	2494	1786	0.150	2189	0.264	2548	0.385	2865	0.504	3156	0.622	3420	0.737	3666	0.850	3896	0.963	4109	1.073	
	410	3007	1990	0.207	2344	0.335	2668	0.475	2972	0.623	3246	0.767	3504	0.912	3739	1.051	3972	1.195	4185	1.332	
	470	3447	2178	0.269	2497	0.409	2794	0.563	3077	0.728	3337	0.893	3586	1.061	3822	1.229	4041	1.392			
	530	3887	2377	0.349	2664	0.497	2939	0.664	3201	0.842	3448	1.027	3682	1.213	3909	1.403	4118	1.588			
	590	4327	2583	0.445	2843	0.603	3096	0.779	3337	0.969	3573	1.171	3792	1.372	4006	1.580					
	660	4840	2827	0.581	3065	0.751	3294	0.939	3520	1.145	3733	1.357	3940	1.577	4147	1.809					
	720	5280	3044	0.723	3264	0.904	3478	1.103	3686	1.316	3884	1.537	4084	1.775							
	780	5720	3261	0.887	3465	1.078	3662	1.284	3856	1.506	4047	1.742									
	840	6160	3481	1.076	3669	1.276	3858	1.496	4039	1.727											
	900	6600	3700	1.290	3883	1.508	4058	1.736													
970	7114	3961	1.580	4130	1.809																
090-6	490	2496	1972	0.194	2296	0.316	2600	0.462	2888	0.623	3159	0.792	3416	0.967	3659	1.142	3887	1.316	4104	1.488	
	550	2801	2134	0.244	2430	0.372	2710	0.522	2975	0.690	3233	0.874	3476	1.064	3705	1.254	3932	1.455	4143	1.650	
	620	3158	2330	0.314	2600	0.450	2854	0.606	3102	0.784	3336	0.974	3565	1.177	3782	1.386	3997	1.605			
	690	3514	2532	0.400	2780	0.544	3014	0.707	3240	0.889	3460	1.089	3671	1.299	3877	1.521	4079	1.753			
	750	3820	2710	0.488	2940	0.639	3161	0.809	3374	0.998	3578	1.199	3779	1.419	3975	1.649	4164	1.888			
	820	4176	2920	0.608	3135	0.769	3339	0.946	3538	1.141	3729	1.350	3916	1.573	4102	1.814					
	890	4533	3132	0.747	3333	0.918	3525	1.104	3710	1.305	3892	1.523	4065	1.750							
	950	4838	3318	0.886	3508	1.066	3689	1.259	3864	1.466	4036	1.688									
	1020	5195	3533	1.067	3711	1.256	3882	1.458	4051	1.678											
	1090	5551	3751	1.274	3921	1.477	4082	1.687													
1150	5857	3938	1.472	4102	1.686																
090-7	670	2507	2292	0.290	2559	0.418	2810	0.568	3047	0.736	3274	0.921	3498	1.125	3710	1.336	3916	1.556	4123	1.791	
	730	2731	2450	0.352	2700	0.486	2935	0.640	3156	0.810	3371	0.999	3580	1.204	3783	1.423	3984	1.657	4174	1.893	
	790	2956	2607	0.421	2847	0.565	3065	0.722	3277	0.898	3480	1.090	3676	1.298	3869	1.521	4059	1.758			
	860	3218	2797	0.517	3019	0.669	3226	0.834	3425	1.015	3617	1.212	3800	1.421	3985	1.651	4159	1.886			
	920	3442	2960	0.610	3171	0.770	3370	0.943	3560	1.130	3739	1.327	3917	1.543	4091	1.775					
	980	3667	3124	0.715	3326	0.884	3516	1.064	3696	1.256	3870	1.461	4037	1.677							
	1040	3891	3290	0.832	3485	1.012	3666	1.199	3837	1.394	4006	1.607	4166	1.829							
	1100	4116	3457	0.962	3642	1.150	3817	1.346	3981	1.549	4142	1.765									
	1160	4340	3624	1.105	3802	1.303	3969	1.506	4131	1.721											
	1220	4565	3791	1.263	3964	1.472	4127	1.687													
1280	4789	3960	1.436	4127	1.656																
090-8	870	2492	2690	0.450	2927	0.600	3141	0.760	3342	0.933	3532	1.119	3719	1.322	3902	1.542	4080	1.776			
	920	2636	2817	0.514	3044	0.671	3251	0.837	3445	1.015	3630	1.205	3809	1.410	3986	1.632	4157	1.867			
	970	2779	2943	0.583	3164	0.750	3363	0.920	3550	1.102	3729	1.296	3904	1.507	4072	1.728					
	1020	2922	3072	0.661	3284	0.834	3479	1.013	3660	1.200	3834	1.399	3998	1.607	4161	1.831					
	1070	3065	3200	0.744	3406	0.925	3594	1.111	3772	1.306	3937	1.505	4102	1.724							
	1120	3209	3328	0.834	3530	1.026	3711	1.217	3883	1.417	4046	1.625									
	1170	3352	3459	0.934	3655	1.134	3832	1.333	3997	1.537	4156	1.751									
	1220	3495	3589	1.040	3780	1.250	3952	1.457	4114	1.669											
	1270	3638	3721	1.156	3903	1.371	4073	1.588													
	1320	3782	3851	1.278	4031	1.504	4195	1.729													
1370	3925	3983	1.411	4159	1.648																
090-9	1110	2513	3196	0.725	3412	0.915	3604	1.106	3779	1.298	3949	1.503	4109	1.715							
	1150	2603	3296	0.792	3506	0.990	3694	1.186	3869	1.386	4030	1.590	4187	1.805							
	1180	2671	3370	0.845	3577	1.047	3762	1.248	3935	1.454	4094	1.661									
	1210	2739	3444	0.899	3650	1.109	3831	1.314	4000	1.522	4160	1.738									
	1240	2807	3518	0.956	3721	1.173	3900	1.382	4067	1.596											
	1270	2875	3593	1.017	3792	1.238	3970	1.454	4133	1.670											
	1310	2965	3691	1.099	3890	1.331	4062	1.551													
	1340	3033	3768	1.167	3962	1.403	4134	1.631													
	1370	3101	3842	1.235	4034	1.477															
	1400	3169	3916	1.305	4105	1.553															
1430	3237	3992	1.380	4178	1.634																

Performance certified is for installation Type A: Free inlet, Free outlet. Power rating (BHP) does not include transmission losses. Performance ratings do not include the effects of appurtenances (accessories).

105 AIR PERFORMANCE

Model	CFM	OV	0.5"SP		1"SP		1.5"SP		2"SP		2.5"SP		3"SP		3.5"SP		4"SP		4.5"SP		5"SP	
			RPM	BHP	RPM	BHP	RPM	BHP	RPM	BHP	RPM	BHP	RPM	BHP	RPM	BHP	RPM	BHP	RPM	BHP	RPM	BHP
105-5	350	2567	1687	0.13	2087	0.22	2440	0.33	2750	0.45	3034	0.58	3292	0.73	3529	0.88	3755	1.04	3968	1.21	4170	1.38
	420	3080	1862	0.18	2217	0.28	2540	0.40	2838	0.53	3108	0.67	3363	0.82	3596	0.98	3814	1.14	4023	1.32		
	500	3667	2084	0.25	2396	0.37	2687	0.49	2960	0.63	3213	0.78	3457	0.94	3681	1.11	3900	1.29	4098	1.47		
	570	4180	2290	0.34	2570	0.46	2838	0.60	3087	0.74	3327	0.90	3555	1.07	3773	1.25	3980	1.43	4182	1.63		
	640	4694	2504	0.44	2758	0.58	3002	0.72	3237	0.88	3457	1.05	3675	1.23	3882	1.41	4076	1.60				
	720	5280	2755	0.59	2984	0.74	3205	0.90	3419	1.06	3628	1.24	3825	1.43	4019	1.62						
	790	5794	2980	0.75	3192	0.91	3394	1.08	3593	1.25	3790	1.44	3976	1.64	4161	1.84						
	860	6307	3206	0.93	3403	1.11	3592	1.28	3780	1.48	3958	1.67	4135	1.88								
	940	6894	3468	1.18	3650	1.37	3827	1.56	3998	1.76	4167	1.97										
	1010	7407	3700	1.44	3869	1.63	4034	1.84	4198	2.05												
1080	7921	3936	1.73	4092	1.94																	
500	2546	1793	0.16	2127	0.27	2435	0.38	2726	0.51	2994	0.65	3248	0.80	3485	0.96	3714	1.14	3922	1.31	4130	1.50	
590	3005	1998	0.23	2291	0.34	2567	0.46	2830	0.60	3080	0.75	3315	0.91	3543	1.08	3757	1.25	3962	1.44	4161	1.63	
670	3412	2189	0.30	2454	0.42	2707	0.55	2948	0.70	3178	0.86	3401	1.02	3615	1.20	3821	1.38	4017	1.57			
750	3820	2387	0.38	2630	0.52	2862	0.66	3084	0.82	3297	0.98	3502	1.15	3704	1.33	3896	1.52	4088	1.73			
840	4278	2616	0.50	2837	0.65	3048	0.80	3253	0.97	3450	1.14	3639	1.32	3829	1.52	4011	1.72	4188	1.92			
920	4686	2824	0.63	3029	0.79	3224	0.95	3415	1.13	3599	1.31	3779	1.50	3953	1.70	4126	1.91					
1000	5093	3034	0.78	3225	0.95	3408	1.13	3585	1.31	3758	1.50	3927	1.70	4092	1.91							
1090	5551	3274	0.98	3451	1.16	3620	1.35	3788	1.55	3948	1.75	4108	1.96									
1170	5959	3489	1.19	3655	1.38	3817	1.58	3971	1.78	4124	1.99											
1250	6366	3704	1.42	3862	1.62	4012	1.83	4162	2.05													
1340	6825	3948	1.71	4095	1.93																	
670	2507	1998	0.22	2279	0.34	2541	0.46	2788	0.60	3024	0.75	3251	0.91	3472	1.08	3681	1.26	3884	1.44	4081	1.64	
760	2844	2190	0.29	2447	0.42	2686	0.55	2914	0.70	3131	0.85	3341	1.02	3545	1.19	3744	1.38	3938	1.57	4121	1.77	
840	3143	2365	0.36	2605	0.50	2828	0.64	3037	0.80	3241	0.96	3440	1.13	3631	1.31	3816	1.50	4002	1.71	4178	1.91	
930	3480	2567	0.46	2789	0.61	2997	0.76	3192	0.93	3383	1.10	3565	1.28	3747	1.47	3920	1.67	4092	1.87			
1010	3779	2750	0.56	2959	0.72	3153	0.88	3339	1.06	3516	1.24	3690	1.43	3862	1.63	4027	1.83	4190	2.04			
1100	4116	2957	0.70	3153	0.87	3337	1.04	3509	1.22	3680	1.42	3842	1.61	4002	1.82	4157	2.03					
1180	4415	3144	0.83	3330	1.01	3504	1.20	3670	1.39	3829	1.59	3982	1.80	4135	2.01							
1260	4715	3331	0.99	3506	1.18	3674	1.38	3831	1.58	3983	1.79	4133	2.00									
1350	5051	3543	1.19	3710	1.39	3866	1.60	4017	1.81	4165	2.03											
1430	5351	3734	1.38	3894	1.60	4043	1.82	4187	2.04													
1520	5687	3949	1.63	4099	1.86																	
1600	5987	4139	1.88																			
880	2521	2314	0.33	2560	0.47	2782	0.61	2992	0.76	3193	0.92	3386	1.09	3576	1.28	3762	1.47	3938	1.66	4114	1.86	
960	2750	2477	0.40	2711	0.55	2921	0.70	3120	0.86	3309	1.03	3492	1.21	3670	1.40	3845	1.59	4014	1.79	4180	2.00	
1050	3008	2664	0.50	2885	0.65	3083	0.82	3270	0.99	3449	1.17	3622	1.35	3790	1.55	3953	1.75	4116	1.96			
1130	3237	2833	0.59	3041	0.76	3232	0.93	3411	1.11	3583	1.30	3747	1.50	3908	1.70	4062	1.90					
1210	3466	3003	0.70	3203	0.88	3385	1.06	3555	1.25	3719	1.45	3878	1.65	4029	1.86	4178	2.07					
1290	3696	3173	0.82	3364	1.01	3540	1.21	3705	1.40	3863	1.61	4012	1.82	4160	2.04							
1380	3953	3367	0.98	3550	1.18	3719	1.39	3876	1.60	4026	1.81	4171	2.03									
1460	4183	3541	1.14	3715	1.35	3877	1.56	4030	1.78	4176	2.01											
1540	4412	3714	1.31	3884	1.53	4039	1.76	4188	1.99													
1620	4641	3889	1.50	4054	1.73																	
1710	4899	4086	1.73																			
1110	2513	2679	0.49	2906	0.65	3105	0.82	3291	0.99	3467	1.18	3638	1.37	3801	1.56	3959	1.76	4117	1.98			
1200	2716	2858	0.59	3074	0.77	3265	0.94	3444	1.13	3612	1.32	3774	1.52	3930	1.72	4083	1.94					
1280	2897	3018	0.69	3226	0.88	3412	1.07	3583	1.26	3745	1.46	3900	1.67	4050	1.88	4198	2.10					
1370	3101	3199	0.82	3400	1.02	3577	1.22	3742	1.42	3900	1.63	4048	1.85	4192	2.07							
1460	3305	3381	0.96	3574	1.17	3747	1.39	3907	1.60	4057	1.82											
1550	3508	3564	1.12	3751	1.35	3918	1.57	4073	1.80													
1630	3690	3730	1.28	3909	1.52	4071	1.75															
1720	3893	3914	1.48	4087	1.73																	
1810	4097	4099	1.69																			
1370	2512	3106	0.74	3319	0.94	3505	1.13	3676	1.34	3835	1.54	3989	1.76									
1430	2622	3223	0.82	3431	1.03	3613	1.23	3781	1.45	3937	1.66											
1480	2714	3320	0.89	3525	1.11	3703	1.32	3867	1.54	4022	1.76											
1540	2824	3436	0.99	3637	1.21	3813	1.43	3974	1.66													
1600	2934	3555	1.09	3749	1.32	3922	1.55															
1660	3044	3672	1.20	3864	1.44	4034	1.68															
1720	3154	3789	1.31	3977	1.56																	
1780	3264	3907	1.44																			
1840	3374	4026	1.57																			

Performance certified is for installation Type A: Free inlet, Free outlet. Power rating (BHP) does not include transmission losses. Performance ratings do not include the effects of appurtenances (accessories).

122 AIR PERFORMANCE

Model	CFM	OV	0.5"SP		1"SP		1.5"SP		2"SP		2.5"SP		3"SP		3.5"SP		4"SP		4.5"SP		5"SP	
			RPM	BHP	RPM	BHP	RPM	BHP	RPM	BHP	RPM	BHP	RPM	BHP	RPM	BHP	RPM	BHP	RPM	BHP	RPM	BHP
122-6	500	2546	1459	0.19	1821	0.33	2124	0.49	2387	0.66	2616	0.85	2826	1.04	3021	1.25	3202	1.46	3371	1.68	3528	1.91
	600	3056	1602	0.25	1931	0.41	2219	0.59	2473	0.78	2701	0.98	2910	1.19	3105	1.42	3284	1.65	3449	1.88		
	710	3616	1776	0.35	2067	0.53	2335	0.72	2580	0.93	2801	1.15	3009	1.39	3196	1.62	3375	1.87	3542	2.13		
	820	4176	1962	0.48	2221	0.67	2467	0.88	2697	1.11	2910	1.35	3110	1.60	3298	1.87	3470	2.13				
	930	4736	2158	0.65	2391	0.86	2616	1.08	2829	1.33	3032	1.59	3221	1.85	3402	2.13	3576	2.42				
	1030	5246	2341	0.83	2553	1.06	2759	1.30	2959	1.56	3150	1.83	3331	2.11	3505	2.41						
	1140	5806	2548	1.08	2740	1.32	2931	1.58	3114	1.85	3293	2.14	3464	2.44								
	1250	6366	2757	1.37	2934	1.63	3107	1.90	3279	2.19	3445	2.50										
	1360	6926	2970	1.71	3132	1.99	3295	2.28	3453	2.59												
	1460	7436	3165	2.08	3317	2.37	3468	2.68														
122-7	670	2507	1492	0.22	1815	0.37	2109	0.54	2378	0.74	2615	0.94	2835	1.16	3037	1.39	3221	1.62	3399	1.87	3562	2.12
	790	2956	1650	0.30	1929	0.46	2198	0.65	2448	0.85	2680	1.08	2893	1.31	3095	1.56	3281	1.81	3458	2.08		
	920	3442	1833	0.41	2077	0.58	2315	0.78	2542	1.00	2760	1.24	2967	1.49	3164	1.76	3347	2.03	3521	2.32		
	1040	3891	2012	0.54	2230	0.73	2443	0.94	2651	1.17	2852	1.42	3046	1.68	3234	1.97	3414	2.26	3584	2.56		
	1160	4340	2195	0.70	2391	0.90	2586	1.13	2776	1.37	2961	1.63	3143	1.91	3319	2.20	3490	2.50				
	1280	4789	2381	0.89	2562	1.11	2739	1.35	2912	1.60	3085	1.88	3253	2.17	3417	2.47	3579	2.78				
	1400	5238	2573	1.12	2738	1.36	2900	1.61	3061	1.88	3220	2.16	3377	2.46	3531	2.78						
	1520	5687	2764	1.39	2920	1.64	3069	1.91	3217	2.19	3365	2.49	3511	2.80								
	1650	6174	2976	1.73	3119	2.00	3258	2.29	3395	2.58	3533	2.90										
	1770	6623	3172	2.09	3306	2.38	3435	2.68	3565	2.99												
122-8	900	2578	1654	0.30	1909	0.46	2155	0.64	2393	0.85	2620	1.07	2836	1.32	3038	1.57	3229	1.84	3409	2.11	3581	2.40
	1030	2951	1821	0.40	2048	0.57	2267	0.76	2481	0.98	2689	1.21	2892	1.47	3085	1.73	3271	2.01	3449	2.31		
	1150	3295	1982	0.51	2189	0.69	2387	0.90	2581	1.12	2772	1.36	2959	1.62	3141	1.90	3319	2.19	3492	2.50		
	1270	3638	2145	0.64	2335	0.84	2518	1.06	2697	1.29	2871	1.54	3045	1.81	3215	2.09	3383	2.39	3545	2.71		
	1390	3982	2311	0.79	2488	1.01	2658	1.24	2822	1.48	2984	1.74	3145	2.02	3302	2.31	3458	2.62				
	1520	4354	2495	1.00	2659	1.23	2817	1.47	2969	1.73	3118	2.00	3267	2.29	3413	2.59	3558	2.90				
	1640	4698	2666	1.21	2820	1.46	2968	1.72	3110	1.99	3252	2.27	3389	2.57	3528	2.88						
	1760	5042	2839	1.46	2984	1.72	3124	2.00	3258	2.28	3390	2.58	3521	2.89								
	1890	5414	3026	1.76	3163	2.04	3295	2.33	3422	2.63	3546	2.94										
	2010	5758	3201	2.08	3332	2.38	3457	2.69	3577	3.00												
122-9	1110	2513	1820	0.39	2041	0.56	2249	0.75	2451	0.96	2650	1.19	2845	1.44	3034	1.71	3217	1.99	3395	2.29	3562	2.59
	1240	2807	1981	0.49	2185	0.68	2375	0.89	2559	1.11	2740	1.34	2919	1.60	3094	1.88	3266	2.16	3432	2.46	3597	2.78
	1370	3101	2145	0.62	2336	0.83	2511	1.04	2681	1.27	2847	1.52	3011	1.79	3173	2.07	3331	2.36	3489	2.67	3643	2.99
	1510	3418	2325	0.78	2502	1.01	2666	1.24	2824	1.49	2976	1.74	3126	2.02	3276	2.30	3423	2.61	3569	2.93	3712	3.25
	1640	3712	2494	0.96	2661	1.20	2816	1.45	2963	1.71	3107	1.98	3246	2.26	3385	2.56	3523	2.87	3658	3.19	3793	3.53
	1770	4006	2663	1.17	2822	1.42	2969	1.69	3108	1.96	3244	2.25	3376	2.54	3505	2.85	3633	3.17	3761	3.50		
	1900	4301	2836	1.40	2986	1.68	3125	1.96	3259	2.25	3387	2.55	3511	2.85	3635	3.17	3756	3.50				
	2040	4618	3022	1.69	3164	1.98	3298	2.29	3423	2.59	3545	2.90	3664	3.23	3778	3.56						
	2170	4912	3196	1.99	3332	2.30	3459	2.62	3580	2.95	3697	3.28										
	2300	5206	3371	2.33	3500	2.66	3623	3.00	3739	3.34												
122-10	2440	5523	3558	2.74	3683	3.09																
	1380	2530	2071	0.55	2270	0.75	2449	0.96	2620	1.19	2786	1.43	2951	1.69	3114	1.96	3271	2.25	3431	2.56	3586	2.87
	1540	2824	2263	0.71	2449	0.93	2616	1.16	2773	1.40	2926	1.65	3075	1.92	3223	2.21	3369	2.50	3515	2.82	3659	3.14
	1700	3117	2458	0.90	2633	1.14	2791	1.39	2939	1.65	3080	1.92	3219	2.20	3355	2.50	3487	2.80	3621	3.12	3751	3.45
	1860	3410	2654	1.12	2820	1.39	2970	1.66	3110	1.94	3242	2.22	3372	2.52	3498	2.82	3623	3.14	3746	3.47	3868	3.81
	2020	3704	2852	1.38	3011	1.68	3154	1.97	3285	2.26	3412	2.57	3534	2.88	3652	3.20	3769	3.53	3884	3.87	3998	4.22
	2180	3997	3052	1.69	3203	2.00	3339	2.32	3465	2.63	3587	2.96	3703	3.29	3814	3.62	3926	3.97	4033	4.32	4142	4.69
	2340	4290	3253	2.03	3396	2.37	3527	2.71	3650	3.05	3765	3.39	3876	3.74	3983	4.10	4088	4.46	4191	4.83		
	2500	4584	3455	2.43	3592	2.79	3718	3.15	3836	3.52	3948	3.88	4054	4.25	4157	4.62						
	2660	4877	3658	2.87	3789	3.26	3910	3.64	4024	4.03	4132	4.42										
122-11	2840	5207	3887	3.44	4013	3.85	4129	4.27														
	3000	5500	4091	4.00																		
	1660	2515	2335	0.76	2524	1.00	2689	1.24	2843	1.49	2988	1.75	3130	2.03	3270	2.31	3407	2.61	3543	2.92	3678	3.24
	1840	2788	2544	0.97	2724	1.24	2881	1.50	3025	1.77	3163	2.06	3294	2.34	3421	2.64	3549	2.95	3672	3.27	3798	3.61
	2000	3031	2732	1.19	2904	1.48	3055	1.77	3193	2.06	3324	2.36	3448	2.67	3569	2.98	3688	3.30	3804	3.64	3921	3.98
	2160	3273	2922	1.45	3086	1.76	3232	2.08	3366	2.39	3490	2.71	3610	3.03	3724	3.36	3836	3.70	3948	4.05	4055	4.40
	2340	3546	3136	1.78	3294	2.13	3434	2.47	3561	2.80	3681	3.14	3796	3.49	3905	3.84	4012	4.19	4116	4.56		
	2500	3788	3327	2.12	3479	2.49	3614	2.85	3740	3.22	3854	3.58	3965	3.94	4072	4.31	4174	4.69				
	2660	4031	3519	2.50	3665	2.89	3798	3.29	3917	3.67	4030	4.05	4137	4.44								
	2820	4273	3713	2.92	3854	3.35	3981	3.76	4098	4.17												
122-12	3000	4546	3931	3.46	4066	3.91	4189	4.35														
	3160	4788	4126	3.99																		
	1920	2445	2576	0.99	2762	1.27	2922	1.55	3067	1.83	3201	2.11	3331	2.41	3456	2.71	3580	3.03	3701	3.35	3820	3.68
	2060	2623	2734	1.17	2915	1.48	3070	1.78	3210	2.08	3340	2.38	3466	2.69	3585	3.01	3702	3.33	3815	3.66	3929	4.00
	2200	2801	2894	1.38	3068	1.71	3220	2.03	3356	2.35	3482	2.67	3602	2.99	3718	3.33	3831	3.67	3941	4.01	4048	4.36
	2340	2979	3054	1.62	3223	1.97	3371	2.31	3503	2.65	3628	2.99	3743	3.33	3855	3.67	3963	4.03	4068	4.39	4171	4.75
	2480	3158	3216	1.88	3379	2.25	3524	2.62	3													

135 AIR PERFORMANCE

Model	CFM	OV	0.5" SP		1" SP		1.5" SP		2" SP		2.5" SP		3" SP		3.5" SP		4" SP		4.5" SP		5" SP		
			RPM	BHP	RPM	BHP	RPM	BHP	RPM	BHP	RPM	BHP	RPM	BHP	RPM	BHP	RPM	BHP	RPM	BHP	RPM	BHP	RPM
135-7	680	2544	1321	0.204	1635	0.346	1900	0.501	2130	0.664	2335	0.834	2522	1.013	2695	1.199	2854	1.390					
	810	3031	1452	0.280	1735	0.440	1985	0.614	2208	0.797	2410	0.988	2595	1.186	2765	1.389	2925	1.600					
	930	3480	1583	0.369	1839	0.546	2074	0.737	2289	0.939	2486	1.149	2666	1.364	2835	1.587	2994	1.817					
	1060	3966	1733	0.490	1965	0.684	2182	0.894	2384	1.114	2573	1.344	2750	1.581	2915	1.824							
	1180	4415	1878	0.628	2089	0.838	2291	1.063	2481	1.301	2662	1.548	2832	1.803	2992	2.064							
	1300	4864	2026	0.792	2221	1.019	2408	1.260	2587	1.514	2758	1.778	2923	2.053									
	1430	5351	2191	1.004	2370	1.249	2543	1.508	2710	1.779	2871	2.061											
	1550	5800	2345	1.234	2511	1.495	2673	1.771	2830	2.058	2982	2.356											
	1680	6286	2516	1.525	2669	1.803	2819	2.096	2966	2.399													
	1800	6735	2673	1.832	2818	2.129	2959	2.437															
	1920	7184	2833	2.182	2969	2.495																	
	135-8	870	2492	1358	0.238	1641	0.396	1899	0.572	2131	0.760	2340	0.955	2532	1.159	2709	1.370	2873	1.584				
1010		2893	1487	0.315	1739	0.488	1975	0.679	2196	0.886	2399	1.102	2586	1.325	2762	1.556	2925	1.791					
1150		3295	1625	0.412	1851	0.600	2066	0.806	2272	1.029	2465	1.263	2647	1.505	2819	1.757	2980	2.014					
1280		3667	1758	0.522	1964	0.724	2163	0.944	2353	1.180	2537	1.430	2711	1.690	2878	1.959							
1420		4068	1907	0.665	2095	0.882	2276	1.116	2453	1.368	2624	1.632	2789	1.908	2948	2.195							
1560		4469	2059	0.835	2231	1.068	2399	1.317	2563	1.584	2722	1.862	2877	2.153									
1690		4841	2202	1.019	2362	1.268	2519	1.532	2671	1.810	2821	2.103	2968	2.409									
1830		5243	2358	1.250	2508	1.515	2653	1.795	2796	2.088	2936	2.396											
1970		5644	2516	1.515	2656	1.798	2792	2.093	2926	2.402													
2110		6045	2676	1.819	2807	2.118	2935	2.430															
2240		6417	2825	2.137	2948	2.451																	
135-9		1110	2513	1470	0.304	1708	0.476	1936	0.670	2151	0.881	2354	1.106	2544	1.339	2721	1.580	2889	1.830				
	1240	2807	1587	0.380	1805	0.564	2013	0.770	2213	0.993	2404	1.230	2587	1.480	2760	1.738	2925	2.005					
	1380	3124	1717	0.478	1916	0.676	2107	0.894	2292	1.129	2471	1.381	2644	1.644	2810	1.919	2969	2.202					
	1520	3441	1851	0.595	2035	0.808	2211	1.039	2382	1.285	2548	1.548	2711	1.825	2869	2.115							
	1660	3757	1988	0.732	2159	0.960	2323	1.204	2481	1.463	2637	1.739	2789	2.028	2937	2.328							
	1800	4074	2127	0.892	2287	1.136	2439	1.393	2588	1.665	2733	1.953	2877	2.255									
	1940	4391	2267	1.076	2418	1.335	2561	1.608	2701	1.894	2837	2.193	2971	2.506									
	2070	4686	2399	1.270	2542	1.544	2677	1.829	2809	2.128	2939	2.442											
	2210	5002	2542	1.505	2677	1.796	2806	2.097	2931	2.410													
	2350	5319	2686	1.769	2813	2.076	2936	2.394															
	2490	5636	2831	2.066	2952	2.389																	
	135-10	1370	2512	1621	0.395	1827	0.584	2022	0.793	2210	1.020	2392	1.264	2569	1.522	2738	1.791	2900	2.070				
1500		2750	1734	0.479	1927	0.682	2109	0.901	2284	1.138	2454	1.392	2620	1.660	2782	1.942	2937	2.233					
1630		2989	1851	0.577	2032	0.793	2202	1.024	2366	1.272	2525	1.535	2682	1.813	2835	2.106	2984	2.410					
1760		3227	1969	0.689	2140	0.919	2300	1.162	2455	1.422	2604	1.694	2752	1.983	2896	2.285							
1890		3465	2088	0.817	2251	1.061	2403	1.317	2548	1.588	2690	1.872	2829	2.170	2966	2.480							
2030		3722	2218	0.973	2372	1.233	2517	1.504	2654	1.786	2789	2.083	2919	2.391									
2160		3960	2340	1.136	2487	1.410	2625	1.696	2756	1.990	2884	2.298											
2290		4199	2463	1.318	2603	1.607	2735	1.907	2861	2.215	2984	2.536											
2420		4437	2586	1.520	2721	1.825	2848	2.138	2968	2.459													
2550		4675	2710	1.744	2840	2.063	2962	2.392															
2680		4914	2835	1.990	2960	2.325																	
135-11		1680	2546	1824	0.539	2008	0.755	2178	0.985	2340	1.231	2497	1.492	2651	1.770	2802	2.060	2950	2.364	3094	2.679	3234	3.003
	1910	2894	2022	0.722	2192	0.964	2346	1.215	2493	1.480	2636	1.760	2775	2.053	2911	2.359	3046	2.679	3178	3.010	3309	3.355	
	2130	3228	2214	0.937	2373	1.204	2517	1.478	2653	1.764	2784	2.062	2912	2.370	3037	2.694	3161	3.028	3283	3.375	3403	3.733	
	2360	3576	2418	1.207	2566	1.501	2701	1.801	2828	2.110	2950	2.429	3069	2.759	3185	3.099	3299	3.452	3411	3.815	3522	4.186	
	2580	3909	2615	1.516	2754	1.836	2882	2.160	3002	2.492	3116	2.831	3228	3.181	3337	3.542	3443	3.909	3548	4.291	3652	4.681	
	2800	4243	2814	1.875	2945	2.222	3066	2.571	3180	2.928	3288	3.290	3394	3.662	3497	4.042	3597	4.430					
	3030	4591	3023	2.313	3147	2.688	3262	3.065	3370	3.445	3474	3.834	3573	4.226	3670	4.629							
	3250	4925	3224	2.795	3342	3.197	3451	3.598	3554	4.004	3654	4.417											
	3480	5273	3435	3.367	3547	3.797	3651	4.227	3751	4.663													
	3700	5606	3639	3.991	3745	4.446																	
	3930	5955	3851	4.719																			
	135-12	1990	2534	2031	0.713	2204	0.961	2359	1.219	2504	1.487	2643	1.767	2779	2.062	2912	2.371	3043	2.692	3172	3.024	3299	3.369
2200		2801	2207	0.903	2370	1.176	2516	1.455	2652	1.743	2782	2.042	2908	2.353	3031	2.675	3152	3.011	3272	3.357	3389	3.715	
2410		3069	2384	1.128	2539	1.426	2678	1.727	2807	2.038	2929	2.355	3047	2.684	3163	3.023	3276	3.374	3387	3.735	3498	4.110	
2620		3336	2564	1.391	2711	1.714	2843	2.040	2966	2.371	3082	2.711	3195	3.060	3303	3.416	3410	3.784	3514	4.159	3617	4.546	
2830		3603	2745	1.695	2885	2.044	3011	2.393	3129	2.749	3240	3.111	3347	3.478	3451	3.856	3551	4.239	3650	4.634			
3040		3871	2927	2.044	3061	2.417	3182	2.793	3295	3.173	3401	3.555	3504	3.945	3602	4.341	3699	4.747					
3260		4151	3119	2.459	3246	2.861	3363	3.263	3471	3.667	3574	4.075	3672	4.488									
3470		4418	3303	2.910	3425	3.336	3537	3.765	3642	4.194	3741	4.627											
3680		4686	3488	3.414	3604	3.866	3712	4.319	3813	4.773													
3890		4953	3674	3.978	3785	4.454																	
4100		5220	3860	4.601																			
135-13		2330	2528	2264	0.952	2429	1.239	2574	1.530	2708	1.829	2835	2.137	2957	2.455	3076	2.785	3192	3.125	3308	3.479	3421	3.843
	2540	2756	2437	1.175	2594	1.487	2733	1.803	2861	2.123	2982	2.452	3097	2.788	3209	3.134	3319	3.493	3427	3.860	3533	4.239	
	2750	2983	2610	1.432	2761	1.771	2894	2.110	3017	2.454	3133	2.805	32										

150 AIR PERFORMANCE (PART 1 OF 2)

Model	CFM	OV	0.5"SP		1"SP		1.5"SP		2"SP		2.5"SP		3"SP		3.5"SP		4"SP		4.5"SP		5"SP		
			RPM	BHP	RPM	BHP	RPM	BHP	RPM	BHP	RPM	BHP	RPM	BHP	RPM	BHP	RPM	BHP	RPM	BHP	RPM	BHP	RPM
150-8	890	2550	1197	0.274	1481	0.471	1723	0.692	1934	0.933	2122	1.188	2292	1.457	2450	1.740	2596	2.035	2732	2.335	2861	2.649	
	1150	3295	1386	0.443	1623	0.669	1842	0.923	2043	1.199	2225	1.491	2393	1.797	2549	2.118	2695	2.449	2831	2.789	2959	3.137	
	1400	4011	1590	0.680	1791	0.935	1983	1.218	2165	1.522	2338	1.849	2498	2.188	2650	2.542	2792	2.907	2927	3.282	3056	3.671	
	1660	4756	1816	1.021	1986	1.307	2154	1.619	2317	1.954	2473	2.308	2623	2.680	2767	3.070	2904	3.468	3035	3.880	3161	4.304	
	1910	5472	2040	1.455	2190	1.772	2337	2.114	2482	2.477	2625	2.861	2762	3.260	2896	3.678	3026	4.109	3151	4.552			
	2170	6217	2279	2.031	2412	2.385	2543	2.759	2672	3.152	2799	3.562	2925	3.993	3049	4.442							
	2420	6933	2513	2.726	2632	3.114	2750	3.519	2867	3.942	2983	4.381	3098	4.841									
	2680	7678	2758	3.606	2866	4.030	2973	4.470	3079														
	2930	8394	2996	4.622																			
	3170	9110	3234	0.320	1486	0.525	1720	0.763	1932	1.024	2124	1.303	2299	1.597	2461	1.905	2611	2.224	2752	2.555	2885	2.896	
150-9	1360	3078	1406	0.478	1617	0.706	1820	0.964	2013	1.249	2196	1.556	2366	1.880	2525	2.219	2675	2.571	2817	2.937	2950	3.310	
	1610	3644	1592	0.694	1772	0.948	1948	1.228	2120	1.534	2286	1.863	2446	2.214	2598	2.579	2744	2.962	2883	3.357	3014	3.761	
	1860	4210	1786	0.978	1944	1.261	2098	1.564	2250	1.892	2400	2.243	2546	2.615	2687	3.003	2825	3.409	2957	3.829	3086	4.266	
	2110	4776	1986	1.341	2126	1.653	2263	1.982	2399	2.335	2532	2.706	2665	3.097	2795	3.508	2923	3.936	3047	4.379	3169	4.838	
	2360	5342	2190	1.792	2316	2.135	2439	2.494	2562	2.871	2682	3.263	2802	3.678	2921	4.111	3038	4.558					
	2610	5908	2396	2.342	2511	2.716	2623	3.104	2734	3.507	2845	3.929	2954	4.366	3063	4.820							
	2860	6474	2604	3.001	2709	3.407	2813	3.825	2915	4.257	3016	4.705											
	3110	7040	2815	3.782	2911	4.216	3006	4.666															
	3360	7605	3025	4.689																			
	3610	8170	3234	0.424	1558	0.643	1758	0.893	1951	1.172	2135	1.474	2309	1.797	2471	2.135	2624	2.488	2768	2.851	2905	3.229	
150-10	1670	3062	1529	0.608	1706	0.853	1878	1.123	2048	1.420	2213	1.741	2373	2.084	2526	2.443	2674	2.822	2816	3.216	2951	3.623	
	1920	3520	1707	0.839	1864	1.112	2015	1.404	2165	1.719	2312	2.056	2457	2.415	2599	2.797	2737	3.193	2872	3.610	3002	4.037	
	2170	3979	1890	1.130	2030	1.431	2166	1.748	2300	2.086	2432	2.442	2563	2.819	2693	3.216	2819	3.628	2944	4.060	3067	4.509	
	2420	4437	2076	1.487	2204	1.818	2327	2.163	2448	2.522	2568	2.901	2686	3.298	2804	3.712	2920	4.142	3037	4.594			
	2670	4895	2264	1.920	2382	2.282	2495	2.653	2606	3.042	2716	3.444	2823	3.858	2932	4.295	3039	4.745					
	2920	5354	2455	2.436	2563	2.828	2668	3.231	2770	3.643	2872	4.071	2972	4.513									
	3170	5812	2646	3.040	2747	3.463	2845	3.896	2941	4.339	3034	4.792											
	3430	6289	2847	3.775	2941	4.231	3032	4.693															
	3680	6747	3041	4.588																			
	3930	7205	3234	0.523	1641	0.760	1815	1.020	1985	1.307	2152	1.618	2314	1.954	2470	2.307	2620	2.680	2763	3.067	2902	3.472	
150-11	1920	2909	1627	0.712	1787	0.975	1941	1.259	2091	1.561	2240	1.888	2386	2.237	2530	2.608	2670	2.996	2806	3.403	2939	3.825	
	2170	3288	1798	0.949	1943	1.240	2082	1.548	2217	1.872	2350	2.216	2481	2.581	2612	2.965	2740	3.369	2867	3.790	2991	4.228	
	2420	3667	1971	1.238	2105	1.560	2231	1.892	2354	2.241	2475	2.607	2594	2.988	2713	3.387	2831	3.807	2946	4.242	3061	4.693	
	2670	4046	2147	1.588	2271	1.940	2387	2.300	2500	2.673	2612	3.062	2721	3.464	2829	3.881	2937	4.316	3044	4.769			
	2930	4440	2332	2.020	2447	2.403	2555	2.795	2660	3.196	2763	3.611	2863	4.035	2964	4.477							
	3180	4819	2512	2.510	2619	2.924	2721	3.346	2819	3.776	2915	4.217	3009	4.665									
	3430	5197	2693	3.077	2793	3.523	2889	3.974	2981	4.433	3071												
	3680	5576	2874	3.729	2969	4.205	3060	4.689															
	3930	5955	3057	4.469																			
	4180	6334	3234	0.678	1774	0.944	1925	1.225	2072	1.527	2217	1.850	2360	2.195	2502	2.562	2639	2.947	2776	3.355	2906	3.772	
150-12	2220	2827	1769	0.882	1917	1.175	2055	1.480	2189	1.803	2319	2.141	2449	2.501	2577	2.880	2704	3.278	2830	3.697	2953	4.131	
	2460	3132	1928	1.128	2065	1.449	2193	1.780	2316	2.125	2435	2.484	2554	2.860	2671	3.255	2787	3.667	2902	4.094	3016	4.540	
	2700	3438	2089	1.420	2217	1.770	2336	2.130	2451	2.499	2562	2.880	2670	3.275	2779	3.688	2885	4.113	2992	4.557			
	2940	3743	2251	1.762	2371	2.142	2483	2.529	2591	2.925	2694	3.329	2796	3.747	2897	4.179	2996	4.625					
	3180	4049	2414	2.159	2528	2.571	2634	2.986	2735	3.407	2834	3.841	2929	4.281	3023	4.733							
	3420	4354	2579	2.617	2687	3.059	2788	3.505	2884	3.954	2976	4.411	3067	4.879									
	3660	4660	2745	3.139	2847	3.613	2943	4.086	3034	4.565	3122												
	3900	4966	2911	3.732	3009	4.234	3100	4.737															
	4140	5271	3079	4.398																			

Performance certified is for installation Type A: Free inlet, Free outlet. Power rating (BHP) does not include transmission losses. Performance ratings do not include the effects of appurtenances (accessories).

150 AIR PERFORMANCE (PART 2 OF 2)

Model	CFM	OV	0.5"SP		1"SP		1.5"SP		2"SP		2.5"SP		3"SP		3.5"SP		4"SP		4.5"SP		5"SP	
			RPM	BHP	RPM	BHP	RPM	BHP	RPM	BHP	RPM	BHP	RPM	BHP	RPM	BHP	RPM	BHP	RPM	BHP	RPM	BHP
150-13	2360	2560	1814	0.926	1961	1.233	2094	1.549	2223	1.880	2348	2.225	2470	2.588	2593	2.972	2714	3.370	2834	3.790	2952	4.225
	2580	2799	1955	1.145	2093	1.478	2219	1.820	2339	2.172	2455	2.537	2570	2.918	2682	3.312	2794	3.725	2904	4.154	3014	4.600
	2790	3027	2091	1.387	2222	1.748	2342	2.113	2455	2.488	2564	2.872	2671	3.270	2777	3.683	2881	4.108	2985	4.551		
	3010	3266	2234	1.678	2359	2.066	2472	2.456	2580	2.857	2684	3.263	2785	3.683	2884	4.114	2982	4.559				
	3230	3504	2379	2.011	2497	2.426	2606	2.846	2709	3.269	2808	3.702	2903	4.142	2996	4.590						
	3450	3743	2524	2.388	2637	2.831	2741	3.276	2840	3.727	2934	4.185	3025	4.646								
	3660	3971	2663	2.791	2772	3.262	2872	3.735	2966	4.208	3057	4.688										
	3880	4209	2810	3.262	2914	3.761	3010	4.261	3101	4.763												
	4100	4448	2957	3.790	3057	4.315	3150	4.846														
4320	4687	3105	4.373																			
150-14	2680	2507	1980	1.162	2119	1.508	2244	1.858	2362	2.217	2476	2.590	2588	2.974	2697	3.373	2805	3.789	2913	4.221	3019	4.666
	2870	2685	2099	1.373	2233	1.742	2353	2.115	2466	2.498	2574	2.886	2680	3.288	2783	3.702	2885	4.131	2986	4.573		
	3060	2862	2220	1.610	2348	2.005	2464	2.401	2572	2.803	2676	3.214	2777	3.634	2874	4.063	2971	4.505				
	3260	3050	2347	1.891	2471	2.311	2582	2.730	2686	3.156	2785	3.588	2882	4.029	2975	4.478						
	3450	3227	2469	2.189	2588	2.632	2695	3.075	2796	3.524	2892	3.979	2985	4.439								
	3640	3405	2591	2.516	2706	2.986	2811	3.455	2908	3.925	3001	4.402	3090	4.882								
	3840	3592	2720	2.899	2831	3.394	2933	3.889	3027	4.383	3116	4.882	3203									
	4030	3770	2844	3.300	2951	3.816	3049	4.334	3141	4.856												
	4220	3948	2967	3.736	3071	4.279	3166	4.821														
4410	4125	3091	4.211	3191	4.777																	
4610	4312	3222	4.755																			
150-15	3070	2502	2191	1.526	2324	1.921	2442	2.317	2552	2.720	2656	3.128	2757	3.546	2855	3.975	2952	4.416	3048	4.870		
	3250	2648	2303	1.761	2431	2.178	2546	2.598	2652	3.020	2753	3.449	2850	3.884	2945	4.333	3037	4.789				
	3420	2787	2409	2.005	2534	2.443	2645	2.885	2748	3.327	2846	3.775	2940	4.230	3031	4.692						
	3590	2925	2516	2.272	2637	2.733	2746	3.196	2845	3.657	2940	4.124	3032	4.600								
	3760	3064	2623	2.562	2741	3.046	2846	3.530	2944	4.015	3036	4.502										
	3930	3202	2731	2.880	2845	3.384	2948	3.890	3043	4.394												
	4100	3341	2839	3.224	2949	3.749	3050	4.276	3143	4.805												
	4270	3480	2946	3.595	3055	4.143	3153	4.693														
	4450	3626	3061	4.020	3166	4.589																
4620	3765	3170	4.452																			
4790	3903	3278	4.916																			
150-16	3490	2500	2422	2.008	2549	2.456	2662	2.906	2765	3.356	2863	3.811	2956	4.271	3047	4.741						
	3620	2593	2502	2.206	2627	2.671	2737	3.135	2839	3.603	2935	4.075	3026	4.549								
	3740	2679	2577	2.401	2699	2.882	2807	3.362	2907	3.845	3001	4.327	3091	4.816								
	3870	2772	2658	2.626	2777	3.121	2883	3.619	2982	4.118	3074	4.616										
	4000	2865	2738	2.863	2855	3.375	2960	3.890	3056	4.404	3147	4.921										
	4130	2958	2819	3.116	2934	3.646	3037	4.176	3132	4.709	3221											
	4260	3051	2900	3.385	3013	3.933	3114	4.479														
	4390	3144	2981	3.670	3091	4.232	3192	4.799														
	4520	3237	3063	3.972	3171	4.550																
4650	3330	3145	4.292	3250	4.885																	
4780	3423	3226	4.628																			
150-17	3960	2512	2686	2.680	2807	3.188	2914	3.695	3013	4.206	3105	4.717										
	4050	2569	2741	2.843	2860	3.362	2967	3.881	3064	4.403												
	4150	2633	2802	3.034	2920	3.563	3025	4.095	3121	4.628												
	4250	2696	2864	3.231	2979	3.772	3083	4.319	3179	4.865												
	4350	2760	2925	3.439	3039	3.992	3142	4.551														
	4450	2823	2987	3.654	3099	4.221	3201	4.793														
	4540	2880	3043	3.858	3154	4.435																
	4640	2944	3104	4.092	3214	4.682																
	4740	3007	3166	4.337																		
4840	3071	3228	4.591																			
4940	3134	3290	4.854																			

Performance certified is for installation Type A: Free inlet, Free outlet. Power rating (BHP) does not include transmission losses. Performance ratings do not include the effects of appurtenances (accessories).

165 AIR PERFORMANCE (PART 1 OF 2)

Model	CFM	OV	0.5"SP		1"SP		1.5"SP		2"SP		2.5"SP		3"SP		3.5"SP		4"SP		4.5"SP		5"SP	
			RPM	BHP	RPM	BHP	RPM	BHP	RPM	BHP	RPM	BHP	RPM	BHP	RPM	BHP	RPM	BHP	RPM	BHP	RPM	BHP
165-8	870	2492	1056	0.244	1319	0.419	1533	0.612	1719	0.821	1883	1.042	2034	1.279	2172	1.524	2301	1.780	2425	2.050		
	1050	3008	1158	0.339	1401	0.539	1608	0.756	1789	0.987	1951	1.231	2099	1.489	2235	1.755	2364	2.035				
	1230	3524	1271	0.464	1494	0.688	1689	0.929	1864	1.184	2024	1.453	2169	1.732	2304	2.022	2430	2.319				
	1410	4039	1390	0.624	1594	0.872	1779	1.137	1946	1.416	2100	1.709	2243	2.012	2375	2.322						
	1580	4526	1509	0.811	1696	1.081	1869	1.369	2029	1.671	2178	1.986	2316	2.310	2446	2.645						
	1760	5042	1639	1.052	1810	1.346	1971	1.658	2123	1.984	2266	2.324	2399	2.672								
	1940	5558	1772	1.341	1930	1.661	2080	1.995	2223	2.347	2359	2.710										
	2120	6073	1908	1.686	2053	2.028	2193	2.388	2329	2.763												
	2300	6589	2046	2.089	2181	2.456	2312	2.841	2439	3.237												
	2480	7105	2185	2.556	2311	2.949	2434	3.357														
2660	7620	2326	3.092	2444	3.510																	
165-9	1110	2513	1069	0.287	1324	0.484	1542	0.701	1731	0.934	1900	1.181	2053	1.439	2194	1.707	2327	1.990				
	1320	2988	1174	0.395	1402	0.615	1608	0.857	1792	1.115	1958	1.387	2109	1.670	2250	1.964	2381	2.269				
	1520	3441	1284	0.527	1489	0.769	1680	1.033	1855	1.315	2017	1.611	2166	1.919	2305	2.237	2435	2.566				
	1720	3893	1401	0.693	1585	0.956	1761	1.242	1927	1.547	2081	1.866	2226	2.197	2362	2.540						
	1920	4346	1523	0.896	1689	1.181	1850	1.488	2005	1.815	2153	2.158	2292	2.512	2425	2.879						
	2120	4799	1648	1.141	1800	1.448	1948	1.777	2092	2.125	2231	2.489	2364	2.867								
	2320	5251	1775	1.431	1915	1.761	2052	2.112	2186	2.481	2317	2.867	2443	3.268								
	2530	5727	1912	1.790	2040	2.145	2166	2.518	2291	2.910	2414	3.319										
	2730	6179	2043	2.190	2162	2.566	2280	2.963	2397	3.377												
	2930	6632	2176	2.647	2287	3.047	2397	3.466														
3130	7085	2309	3.167	2414	3.593																	
165-10	1360	2494	1100	0.336	1330	0.549	1542	0.787	1732	1.045	1904	1.316	2060	1.599	2205	1.893	2340	2.199				
	1570	2879	1202	0.444	1405	0.675	1599	0.934	1780	1.212	1947	1.507	2102	1.814	2245	2.133	2380	2.462				
	1790	3282	1315	0.585	1496	0.837	1672	1.115	1840	1.414	1999	1.732	2148	2.062	2289	2.406	2422	2.761				
	2000	3667	1428	0.751	1592	1.022	1752	1.319	1907	1.639	2057	1.976	2200	2.328	2337	2.695						
	2220	4070	1551	0.961	1699	1.255	1845	1.572	1988	1.910	2127	2.267	2262	2.639	2392	3.028						
	2430	4455	1671	1.200	1807	1.515	1940	1.851	2072	2.207	2202	2.584	2329	2.975								
	2640	4840	1792	1.480	1918	1.816	2042	2.172	2164	2.548	2285	2.943	2404	3.353								
	2860	5244	1921	1.820	2037	2.179	2153	2.558	2266	2.955	2379	3.368										
	3070	5629	2046	2.194	2155	2.577	2262	2.976	2368	3.392												
	3280	6014	2171	2.620	2273	3.025	2374	3.446														
3500	6417	2304	3.125	2399	3.553																	
165-11	1680	2546	1184	0.428	1378	0.658	1566	0.917	1745	1.199	1912	1.499	2069	1.815	2215	2.142	2351	2.478				
	1890	2864	1285	0.546	1459	0.794	1630	1.069	1795	1.368	1953	1.686	2103	2.021	2246	2.370	2381	2.730				
	2100	3182	1391	0.688	1549	0.955	1703	1.247	1855	1.562	2003	1.898	2146	2.250	2283	2.620	2415	3.001				
	2310	3500	1499	0.859	1644	1.144	1786	1.453	1925	1.785	2062	2.136	2197	2.507	2328	2.894						
	2520	3818	1610	1.058	1743	1.364	1874	1.691	2003	2.040	2131	2.408	2256	2.794	2379	3.196						
	2730	4137	1722	1.290	1846	1.617	1968	1.963	2087	2.327	2206	2.712	2324	3.114	2440	3.534						
	2940	4455	1835	1.556	1951	1.903	2065	2.269	2177	2.652	2288	3.055	2398	3.472								
	3150	4773	1950	1.861	2059	2.230	2166	2.615	2271	3.017	2375	3.437										
	3360	5091	2066	2.205	2169	2.596	2269	3.002	2368	3.422												
	3570	5409	2182	2.592	2279	3.004	2375	3.431														
3780	5728	2299	3.025	2391	3.459																	
165-12	1960	2496	1264	0.514	1435	0.760	1600	1.032	1763	1.329	1919	1.647	2070	1.984	2213	2.334	2349	2.697				
	2160	2750	1359	0.634	1516	0.897	1667	1.184	1817	1.495	1963	1.827	2105	2.179	2242	2.546	2374	2.927				
	2370	3018	1461	0.782	1606	1.063	1745	1.366	1883	1.693	2018	2.039	2151	2.406	2281	2.790	2407	3.188				
	2570	3272	1561	0.946	1695	1.246	1825	1.565	1953	1.907	2079	2.267	2203	2.647	2326	3.045	2446	3.461				
	2780	3540	1667	1.144	1792	1.464	1913	1.802	2032	2.159	2149	2.535	2266	2.929	2381	3.344						
	2980	3794	1768	1.358	1886	1.698	2001	2.055	2112	2.429	2222	2.819	2332	3.228	2440	3.654						
	3180	4049	1871	1.602	1983	1.962	2091	2.336	2196	2.727	2300	3.134	2403	3.558								
	3390	4316	1980	1.889	2086	2.271	2188	2.665	2288	3.074	2386	3.498										
	3590	4571	2084	2.196	2185	2.597	2282	3.010	2377	3.437												
	3800	4838	2195	2.555	2290	2.977	2383	3.411														
4000	5093	2300	2.932	2391	3.375																	

Performance certified is for installation Type A: Free inlet, Free outlet. Power rating (BHP) does not include transmission losses. Performance ratings do not include the effects of appurtenances (accessories).

165 AIR PERFORMANCE (PART 2 OF 2)

Model	CFM	OV	0.5"SP		1"SP		1.5"SP		2"SP		2.5"SP		3"SP		3.5"SP		4"SP		4.5"SP		5"SP	
			RPM	BHP	RPM	BHP	RPM	BHP	RPM	BHP	RPM	BHP	RPM	BHP	RPM	BHP	RPM	BHP	RPM	BHP	RPM	BHP
165-13	2320	2517	1392	0.666	1541	0.937	1684	1.229	1824	1.544	1963	1.882	2100	2.240	2232	2.615	2361	3.005				
	2510	2723	1481	0.796	1621	1.084	1754	1.391	1885	1.720	2015	2.070	2143	2.440	2268	2.827	2392	3.231				
	2690	2918	1567	0.935	1699	1.240	1825	1.562	1948	1.905	2070	2.266	2190	2.648	2309	3.047	2427	3.464				
	2880	3124	1659	1.101	1784	1.424	1903	1.763	2019	2.120	2133	2.495	2247	2.889	2359	3.301						
	3060	3320	1746	1.278	1866	1.618	1979	1.973	2089	2.344	2198	2.734	2305	3.140	2411	3.561						
	3250	3526	1840	1.486	1954	1.845	2061	2.217	2166	2.604	2269	3.008	2370	3.426								
	3430	3721	1929	1.704	2038	2.081	2141	2.470	2241	2.873	2339	3.290	2436	3.723								
	3620	3927	2024	1.959	2128	2.354	2227	2.762	2322	3.182	2416	3.616										
	3810	4133	2119	2.239	2219	2.655	2313	3.079	2406	3.518												
	3990	4329	2209	2.529	2306	2.964	2397	3.407														
	4180	4535	2306	2.865	2398	3.319																
165-14	2670	2498	1520	0.840	1655	1.139	1783	1.454	1908	1.790	2031	2.145	2152	2.519	2273	2.914	2391	3.323	2507	3.750	2621	4.189
	2880	2694	1617	1.003	1746	1.322	1866	1.655	1983	2.007	2098	2.376	2211	2.764	2324	3.171	2435	3.594	2545	4.032	2654	4.488
	3100	2900	1721	1.198	1842	1.537	1956	1.891	2066	2.260	2174	2.646	2280	3.048	2385	3.466	2490	3.905	2593	4.356	2696	4.824
	3310	3096	1821	1.408	1936	1.769	2044	2.141	2149	2.528	2250	2.929	2351	3.346	2450	3.779	2549	4.231	2647	4.697		
	3520	3293	1922	1.644	2031	2.025	2135	2.418	2234	2.822	2330	3.240	2426	3.674	2520	4.122	2613	4.586				
	3730	3489	2023	1.907	2128	2.311	2227	2.722	2322	3.146	2414	3.581	2505	4.032	2594	4.495						
	3950	3695	2129	2.214	2230	2.639	2325	3.073	2415	3.516	2504	3.971	2590	4.438								
	4160	3891	2232	2.538	2328	2.985	2419	3.440	2506	3.901	2591	4.377	2674	4.861								
	4370	4088	2334	2.894	2427	3.361	2515	3.836	2599	4.321	2681	4.813										
	4580	4284	2437	3.283	2527	3.774	2612	4.270	2693	4.774												
	4790	4481	2541	3.708	2627	4.220	2709	4.738														
165-15	5010	4687	2650	4.192	2733	4.729																
	3090	2518	1684	1.105	1808	1.441	1924	1.790	2035	2.154	2143	2.535	2250	2.931	2356	3.346	2461	3.779	2565	4.226	2668	4.688
	3300	2689	1781	1.296	1899	1.653	2010	2.021	2115	2.402	2218	2.800	2319	3.211	2418	3.639	2518	4.084	2616	4.545		
	3510	2860	1879	1.511	1992	1.888	2097	2.276	2198	2.676	2296	3.089	2391	3.516	2486	3.958	2580	4.418	2673	4.891		
	3720	3031	1977	1.750	2086	2.149	2187	2.556	2283	2.975	2377	3.406	2468	3.848	2558	4.307	2647	4.779				
	3930	3202	2076	2.014	2180	2.435	2278	2.863	2370	3.300	2459	3.748	2547	4.208	2633	4.684						
	4140	3374	2175	2.306	2276	2.748	2370	3.199	2459	3.655	2545	4.123	2629	4.600								
	4350	3545	2275	2.628	2372	3.091	2462	3.561	2548	4.038	2632	4.524										
	4560	3716	2376	2.979	2469	3.464	2556	3.955	2640	4.454												
	4780	3895	2481	3.380	2571	3.890	2656	4.405														
	165-16	4990	4066	2582	3.797	2669	4.329															
5200		4237	2683	4.252																		
5410		4408	2784	4.738																		
3580		2564	1882	1.495	1997	1.879	2103	2.271	2202	2.673	2299	3.090	2394	3.519	2487	3.963	2579	4.420	2671	4.894		
3760		2693	1965	1.691	2076	2.094	2178	2.502	2275	2.922	2368	3.352	2459	3.794	2548	4.252	2637	4.721				
3940		2822	2048	1.905	2156	2.326	2254	2.752	2348	3.187	2438	3.634	2525	4.091	2612							
4120		2951	2132	2.137	2236	2.577	2331	3.021	2422	3.473	2509	3.936	2594	4.407	2677							
4300		3080	2215	2.388	2316	2.847	2409	3.310	2497	3.778	2582	4.256	2664	4.746								
4480		3209	2299	2.660	2397	3.139	2488	3.619	2573	4.106	2656	4.600										
4660		3337	2383	2.953	2479	3.451	2567	3.949	2650	4.452												
165-17		4830	3459	2463	3.252	2556	3.766	2642	4.283	2723	4.803											
	5010	3588	2548	3.589	2638	4.120	2722	4.656														
	5190	3717	2633	3.948	2720	4.499																
	5370	3846	2718	4.333																		
	5550	3975	2803	4.743																		
	3930	2493	2019	1.804	2129	2.222	2230	2.647	2324	3.080	2415	3.522	2503	3.975	2590	4.443	2675	4.922				
	4090	2595	2092	1.996	2199	2.432	2297	2.873	2389	3.320	2477	3.776	2563	4.245	2647	4.724						
	4250	2696	2165	2.205	2269	2.657	2365	3.113	2454	3.575	2540	4.046	2624	4.527								
	4410	2798	2238	2.427	2340	2.896	2433	3.369	2521	3.845	2605	4.331	2686	4.827								
	4570	2899	2312	2.665	2411	3.152	2502	3.640	2588	4.134	2670	4.635										
	4730	3001	2385	2.919	2482	3.421	2571	3.926	2655	4.438	2735	4.951										
4890	3102	2459	3.190	2554	3.711	2641	4.232	2723	4.757													
5050	3204	2533	3.477	2626	4.015	2711	4.553															
5210	3305	2607	3.781	2698	4.336	2781	4.891															
5370	3407	2682	4.105	2770	4.676																	
5530	3508	2756	4.448																			
5690	3610	2831	4.808																			
165-18	4420	2501	2221	2.346	2325	2.818	2419	3.289	2508	3.768	2592	4.253	2674	4.746								
	4540	2569	2275	2.516	2377	2.999	2470	3.484	2558	3.975	2640	4.471										
	4660	2637	2330	2.695	2430	3.190	2521	3.687	2607	4.190	2689	4.696										
	4780	2705	2384	2.882	2483	3.391	2573	3.900	2657	4.413												
	4900	2773	2439	3.077	2536	3.600	2624	4.121	2708	4.647												
	5030	2846	2498	3.300	2593	3.835	2681	4.372														
	5150	2914	2553	3.515	2647	4.065	2732	4.611														
	5270	2982	2608	3.740	2700	4.302	2785	4.863														
	5390	3050	2663	3.975	2754	4.551																
	5510	3118	2718	4.219	2807	4.808																
	5630	3186	2773	4.475																		
5750	3254	2829	4.740																			

Performance certified is for installation Type A: Free inlet, Free outlet. Power rating (BHP) does not include transmission losses. Performance ratings do not include the effects of appurtenances (accessories).

182 AIR PERFORMANCE (PART 1 OF 2)

Model	CFM	OV	0.5"SP		1"SP		1.5"SP		2"SP		2.5"SP		3"SP		3.5"SP		4"SP		4.5"SP		5"SP		
			RPM	BHP	RPM	BHP	RPM	BHP	RPM	BHP	RPM	BHP	RPM	BHP	RPM	BHP	RPM	BHP	RPM	BHP	RPM	BHP	RPM
182-9	1110	2513	945	0.292	1182	0.503	1376	0.732	1544	0.976	1694	1.234	1830	1.504	1956	1.785	2073	2.075	2184	2.381	2289	2.694	
	1350	3056	1042	0.413	1258	0.655	1445	0.917	1608	1.192	1755	1.482	1889	1.781	2013	2.093	2129	2.412	2239	2.744	2343	3.089	
	1590	3599	1149	0.572	1344	0.844	1520	1.137	1677	1.446	1820	1.768	1952	2.100	2074	2.442	2189	2.793	2298	3.158	2401	3.528	
	1830	4142	1263	0.778	1440	1.079	1603	1.403	1753	1.743	1891	2.096	2019	2.461	2139	2.837	2252	3.220	2360	3.616	2461	4.016	
	2070	4686	1383	1.036	1543	1.366	1694	1.720	1836	2.092	1968	2.477	2092	2.873	2209	3.282	2319	3.699	2424	4.123	2525	4.560	
	2310	5229	1507	1.355	1653	1.714	1792	2.096	1925	2.498	2051	2.914	2170	3.343	2283	3.784	2390	4.232	2493	4.689			
	2550	5772	1634	1.739	1767	2.127	1896	2.539	2021	2.971	2140	3.417	2253	3.876	2362	4.347							
	2790	6315	1763	2.197	1886	2.615	2006	3.057	2122	3.516	2234	3.992	2343	4.483									
	3030	6859	1895	2.737	2008	3.184	2120	3.655	2228	4.143	2334	4.647											
	3270	7402	2027	3.362	2133	3.840	2237	4.338	2339	4.855													
	3510	7945	2161	4.082	2259	4.590																	
	3750	8488	2295	4.902																			
	182-10	1360	2494	949	0.328	1178	0.560	1375	0.816	1547	1.088	1699	1.373	1838	1.669	1967	1.979	2085	2.296	2198	2.626	2304	2.965
1620		2970	1042	0.451	1247	0.709	1432	0.995	1598	1.298	1748	1.617	1886	1.947	2013	2.288	2131	2.637	2243	2.997	2349	3.367	
1880		3447	1145	0.610	1327	0.893	1498	1.206	1656	1.541	1801	1.890	1936	2.253	2061	2.628	2179	3.010	2290	3.405	2395	3.805	
2140		3924	1255	0.813	1418	1.121	1573	1.459	1721	1.820	1860	2.201	1991	2.595	2114	3.003	2229	3.419	2339	3.845	2444	4.283	
2400		4400	1370	1.063	1516	1.397	1658	1.760	1795	2.148	1927	2.556	2051	2.980	2170	3.415	2283	3.867	2391	4.325	2494	4.795	
2660		4877	1488	1.367	1620	1.727	1751	2.116	1878	2.529	2000	2.963	2119	3.414	2232	3.879	2342	4.360					
2930		5372	1612	1.746	1734	2.135	1853	2.549	1970	2.988	2085	3.449	2196	3.927	2304	4.422							
3190		5849	1735	2.178	1847	2.595	1957	3.036	2066	3.500	2172	3.983	2277	4.486									
3450		6325	1859	2.682	1962	3.126	2065	3.594	2166	4.082	2266	4.593											
3710		6802	1984	3.262	2080	3.734	2176	4.229	2270	4.744													
3970		7279	2109	3.923	2200	4.427																	
4230		7756	2236	4.677																			
182-11		1650	2500	977	0.382	1184	0.630	1375	0.910	1547	1.212	1701	1.529	1843	1.860	1973	2.199	2095	2.551	2209	2.910	2317	3.281
	1930	2924	1075	0.517	1257	0.787	1430	1.091	1592	1.421	1742	1.769	1881	2.133	2010	2.508	2131	2.892	2245	3.288	2353	3.692	
	2220	3364	1185	0.695	1345	0.990	1500	1.317	1650	1.672	1791	2.049	1925	2.443	2051	2.851	2171	3.272	2284	3.703	2391	4.141	
	2500	3788	1295	0.910	1439	1.229	1579	1.579	1716	1.955	1848	2.356	1975	2.777	2097	3.215	2213	3.667	2323	4.127	2430	4.603	
	2780	4212	1410	1.172	1539	1.518	1667	1.890	1792	2.289	1915	2.713	2034	3.158	2149	3.620	2260	4.099	2368	4.592			
	3070	4652	1530	1.499	1649	1.872	1765	2.269	1880	2.693	1993	3.138	2104	3.606	2212	4.094	2318	4.600					
	3350	5076	1649	1.871	1758	2.274	1865	2.696	1971	3.143	2076	3.611	2179	4.100	2281	4.610							
	3640	5516	1773	2.325	1874	2.756	1973	3.207	2072	3.678	2169	4.171	2265	4.683									
	3920	5940	1894	2.831	1989	3.292	2081	3.770	2173	4.267	2264	4.784											
	4200	6364	2016	3.410	2105	3.900	2192	4.406															
	4490	6804	2144	4.093	2227	4.613																	
	4770	7228	2268	4.840																			
	182-12	1980	2521	1034	0.462	1214	0.724	1386	1.022	1549	1.348	1702	1.696	1844	2.061	1975	2.438	2099	2.825	2215	3.223	2325	3.632
2270		2890	1135	0.611	1294	0.895	1448	1.212	1598	1.560	1741	1.932	1877	2.324	2005	2.732	2127	3.153	2242	3.584	2352	4.027	
2560		3259	1240	0.795	1383	1.104	1522	1.442	1658	1.809	1790	2.203	1918	2.617	2042	3.052	2159	3.500	2272	3.963	2380	4.439	
2850		3629	1349	1.019	1479	1.354	1605	1.714	1729	2.101	1851	2.513	1970	2.950	2086	3.408	2199	3.881	2307	4.370	2413	4.875	
3140		3998	1461	1.287	1580	1.650	1695	2.034	1809	2.443	1921	2.875	2032	3.330	2140	3.806	2246	4.302	2350	4.816			
3430		4367	1574	1.603	1684	1.994	1791	2.404	1896	2.835	1999	3.288	2102	3.763	2203	4.259	2303	4.775					
3720		4736	1689	1.973	1791	2.391	1890	2.828	1988	3.284	2084	3.758	2180	4.255	2274	4.771							
4010		5106	1805	2.399	1901	2.848	1993	3.311	2085	3.792	2175	4.290	2264	4.808									
4310		5488	1926	2.904	2016	3.384	2103	3.877	2188	4.386													
4600		5857	2044	3.462	2128	3.970	2210	4.491															
4890		6226	2162	4.088	2242	4.628																	
5180		6595	2281	4.792																			
182-13		2300	2495	1098	0.550	1257	0.828	1411	1.137	1560	1.478	1704	1.846	1842	2.237	1972	2.641	2095	3.064	2212	3.494	2323	3.938
	2590	2810	1197	0.707	1341	1.009	1479	1.339	1615	1.697	1748	2.083	1876	2.492	2001	2.923	2120	3.369	2235	3.831	2344	4.303	
	2890	3135	1303	0.904	1434	1.232	1560	1.585	1683	1.962	1805	2.366	1924	2.795	2040	3.244	2153	3.714	2263	4.201	2370	4.702	
	3180	3450	1408	1.130	1529	1.486	1645	1.862	1758	2.259	1870	2.682	1980	3.127	2088	3.595	2195	4.082	2299	4.591			
	3470	3765	1515	1.397	1627	1.780	1734	2.180	1839	2.601	1943	3.043	2045	3.506	2146	3.990	2246	4.497					
	3760	4079	1623	1.705	1727	2.119	1828	2.544	1925	2.988	2022	3.451	2117	3.936	2212	4.439							
	4060	4405	1736	2.074	1834	2.518	1928	2.972	2019	3.442	2109	3.929	2198	4.432									
	4350	4719	1846	2.482	1938	2.955	2027	3.438	2113	3.933	2198	4.444											
	4640	5034	1956	2.943	2044	3.446	2128	3.956	2210	4.481													
	4940	5359	2072	3.481	2154	4.014	2234	4.556															
	5230	5674	2183	4.062	2262	4.626																	
	5520	5989	2296	4.709																			

Performance certified is for installation Type A: Free inlet, Free outlet. Power rating (BHP) does not include transmission losses. Performance ratings do not include the effects of appurtenances (accessories).

182 AIR PERFORMANCE (PART 2 OF 2)

Model	CFM	OV	0.5"SP		1"SP		1.5"SP		2"SP		2.5"SP		3"SP		3.5"SP		4"SP		4.5"SP		5"SP		
			RPM	BHP	RPM	BHP	RPM	BHP	RPM	BHP	RPM	BHP	RPM	BHP	RPM	BHP	RPM	BHP	RPM	BHP	RPM	BHP	RPM
182-14	2680	2507	1190	0.682	1331	0.986	1466	1.314	1599	1.671	1729	2.055	1856	2.465	1979	2.895	2098	3.345	2212	3.810	2322	4.289	
	2970	2778	1288	0.855	1418	1.185	1542	1.535	1663	1.910	1782	2.310	1900	2.736	2015	3.184	2127	3.653	2237	4.139	2343	4.643	
	3260	3050	1388	1.058	1509	1.416	1624	1.790	1735	2.185	1845	2.604	1954	3.044	2061	3.507	2166	3.993	2270	4.498			
	3550	3321	1490	1.295	1603	1.681	1710	2.081	1814	2.498	1916	2.935	2017	3.394	2116	3.874	2215	4.374	2312	4.895			
	3840	3592	1593	1.569	1699	1.985	1800	2.411	1897	2.853	1992	3.311	2087	3.789	2179	4.285	2272	4.803					
	4130	3863	1697	1.883	1797	2.328	1892	2.782	1984	3.248	2074	3.730	2162	4.228	2249	4.745							
	4420	4135	1802	2.239	1897	2.714	1987	3.197	2074	3.690	2159	4.196	2242	4.716									
	4710	4406	1907	2.642	1998	3.147	2083	3.657	2166	4.177	2246	4.708											
	5000	4677	2013	3.092	2099	3.627	2181	4.169	2260	4.716													
	5290	4948	2120	3.593	2202	4.161	2280	4.729															
	5580	5220	2227	4.150	2306	4.748																	
	5870	5491	2335	4.765																			
182-15	3060	2494	1285	0.833	1415	1.168	1537	1.520	1656	1.895	1773	2.295	1887	2.718	2001	3.167	2111	3.635	2220	4.124	2326	4.629	
	3340	2722	1379	1.015	1501	1.377	1615	1.753	1725	2.147	1833	2.565	1939	3.004	2045	3.466	2148	3.947	2251	4.452			
	3620	2950	1474	1.224	1588	1.615	1696	2.016	1799	2.432	1899	2.867	1999	3.323	2097	3.801	2195	4.298	2291	4.817			
	3900	3178	1570	1.464	1678	1.883	1780	2.310	1876	2.749	1971	3.206	2065	3.680	2157	4.173	2248	4.686					
	4180	3406	1666	1.735	1769	2.183	1865	2.637	1958	3.103	2047	3.581	2135	4.075	2222	4.587							
	4450	3626	1760	2.030	1858	2.506	1951	2.989	2038	3.478	2124	3.980	2207	4.494									
	4730	3854	1858	2.373	1952	2.878	2040	3.389	2124	3.904	2206	4.432											
	5010	4083	1957	2.753	2047	3.290	2131	3.828	2212	4.373													
	5290	4311	2056	3.176	2142	3.743	2223	4.310	2301	4.883													
	5570	4539	2156	3.644	2238	4.239	2316	4.838															
	5850	4767	2256	4.156	2335	4.782																	
	6130	4995	2356	4.719																			
182-16	3490	2500	1401	1.037	1521	1.413	1633	1.799	1739	2.200	1844	2.623	1947	3.065	2049	3.531	2149	4.015	2249	4.523			
	3750	2686	1486	1.225	1601	1.628	1707	2.037	1808	2.461	1906	2.900	2003	3.360	2099	3.838	2194	4.338	2287	4.858			
	4020	2879	1576	1.445	1686	1.876	1787	2.312	1883	2.759	1976	3.219	2067	3.697	2157	4.191	2246	4.706					
	4280	3065	1664	1.683	1768	2.141	1865	2.603	1957	3.073	2045	3.555	2132	4.052	2217	4.563							
	4540	3252	1752	1.947	1852	2.434	1944	2.921	2033	3.416	2118	3.921	2200	4.438									
	4810	3445	1843	2.253	1940	2.767	2029	3.284	2113	3.805	2195	4.334	2274	4.872									
	5070	3631	1932	2.577	2025	3.120	2111	3.663	2192	4.210	2271	4.763											
	5330	3817	2022	2.935	2111	3.506	2194	4.078	2273	4.650													
	5600	4011	2115	3.341	2201	3.943	2281	4.541															
	5860	4197	2205	3.769	2288	4.398																	
	6120	4383	2295	4.234	2376	4.891																	
	6380	4569	2386	4.736																			
182-17	3930	2493	1521	1.279	1635	1.700	1738	2.126	1837	2.561	1932	3.011	2025	3.478	2117	3.964	2208	4.468					
	4170	2646	1599	1.472	1709	1.918	1808	2.367	1903	2.826	1994	3.296	2083	3.780	2170	4.280	2257	4.799					
	4410	2798	1678	1.685	1783	2.157	1880	2.630	1971	3.111	2058	3.600	2143	4.103	2227	4.623							
	4650	2950	1758	1.920	1859	2.417	1952	2.915	2040	3.418	2124	3.930	2206	4.453									
	4900	3109	1841	2.188	1939	2.713	2029	3.238	2113	3.765	2194	4.300	2273	4.843									
	5140	3261	1921	2.469	2016	3.022	2103	3.572	2185	4.124	2264	4.681											
	5380	3413	2001	2.777	2093	3.355	2178	3.930	2257	4.507													
	5620	3565	2082	3.111	2171	3.714	2253	4.316															
	5870	3724	2167	3.487	2253	4.117	2332	4.746															
	6110	3876	2248	3.876	2332	4.535																	
	6350	4029	2330	4.298																			
	6600	4187	2415	4.768																			
182-18	4420	2501	1659	1.599	1766	2.072	1864	2.547	1956	3.026	2043	3.514	2129	4.016	2213	4.532							
	4630	2620	1727	1.790	1831	2.286	1926	2.782	2015	3.282	2100	3.788	2183	4.308	2264	4.839							
	4850	2745	1799	2.007	1900	2.526	1992	3.045	2078	3.567	2161	4.096	2241	4.632									
	5060	2863	1867	2.229	1965	2.773	2055	3.314	2139	3.857	2220	4.407											
	5280	2988	1939	2.483	2035	3.050	2122	3.615	2204	4.182	2283	4.752											
	5490	3107	2009	2.744	2102	3.333	2187	3.922	2267	4.509													
	5700	3226	2078	3.023	2169	3.636	2252	4.245	2330	4.857													
	5920	3350	2151	3.336	2239	3.974	2320	4.608															
	6130	3469	2221	3.656	2307	4.317																	
	6350	3593	2294	4.013	2378	4.698																	
	6560	3712	2365	4.379																			
	6780	3837	2438	4.784																			
182-20	5630	2581	2012	2.664	2108	3.271	2195	3.875	2275	4.477													
	5850	2681	2083	2.938	2176	3.568	2261	4.196	2340	4.822													
	6070	2782	2154	3.232	2245	3.886	2328	4.538															
	6290	2883	2225	3.547	2314	4.223	2395																
	6510	2984	2297	3.882	2383	4.584																	
	6730	3085	2369	4.240																			
6950	3186	2440	4.618																				

Performance certified is for installation Type A: Free inlet, Free outlet. Power rating (BHP) does not include transmission losses. Performance ratings do not include the effects of appurtenances (accessories).

200 AIR PERFORMANCE (PART 1 OF 2)

Model	CFM	OV	0.5" SP		1" SP		1.5" SP		2" SP		2.5" SP		3" SP		3.5" SP		4" SP		4.5" SP		5" SP		
			RPM	BHP	RPM	BHP	RPM	BHP	RPM	BHP	RPM	BHP	RPM	BHP	RPM	BHP	RPM	BHP	RPM	BHP	RPM	BHP	RPM
200-11	2700	4091	1166	1.056	1308	1.431	1447	1.838	1579	2.272	1703	2.723	1819	3.191	1929	3.674	2033	4.167	2130	4.673			
	3000	4546	1264	1.355	1394	1.762	1521	2.199	1643	2.661	1761	3.145	1873	3.647	1980	4.164	2081	4.693	2177	5.231			
	3400	5152	1400	1.849	1515	2.297	1628	2.774	1739	3.276	1848	3.801	1952	4.343	2054	4.905	2151	5.480					
	3700	5606	1504	2.297	1610	2.776	1715	3.284	1818	3.815	1919	4.369	2018	4.944	2115	5.537	2209	6.144					
	4000	6061	1610	2.817	1708	3.329	1805	3.868	1901	4.428	1996	5.014	2090	5.618	2181	6.239							
	4300	6516	1716	3.416	1807	3.960	1898	4.529	1988	5.122	2077	5.737	2165	6.371									
	4600	6970	1824	4.100	1909	4.679	1994	5.280	2078	5.901	2162	6.546											
	5000	7576	1968	5.153	2046	5.776	2125	6.419	2203	7.084													
	5300	8031	2076	6.056	2151	6.715	2225	7.389															
	5600	8485	2186	7.064																			
200-12	3000	3820	1165	1.070	1296	1.451	1425	1.865	1551	2.309	1672	2.777	1789	3.267	1900	3.772	2005	4.291	2105	4.822	2200	5.366	
	3300	4202	1256	1.341	1376	1.750	1494	2.190	1610	2.660	1724	3.154	1834	3.670	1940	4.204	2043	4.754	2141	5.319			
	3700	4711	1381	1.777	1488	2.226	1594	2.701	1699	3.205	1802	3.733	1904	4.284	2004	4.855	2100	5.444	2194	6.049			
	4000	5093	1476	2.167	1576	2.645	1674	3.149	1771	3.678	1868	4.232	1963	4.807	2058	5.407	2150	6.022					
	4400	5602	1604	2.777	1695	3.296	1785	3.837	1874	4.404	1963	4.991	2050	5.602	2137	6.234	2223	6.883					
	4700	5984	1701	3.308	1787	3.859	1871	4.429	1955	5.022	2038	5.638	2121	6.271	2203	6.931							
	5100	6494	1832	4.124	1911	4.714	1989	5.325	2067	5.956	2144	6.607	2220	7.278									
	5500	7003	1964	5.071	2037	5.702	2110	6.353	2182	7.025													
	5800	7385	2063	5.871	2133	6.539	2202	7.219															
	6200	7894	2196	7.074																			
200-13	3200	3472	1155	1.033	1279	1.414	1402	1.828	1522	2.273	1640	2.745	1755	3.241	1866	3.756	1972	4.288	2073	4.834	2170	5.391	
	3600	3906	1269	1.362	1381	1.781	1490	2.227	1599	2.701	1706	3.204	1811	3.730	1914	4.278	2015	4.847	2112	5.431	2207	6.030	
	4000	4340	1385	1.764	1487	2.221	1587	2.701	1685	3.208	1782	3.740	1879	4.295	1974	4.876	2068	5.474	2160	6.092			
	4300	4665	1474	2.117	1570	2.603	1663	3.110	1755	3.642	1846	4.198	1936	4.777	2026	5.379	2115	6.001	2202	6.642			
	4700	5099	1594	2.664	1682	3.189	1768	3.733	1853	4.300	1936	4.887	2019	5.496	2102	6.128	2184	6.781					
	5100	5533	1715	3.305	1797	3.869	1877	4.452	1955	5.055	2033	5.676	2110	6.318	2186	6.979							
	5500	5967	1837	4.047	1913	4.652	1988	5.274	2061	5.912	2134	6.571	2205	7.244									
	5800	6292	1929	4.675	2002	5.312	2073	5.962	2142	6.629	2212	7.315											
	6200	6726	2052	5.615	2120	6.292	2187	6.984															
	6600	7160	2176	6.677																			
200-14	3400	3181	1158	1.024	1278	1.411	1395	1.828	1509	2.274	1623	2.750	1734	3.251	1842	3.774	1947	4.317	2049	4.877	2146	5.451	
	3800	3555	1267	1.326	1376	1.750	1481	2.199	1585	2.675	1687	3.177	1789	3.706	1889	4.259	1988	4.833	2084	5.425	2178	6.034	
	4200	3929	1378	1.690	1478	2.151	1574	2.634	1669	3.141	1762	3.673	1855	4.229	1947	4.808	2039	5.410	2128	6.030	2217	6.671	
	4600	4303	1490	2.121	1582	2.622	1672	3.141	1759	3.681	1845	4.243	1930	4.826	2015	5.433	2099	6.062	2183	6.709			
	5000	4677	1603	2.627	1690	3.168	1773	3.723	1854	4.297	1934	4.892	2013	5.507	2091	6.140	2169	6.795					
	5400	5051	1718	3.214	1799	3.795	1877	4.389	1952	4.997	2027	5.624	2101	6.273	2174	6.937							
	5800	5426	1833	3.887	1909	4.508	1982	5.141	2054	5.788	2124	6.449	2193	7.131									
	6200	5800	1949	4.655	2021	5.315	2090	5.987	2158	6.673	2224												
	6600	6174	2065	5.521	2133	6.223	2199	6.935															
	7000	6548	2183	6.496																			
200-15	3500	2852	1146	0.971	1265	1.360	1379	1.775	1491	2.219	1603	2.693	1712	3.192	1819	3.717	1924	4.261	2025	4.825	2123	5.402	
	4000	3259	1276	1.319	1383	1.754	1485	2.209	1585	2.690	1683	3.196	1780	3.727	1877	4.284	1972	4.862	2066	5.462	2158	6.078	
	4400	3585	1382	1.658	1481	2.130	1576	2.620	1667	3.132	1757	3.668	1847	4.226	1935	4.805	2023	5.410	2110	6.035	2196	6.677	
	4800	3911	1489	2.056	1582	2.567	1670	3.094	1755	3.639	1839	4.204	1921	4.791	2003	5.396	2084	6.027	2165	6.677			
	5200	4237	1598	2.518	1685	3.070	1768	3.635	1847	4.214	1925	4.812	2002	5.427	2078	6.063	2153	6.718	2229	7.394			
	5600	4563	1707	3.052	1789	3.644	1867	4.245	1942	4.862	2016	5.494	2087	6.140	2159	6.806	2230	7.492					
	6000	4889	1817	3.660	1895	4.292	1969	4.935	2040	5.587	2109	6.253	2177	6.935									
	6500	5297	1956	4.537	2029	5.220	2098	5.910	2165	6.611	2229	7.321											
	6900	5623	2067	5.335	2136	6.059	2202	6.788															
	7300	5949	2179	6.226																			
200-16	3700	2650	1166	0.999	1283	1.400	1393	1.825	1500	2.275	1605	2.755	1710	3.261	1814	3.792	1915	4.344	2014	4.918	2111	5.510	
	4100	2936	1267	1.261	1375	1.700	1476	2.157	1574	2.637	1670	3.143	1766	3.671	1860	4.227	1954	4.804	2047	5.405	2138	6.022	
	4500	3223	1369	1.571	1470	2.048	1564	2.540	1655	3.052	1744	3.586	1831	4.142	1918	4.720	2005	5.323	2091	5.945	2176	6.589	
	5000	3581	1499	2.032	1592	2.559	1679	3.097	1762	3.650	1844	4.223	1924	4.815	2003	5.426	2081	6.059	2159	6.711			
	5400	3867	1603	2.466	1691	3.033	1773	3.608	1852	4.198	1929	4.804	2003	5.424	2077	6.065	2151	6.724	2224	7.404			
	5800	4154	1709	2.963	1792	3.569	1870	4.184	1945	4.812	2017	5.449	2088	6.104	2157	6.776							
	6300	4512	1842	3.679	1920	4.337	1993	5.002	2063	5.674	2131	6.359	2198	7.055									
	6700	4799	1949	4.335	2023	5.033	2093	5.737	2160	6.450	2225	7.170											
	7100	5085	2056	5.068	2127	5.806	2194	6.551															
	7600	5443	2191	6.101																			
200-17	3800	2411	1167	0.981	1283	1.388	1392	1.816	1497	2.268	1600	2.747	1703	3.254	1804	3.786	1904	4.342	2002	4.918	2098	5.515	
	4200	2665	1265	1.227	1373	1.672	1474	2.133	1570	2.615	1665	3.120	1759	3.651	1851	4.205	1944	4.785	2035	5.384	2125	6.006	
	4700	2982	1389	1.596	1489	2.090	1582	2.595	1671	3.118	1757	3.660	1841	4.224	1925	4.807	2008	5.415	2091	6.042	2173	6.692	
	5100	3236	1490	1.945	1585	2.479	1672	3.021	1755	3.578	1836	4.152	1915	4.743	1993	5.355	2070	5.987	2147	6.638	2224	7.309	
	5600	3553	1617	2.455	1705	3.038	1788	3.631	1865	4.232	1941	4.848	2014	5.480	2086	6.127	2157	6.792	2228	7.476			
	6000	3807	1719	2.928	1803	3.552	1882	4.182	1956	4.822	2028	5.474	2097	6.135	2165	6							

200 AIR PERFORMANCE (PART 2 OF 2)

Model	CFM	OV	0.5" SP		1" SP		1.5" SP		2" SP		2.5" SP		3" SP		3.5" SP		4" SP		4.5" SP		5" SP		
			RPM	BHP	RPM	BHP	RPM	BHP	RPM	BHP	RPM	BHP	RPM	BHP	RPM	BHP	RPM	BHP	RPM	BHP	RPM	BHP	RPM
200-18	3900	2207	1172	0.975	1289	1.389	1396	1.821	1499	2.277	1600	2.759	1700	3.267	1799	3.801	1898	4.360	1994	4.939	2089	5.537	
	4300	2433	1268	1.210	1377	1.662	1477	2.129	1572	2.615	1665	3.122	1757	3.655	1848	4.211	1938	4.790	2028	5.393	2116	6.014	
	4800	2716	1389	1.560	1491	2.062	1583	2.574	1671	3.101	1756	3.646	1839	4.210	1922	4.798	2004	5.405	2085	6.034	2166	6.684	
	5200	2943	1487	1.890	1583	2.432	1671	2.981	1754	3.543	1835	4.120	1913	4.715	1990	5.328	2066	5.962	2141	6.612	2217	7.284	
	5700	3226	1611	2.371	1701	2.963	1785	3.562	1863	4.168	1938	4.788	2010	5.421	2082	6.072	2152	6.737	2222	7.423			
	6100	3452	1711	2.814	1797	3.448	1877	4.084	1951	4.729	2023	5.386	2093	6.054	2160	6.734	2227	7.430					
	6600	3735	1837	3.449	1918	4.131	1994	4.819	2065	5.512	2133	6.213	2198	6.925									
	7100	4018	1963	4.179	2040	4.913	2112	5.649	2180	6.393													
	7500	4244	2065	4.834	2139	5.610	2208	6.388															
	8000	4527	2193	5.755																			
200-19	3900	1981	1157	0.927	1275	1.339	1383	1.769	1487	2.222	1588	2.701	1688	3.206	1788	3.737	1886	4.292	1983	4.868	2078	5.465	
	4400	2235	1274	1.206	1384	1.667	1483	2.140	1577	2.631	1669	3.144	1759	3.677	1848	4.236	1937	4.817	2025	5.421	2112	6.048	
	4900	2489	1393	1.544	1496	2.054	1588	2.573	1676	3.106	1760	3.656	1842	4.224	1923	4.813	2004	5.422	2084	6.054	2163	6.705	
	5300	2692	1489	1.861	1587	2.411	1675	2.969	1758	3.537	1838	4.118	1915	4.717	1991	5.334	2066	5.967	2141	6.623	2215	7.294	
	5800	2946	1611	2.320	1703	2.921	1786	3.527	1865	4.141	1940	4.768	2012	5.405	2083	6.057	2153	6.728	2221	7.413			
	6300	3200	1733	2.856	1820	3.508	1900	4.165	1974	4.827	2045	5.496	2114	6.179	2180	6.870							
	6700	3403	1832	3.346	1915	4.037	1992	4.735	2063	5.434	2132	6.141	2198	6.860									
	7200	3657	1956	4.039	2035	4.781	2108	5.527	2177	6.279													
	7700	3911	2081	4.825	2156	5.618	2226	6.414															
	8100	4114	2182	5.530																			
200-20	4000	1833	1168	0.939	1286	1.359	1393	1.796	1494	2.254	1594	2.736	1692	3.244	1789	3.778	1886	4.337	1981	4.916	2074	5.517	
	4500	2063	1284	1.212	1394	1.682	1492	2.162	1586	2.659	1676	3.176	1764	3.715	1852	4.276	1939	4.859	2025	5.467	2111	6.096	
	4900	2246	1377	1.471	1482	1.981	1576	2.498	1664	3.029	1748	3.575	1830	4.141	1912	4.728	1992	5.334	2072	5.961	2152	6.612	
	5400	2475	1496	1.850	1594	2.409	1683	2.974	1765	3.550	1844	4.138	1921	4.741	1996	5.361	2070	6.001	2143	6.656	2216	7.332	
	5900	2704	1615	2.295	1708	2.905	1792	3.520	1871	4.142	1945	4.775	2017	5.417	2087	6.074	2156	6.747	2224	7.437			
	6400	2934	1736	2.813	1824	3.473	1904	4.137	1979	4.808	2050	5.487	2118	6.173	2184	6.871							
	6800	3117	1833	3.285	1917	3.984	1994	4.690	2067	5.400	2135	6.113	2201	6.837									
	7300	3346	1955	3.952	2035	4.701	2109	5.455	2178	6.213													
	7800	3575	2078	4.706	2154	5.506	2225	6.310															
	8200	3759	2177	5.383																			
200-21	4100	1705	1181	0.956	1299	1.386	1404	1.829	1504	2.292	1602	2.779	1698	3.291	1793	3.829	1888	4.391	1981	4.976	2073	5.581	
	4500	1871	1272	1.169	1384	1.638	1483	2.116	1577	2.611	1667	3.126	1756	3.662	1844	4.221	1931	4.804	2017	5.410	2103	6.035	
	5000	2079	1388	1.482	1493	2.001	1586	2.526	1674	3.064	1757	3.617	1839	4.187	1919	4.778	1998	5.387	2076	6.018	2155	6.673	
	5500	2287	1505	1.854	1604	2.423	1692	2.997	1775	3.581	1854	4.175	1929	4.784	2003	5.408	2076	6.050	2149	6.713	2220	7.390	
	6000	2495	1623	2.290	1716	2.908	1801	3.533	1880	4.163	1954	4.802	2025	5.451	2095	6.117	2163	6.795					
	6400	2661	1718	2.690	1808	3.347	1889	4.011	1965	4.680	2036	5.356	2105	6.041	2172	6.739							
	6900	2869	1838	3.256	1923	3.963	2001	4.678	2073	5.396	2142	6.119	2208	6.851									
	7400	3077	1959	3.905	2039	4.660	2114	5.425	2184	6.193													
	7900	3284	2080	4.638	2156	5.442	2228	6.256															
	8300	3451	2178	5.293																			
200-22	4100	1553	1173	0.930	1292	1.359	1398	1.801	1498	2.263	1596	2.748	1692	3.259	1787	3.795	1882	4.356	1975	4.938	2067	5.541	
	4600	1743	1286	1.190	1397	1.668	1496	2.156	1589	2.658	1678	3.178	1765	3.719	1851	4.282	1936	4.868	2021	5.476	2105	6.107	
	5100	1932	1400	1.502	1505	2.029	1599	2.565	1686	3.109	1768	3.669	1849	4.246	1928	4.841	2005	5.454	2083	6.089	2160	6.745	
	5500	2083	1493	1.792	1593	2.360	1683	2.934	1766	3.515	1845	4.107	1921	4.716	1995	5.339	2068	5.979	2141	6.638	2213	7.315	
	6000	2273	1610	2.209	1705	2.826	1790	3.450	1869	4.080	1944	4.716	2016	5.365	2086	6.027	2154	6.702	2222	7.396			
	6500	2462	1728	2.694	1817	3.360	1899	4.035	1975	4.712	2047	5.395	2115	6.089	2181	6.794							
	7000	2652	1846	3.252	1932	3.967	2010	4.691	2083	5.416	2151	6.149	2217	6.889									
	7500	2841	1966	3.889	2047	4.651	2122	5.423	2192	6.202													
	7900	2993	2062	4.457	2140	5.258	2212	6.070															
	8400	3182	2183	5.250																			
200-23	4100	1421	1167	0.909	1287	1.338	1393	1.779	1493	2.240	1591	2.725	1687	3.234	1782	3.768	1877	4.326	1971	4.909	2063	5.511	
	4600	1594	1278	1.161	1391	1.639	1491	2.125	1583	2.626	1673	3.146	1760	3.685	1846	4.247	1931	4.831	2016	5.439	2100	6.065	
	5100	1768	1392	1.462	1498	1.990	1592	2.524	1679	3.068	1762	3.626	1843	4.201	1922	4.794	1999	5.407	2077	6.042	2154	6.693	
	5600	1941	1506	1.818	1607	2.394	1696	2.977	1779	3.568	1858	4.170	1933	4.783	2006	5.413	2079	6.059	2150	6.720	2221	7.404	
	6100	2114	1622	2.234	1717	2.859	1803	3.493	1882	4.131	1957	4.776	2028	5.434	2097	6.101	2165	6.782					
	6500	2253	1716	2.613	1807	3.277	1889	3.950	1966	4.627	2038	5.312	2107	6.002	2173	6.704							
	7000	2426	1834	3.152	1920	3.863	1999	4.587	2073	5.313	2142	6.045	2208	6.784									
	7500	2599	1952	3.766	2034	4.525	2110	5.295	2181	6.074													
	8000	2773	2072	4.462	2149	5.267	2222	6.088															
	8500	2946	2191	5.243																			
200-24	4100	1305	1162	0.892	1282	1.321	1389	1.762	1490	2.222	1587	2.705	1684	3.214	1779	3.746	1874	4.306	1967	4.885	2060	5.489	
	4600	1464	1272	1.138	1386	1.615	1486	2.101	1579	2.602	1668	3.119	1755	3.659	1841	4.219	1927	4.801	2012	5.408	2096	6.036	
	5100	1623	1385	1.430	1492	1.957	1586	2.490	1674	3.034	1757	3.591	1838	4.165	1917	4.757	1995	5.369	2072	6.002	2149	6.655	
	5600	1783	1499	1.776	1600	2.352	1690	2.934	1773	3.524	1852	4.125	1927	4.737	2001	5.366	2073	6.010	2145	6.672	2215	7.351	
	6100	1942	1614	2.179	1710	2.805	1796	3.437	1875	4.073	1950	4.719	2022	5.375	2091	6.042	2159	6.					

222 AIR PERFORMANCE (PART 1 OF 3)

Model	CFM	OV	0.5" SP		1" SP		1.5" SP		2" SP		2.5" SP		3" SP		3.5" SP		4" SP		4.5" SP		5" SP		
			RPM	BHP	RPM	BHP	RPM	BHP	RPM	BHP	RPM	BHP	RPM	BHP	RPM	BHP	RPM	BHP	RPM	BHP	RPM	BHP	RPM
222-10	2300	4217	1034	1.043	1184	1.443	1317	1.867	1436	2.310	1544	2.771	1644	3.249	1737	3.746	1825	4.256					
	2500	4584	1096	1.263	1239	1.692	1367	2.143	1482	2.614	1589	3.102	1687	3.606	1779	4.126	1865	4.663					
	2800	5134	1193	1.656	1325	2.128	1445	2.621	1556	3.133	1659	3.662	1754	4.208	1844	4.767							
	3100	5684	1293	2.134	1415	2.648	1528	3.184	1634	3.739	1732	4.310	1825	4.895									
	3400	6234	1395	2.704	1508	3.261	1614	3.840	1714	4.435	1809	5.048											
	3600	6600	1463	3.140	1571	3.727	1673	4.334	1770	4.958	1862	5.598											
	3900	7151	1568	3.886	1668	4.513	1764	5.163	1856	5.831													
	4200	7701	1673	4.747	1767	5.418	1858	6.110															
	4500	8251	1779	5.733	1868	6.451																	
	4700	8617	1850	6.464																			
222-11	2600	3940	992	1.012	1143	1.429	1280	1.874	1405	2.342	1518	2.828	1622	3.331	1719	3.851	1809	4.386					
	3000	4546	1098	1.405	1234	1.870	1361	2.365	1478	2.883	1587	3.421	1688	3.972	1783	4.542	1873	5.126					
	3300	5000	1181	1.767	1307	2.269	1425	2.800	1537	3.355	1642	3.930	1741	4.522	1834	5.129							
	3600	5455	1266	2.195	1382	2.733	1494	3.301	1600	3.894	1701	4.505	1796	5.135									
	3900	5910	1353	2.693	1461	3.269	1565	3.872	1666	4.501	1762	5.151	1854	5.816									
	4300	6516	1471	3.477	1569	4.102	1665	4.754	1759	5.431	1849	6.129											
	4600	6970	1560	4.164	1652	4.825	1743	5.514	1831	6.227													
	4900	7425	1650	4.941	1737	5.641	1822	6.366															
	5200	7879	1740	5.812	1822	6.550																	
	5600	8485	1862	7.135																			
222-12	3000	3820	991	1.079	1132	1.515	1266	1.988	1390	2.489	1505	3.012	1612	3.554	1712	4.110	1805	4.683					
	3400	4329	1087	1.439	1213	1.916	1335	2.431	1451	2.975	1561	3.544	1664	4.132	1761	4.734	1854	5.356					
	3700	4711	1162	1.764	1278	2.272	1391	2.817	1501	3.394	1606	3.994	1706	4.616	1801	5.256							
	4100	5220	1263	2.277	1369	2.829	1472	3.414	1574	4.032	1672	4.674	1767	5.340	1858	6.024							
	4500	5730	1367	2.892	1463	3.487	1558	4.114	1652	4.772	1744	5.457	1833	6.164									
	4800	612	1445	3.426	1536	4.053	1625	4.713	1714	5.401	1801	6.116											
	5200	6621	1551	4.241	1635	4.912	1718	5.615	1800	6.344													
	5600	7130	1658	5.185	1736	5.902	1813	6.646															
	5900	7512	1739	5.980	1813	6.733																	
	6300	8021	1847	7.172																			
222-13	3300	3580	984	1.081	1115	1.522	1242	2.004	1365	2.521	1480	3.065	1589	3.630	1690	4.213	1786	4.811	1876	5.424			
	4000	4014	1073	1.406	1190	1.883	1306	2.401	1418	2.955	1527	3.536	1631	4.142	1730	4.770	1824	5.412					
	4100	4448	1164	1.798	1271	2.315	1376	2.868	1479	3.456	1580	4.075	1679	4.721	1773	5.387	1864	6.072					
	4500	4882	1258	2.267	1355	2.823	1451	3.413	1546	4.036	1640	4.690	1732	5.372	1822	6.078							
	4900	5316	1353	2.819	1442	3.415	1531	4.043	1619	4.702	1706	5.391	1792	6.109	1877	6.850							
	5300	5750	1449	3.460	1532	4.097	1614	4.764	1696	5.460	1777	6.185	1858	6.938									
	5700	6184	1546	4.200	1623	4.878	1700	5.586	1777	6.319	1852	7.080											
	6100	6618	1644	5.044	1717	5.766	1789	6.513	1860	7.283													
	6500	7052	1742	6.000	1811	6.765																	
	6900	7486	1841	7.077																			
222-14	3500	3274	970	1.039	1095	1.477	1217	1.959	1337	2.478	1452	3.030	1561	3.606	1664	4.204	1761	4.816	1854	5.445			
	4000	3742	1074	1.407	1185	1.890	1293	2.412	1400	2.971	1505	3.563	1607	4.184	1704	4.827	1799	5.493					
	4400	4116	1160	1.766	1261	2.287	1360	2.842	1459	3.433	1555	4.056	1650	4.709	1743	5.387	1834	6.091					
	4800	4490	1248	2.190	1341	2.748	1432	3.339	1523	3.961	1613	4.616	1701	5.300	1788	6.012	1874	6.748					
	5200	4864	1337	2.682	1423	3.279	1508	3.907	1592	4.563	1675	5.249	1758	5.966	1839	6.706							
	5700	5332	1449	3.404	1528	4.051	1606	4.724	1683	5.425	1760	6.152	1836	6.909									
	6100	5706	1540	4.073	1614	4.762	1688	5.473	1760	6.210	1831	6.971											
	6500	6080	1631	4.830	1701	5.559	1770	6.310	1838	7.084													
	7000	6548	1746	5.909	1812	6.691	1876	7.491															
	7400	6922	1838	6.886																			
222-15	3700	3015	967	1.022	1087	1.463	1205	1.945	1320	2.468	1432	3.025	1540	3.611	1643	4.220	1742	4.849	1835	5.494			
	4200	3422	1067	1.359	1174	1.843	1278	2.364	1381	2.922	1483	3.515	1582	4.140	1679	4.791	1773	5.465	1864	6.158			
	4600	3748	1148	1.683	1247	2.204	1343	2.758	1438	3.347	1531	3.968	1624	4.620	1715	5.300	1804	6.007					
	5100	4156	1252	2.166	1342	2.734	1430	3.331	1516	3.959	1601	4.616	1686	5.305	1769	6.020	1852	6.763					
	5500	4482	1336	2.619	1421	3.227	1502	3.859	1583	4.519	1662	5.208	1741	5.924	1819	6.669							
	6000	4889	1443	3.276	1521	3.934	1597	4.612	1671	5.315	1744	6.045	1817	6.800									
	6500	5297	1550	4.043	1623	4.750	1693	5.476	1763	6.226	1831	6.996											
	6900	5623	1636	4.743	1706	5.490	1773	6.255	1838	7.040													
	7400	6030	1745	5.732	1810	6.529	1873	7.343															
	7800	6356	1833	6.620																			
222-16	3900	2793	973	1.023	1089	1.471	1201	1.957	1312	2.483	1420	3.045	1526	3.638	1628	4.258	1726	4.900	1820	5.560			
	4400	3151	1069	1.338	1173	1.830	1274	2.354	1373	2.914	1471	3.509	1567	4.137	1662	4.792	1755	5.476	1845	6.179			
	4900	3509	1166	1.721	1262	2.259	1354	2.825	1443	3.421	1532	4.051	1620	4.711	1707	5.400	1793	6.118					
	5300	3796	1246	2.082	1336	2.658	1421	3.259	1505	3.887	1588	4.544	1670	5.231	1751	5.945	1832	6.689					
	5800	4154	1347	2.607	1430	3.232	1509	3.877	1587	4.546	1663	5.241	1738	5.965	1813	6.713							
	6300	4512	1448	3.220	1526	3.894	1600	4.587	1673	5.299	1743	6.036	1813	6.794									
	6800	4870	1551	3.930	1624	4.655	1694	5.394	1761	6.152	1828	6.930											
	7200	5157	1634	4.573	1703	5.339	1770	6.117	1834	6.912													
	7700	5515	1738	5.478	1803	6.293	1866	7.120															
	8200	5873	1842	6.501																			

Performance certified is for installation Type A: Free inlet, Free outlet. Power rating (BHP) does not include transmission losses. Performance ratings do not include the effects of appurtenances (accessories).

222 AIR PERFORMANCE (PART 2 OF 3)

Model	CFM	OV	0.5" SP		1" SP		1.5" SP		2" SP		2.5" SP		3" SP		3.5" SP		4" SP		4.5" SP		5" SP		
			RPM	BHP	RPM	BHP	RPM	BHP	RPM	BHP	RPM	BHP	RPM	BHP	RPM	BHP	RPM	BHP	RPM	BHP	RPM	BHP	RPM
222-17	4000	2538	966	0.985	1081	1.434	1191	1.919	1299	2.443	1406	3.004	1511	3.598	1612	4.221	1710	4.866	1804	5.532			
	4500	2855	1058	1.274	1163	1.767	1262	2.291	1359	2.848	1455	3.439	1551	4.065	1645	4.720	1737	5.403	1826	6.110			
	5000	3172	1152	1.624	1248	2.163	1340	2.727	1428	3.322	1516	3.947	1602	4.603	1688	5.289	1773	6.003	1857	6.744			
	5500	3489	1248	2.039	1338	2.626	1422	3.234	1504	3.868	1584	4.528	1663	5.217	1742	5.934	1821	6.680					
	6000	3807	1345	2.527	1429	3.163	1507	3.817	1584	4.492	1658	5.192	1732	5.916	1804	6.667	1877	7.442					
	6500	4124	1443	3.094	1522	3.781	1596	4.482	1667	5.200	1737	5.939	1805	6.703	1873	7.487							
	7000	4441	1542	3.748	1616	4.485	1686	5.232	1753	5.997	1819	6.780											
	7500	4758	1641	4.494	1711	5.280	1778	6.079	1842	6.889													
	8000	5075	1741	5.339	1808	6.177	1871	7.023															
8500	5393	1842	6.290																				
222-18	4200	2377	981	1.013	1093	1.474	1199	1.967	1303	2.497	1406	3.064	1507	3.665	1606	4.297	1702	4.953	1796	5.633			
	4700	2660	1071	1.293	1174	1.800	1271	2.332	1365	2.896	1458	3.494	1549	4.124	1640	4.785	1730	5.476	1818	6.190			
	5200	2943	1163	1.630	1259	2.183	1348	2.757	1434	3.359	1519	3.990	1603	4.649	1686	5.341	1768	6.060	1850	6.805			
	5700	3226	1256	2.026	1345	2.628	1429	3.247	1509	3.889	1587	4.556	1664	5.249	1741	5.970	1817	6.718					
	6200	3508	1350	2.488	1434	3.140	1513	3.806	1588	4.489	1661	5.195	1732	5.925	1803	6.679	1874	7.458					
	6700	3791	1445	3.024	1525	3.725	1599	4.438	1669	5.166	1738	5.914	1805	6.681	1872	7.472							
	7200	4074	1541	3.635	1616	4.388	1686	5.149	1754	5.923	1819	6.715											
	7700	4357	1637	4.333	1709	5.135	1776	5.945	1840	6.767													
	8200	4640	1734	5.117	1802	5.971	1866	6.833															
8800	4980	1851	6.187																				
222-19	4300	2184	982	0.999	1094	1.465	1198	1.962	1300	2.493	1401	3.061	1500	3.662	1598	4.296	1694	4.956	1786	5.639	1876	6.343	
	4800	2438	1070	1.266	1173	1.778	1269	2.314	1362	2.879	1453	3.477	1543	4.108	1633	4.770	1721	5.460	1808	6.177			
	5300	2692	1159	1.583	1256	2.142	1345	2.721	1430	3.325	1514	3.955	1596	4.616	1678	5.306	1760	6.024	1840	6.770			
	5800	2946	1250	1.955	1341	2.564	1424	3.187	1504	3.831	1581	4.499	1658	5.192	1733	5.912	1808	6.660					
	6400	3250	1360	2.481	1445	3.150	1523	3.830	1597	4.525	1669	5.241	1739	5.978	1808	6.740	1877	7.524					
	6900	3504	1453	2.994	1533	3.712	1607	4.440	1677	5.181	1745	5.940	1811	6.716	1876	7.513							
	7400	3758	1546	3.577	1622	4.347	1693	5.124	1760	5.912	1825	6.714											
	7900	4012	1640	4.238	1713	5.058	1780	5.885	1844	6.721													
	8500	4317	1753	5.140	1822	6.022																	
9000	4571	1848	5.989																				
222-20	4400	2017	986	0.995	1097	1.468	1200	1.967	1301	2.502	1399	3.072	1497	3.675	1593	4.311	1687	4.974	1779	5.662	1869	6.372	
	4900	2246	1072	1.252	1176	1.771	1271	2.311	1362	2.879	1452	3.479	1540	4.110	1628	4.773	1715	5.466	1801	6.185			
	5400	2475	1160	1.555	1257	2.122	1346	2.706	1430	3.312	1513	3.945	1594	4.608	1675	5.299	1755	6.018	1834	6.766			
	6000	2750	1266	1.986	1357	2.613	1440	3.252	1518	3.908	1594	4.587	1668	5.289	1741	6.015	1814	6.770					
	6500	2979	1356	2.408	1442	3.085	1521	3.771	1595	4.471	1666	5.190	1736	5.930	1804	6.692	1872	7.477					
	7000	3209	1446	2.892	1528	3.620	1603	4.354	1674	5.101	1742	5.861	1807	6.641	1872	7.440							
	7600	3484	1556	3.562	1633	4.349	1704	5.143	1771	5.946	1835	6.761											
	8100	3713	1648	4.199	1722	5.037	1790	5.881	1854	6.731													
	8600	3942	1741	4.912	1811	5.800	1876	6.695															
9200	4217	1852	5.877																				
222-21	4400	1829	975	0.954	1088	1.424	1191	1.922	1292	2.452	1390	3.019	1488	3.619	1585	4.253	1679	4.913	1771	5.601	1861	6.308	
	5000	2079	1077	1.248	1180	1.775	1275	2.321	1365	2.894	1453	3.496	1540	4.129	1627	4.795	1713	5.489	1797	6.210			
	5500	2287	1163	1.541	1260	2.116	1349	2.706	1433	3.318	1514	3.955	1594	4.618	1674	5.312	1753	6.033	1831	6.780			
	6100	2536	1256	1.957	1359	2.592	1442	3.237	1520	3.899	1595	4.581	1669	5.287	1741	6.016	1813	6.772					
	6600	2744	1355	2.362	1443	3.047	1522	3.740	1596	4.447	1667	5.171	1736	5.914	1804	6.677	1871	7.465					
	7200	2993	1462	2.925	1544	3.671	1619	4.423	1690	5.186	1757	5.960	1822	6.753									
	7700	3201	1552	3.464	1631	4.261	1702	5.062	1770	5.873	1834	6.694											
	8200	3409	1642	4.071	1717	4.917	1787	5.770	1851	6.627													
	8800	3659	1752	4.895	1823	5.802																	
9300	3866	1843	5.665																				
222-22	4500	1705	983	0.964	1095	1.442	1197	1.945	1296	2.479	1393	3.049	1489	3.653	1583	4.288	1677	4.953	1768	5.644	1857	6.359	
	5000	1894	1066	1.200	1171	1.726	1266	2.270	1357	2.839	1445	3.439	1532	4.070	1619	4.732	1705	5.424	1790	6.143	1873	6.888	
	5600	2121	1168	1.539	1266	2.123	1354	2.720	1438	3.337	1518	3.978	1597	4.646	1675	5.340	1753	6.064	1830	6.816			
	6100	2311	1254	1.871	1347	2.505	1431	3.149	1510	3.808	1585	4.488	1659	5.189	1731	5.917	1803	6.668	1875	7.446			
	6700	2538	1358	2.337	1446	3.031	1525	3.732	1599	4.445	1670	5.175	1739	5.922	1806	6.690	1872	7.479					
	7200	2727	1446	2.785	1530	3.529	1606	4.280	1677	5.041	1744	5.813	1809	6.602	1873	7.407							
	7800	2955	1552	3.402	1631	4.206	1704	5.016	1771	5.834	1836	6.662											
	8300	3144	1641	3.987	1717	4.840	1787	5.702	1852	6.567													
	8900	3371	1748	4.779	1820	5.694																	
9400	3561	1838	5.519																				
222-23	4500	1560	976	0.936	1089	1.413	1191	1.914	1290	2.447	1387	3.014	1483	3.616	1578	4.250	1671	4.915	1762	5.603	1851	6.316	
	5100	1768	1075	1.212	1180	1.746	1274	2.297	1363	2.873	1450	3.477	1536	4.112	1621	4.777	1705	5.470	1789	6.195	1871	6.942	
	5700	1976	1175	1.545	1273	2.138	1362	2.743	1444	3.367	1524	4.013	1602	4.684	1679	5.384	1755	6.110	1831	6.863			
	6200	2149	1260	1.872	1354	2.515	1438	3.167	1516	3.834	1591	4.517	1664	5.226	1735	5.956	1806	6.711	1876	7.490			
	6800	2357	1363	2.328	1451	3.030	1531	3.741	1605	4.462	1676	5.198	1744	5.950	1810	6.723	1876	7.516					
	7300	2530	1450	2.766	1534	3.518	1611	4.278	1682	5.046	1749	5.826	1814	6.619									
	7900	2738	1554	3.366	1635	4.179	1708	5.000	1776	5.825	1840	6.661											
	8400	2911	1642	3.936	1719	4.796	1789	5.666	1855	6.542													

222 AIR PERFORMANCE (PART 3 OF 3)

Model	CFM	OV	0.5" SP		1" SP		1.5" SP		2" SP		2.5" SP		3" SP		3.5" SP		4" SP		4.5" SP		5" SP	
			RPM	BHP	RPM	BHP	RPM	BHP	RPM	BHP	RPM	BHP	RPM	BHP	RPM	BHP	RPM	BHP	RPM	BHP	RPM	BHP
222-24	4600	1464	986	0.955	1099	1.440	1200	1.948	1297	2.486	1392	3.057	1486	3.663	1579	4.301	1671	4.968	1761	5.661	1850	6.380
	5200	1655	1084	1.229	1189	1.773	1282	2.331	1371	2.912	1457	3.522	1541	4.159	1625	4.828	1707	5.525	1790	6.253	1871	7.005
	5700	1814	1167	1.501	1267	2.093	1355	2.697	1438	3.319	1518	3.963	1596	4.632	1673	5.329	1749	6.053	1825	6.806		
	6300	2005	1268	1.882	1362	2.535	1446	3.196	1523	3.869	1598	4.560	1670	5.272	1741	6.008	1811	6.766				
	6800	2165	1353	2.252	1442	2.954	1523	3.663	1597	4.383	1668	5.116	1736	5.867	1803	6.638	1869	7.430				
	7400	2355	1456	2.763	1540	3.524	1617	4.293	1688	5.070	1756	5.856	1820	6.657								
	8000	2546	1559	3.353	1640	4.174	1713	5.002	1782	5.838	1846	6.681										
	8500	2706	1646	3.911	1724	4.780	1794	5.660	1860	6.544												
	9100	2897	1752	4.665	1825	5.591																
9600	3056	1840	5.368																			
222-25	4600	1349	981	0.936	1094	1.420	1196	1.927	1293	2.464	1388	3.034	1482	3.637	1576	4.274	1667	4.940	1758	5.635	1846	6.352
	5200	1525	1078	1.202	1184	1.745	1278	2.302	1366	2.882	1452	3.490	1536	4.125	1620	4.793	1703	5.490	1786	6.215	1867	6.966
	5800	1701	1177	1.522	1276	2.124	1365	2.735	1447	3.365	1526	4.015	1603	4.690	1679	5.391	1754	6.118	1829	6.873		
	6300	1848	1260	1.833	1355	2.485	1439	3.145	1518	3.818	1592	4.508	1665	5.218	1735	5.951	1805	6.708	1875	7.490		
	6900	2024	1361	2.268	1451	2.979	1531	3.698	1606	4.425	1676	5.165	1744	5.924	1810	6.701	1875	7.496				
	7500	2200	1463	2.773	1548	3.544	1625	4.322	1696	5.108	1764	5.903	1828	6.710								
	8000	2347	1549	3.255	1631	4.073	1705	4.901	1773	5.736	1838	6.578										
	8600	2523	1653	3.908	1730	4.784	1801	5.672	1867	6.567												
	9100	2670	1740	4.520	1814	5.444																
9700	2846	1845	5.344																			
222-26	4700	1275	993	0.960	1105	1.454	1206	1.967	1301	2.509	1395	3.084	1487	3.692	1579	4.332	1669	5.004	1758	5.700	1846	6.424
	5200	1410	1073	1.179	1180	1.721	1274	2.278	1363	2.857	1449	3.463	1533	4.098	1617	4.765	1700	5.459	1782	6.183	1864	6.934
	5800	1573	1171	1.490	1271	2.091	1360	2.703	1443	3.331	1522	3.980	1599	4.653	1675	5.352	1750	6.080	1825	6.832		
	6400	1736	1270	1.859	1365	2.520	1450	3.190	1527	3.871	1601	4.567	1673	5.283	1743	6.023	1812	6.784				
	6900	1871	1354	2.215	1445	2.925	1526	3.644	1600	4.371	1671	5.111	1739	5.866	1805	6.642	1870	7.437				
	7500	2034	1455	2.707	1541	3.476	1619	4.254	1690	5.037	1758	5.831	1822	6.638								
	8100	2197	1558	3.274	1639	4.100	1714	4.939	1782	5.781	1847	6.632										
	8600	2333	1643	3.809	1721	4.682	1793	5.571	1860	6.463												
	9200	2495	1747	4.530	1821	5.460																
9800	2658	1851	5.346																			

Performance certified is for installation Type A: Free inlet, Free outlet. Power rating (BHP) does not include transmission losses. Performance ratings do not include the effects of appurtenances (accessories).

245 AIR PERFORMANCE (PART 1 OF 3)

Model	CFM	OV	0.5" SP		1" SP		1.5" SP		2" SP		2.5" SP		3" SP		3.5" SP		4" SP		4.5" SP		5" SP		
			RPM	BHP	RPM	BHP	RPM	BHP	RPM	BHP	RPM	BHP	RPM	BHP	RPM	BHP	RPM	BHP	RPM	BHP	RPM	BHP	RPM
245-13	4100	4448	998	1.810	1113	2.395	1223	3.025	1328	3.689	1427	4.381	1520	5.096	1607	5.831	1690	6.585					
	4500	4882	1074	2.268	1179	2.897	1281	3.569	1380	4.277	1474	5.013	1564	5.776	1649	6.558	1730	7.357					
	4900	5316	1151	2.807	1248	3.480	1343	4.194	1436	4.945	1525	5.725	1611	6.531	1694	7.360							
	5300	5750	1230	3.434	1320	4.150	1408	4.908	1495	5.700	1580	6.524	1662	7.375	1741	8.247							
	5700	6184	1310	4.154	1393	4.916	1476	5.716	1558	6.551	1638	7.419	1716	8.312									
	6100	6618	1390	4.977	1469	5.784	1546	6.628	1623	7.504	1699	8.414											
	6500	7052	1472	5.909	1545	6.761	1618	7.649	1691	8.568													
	6900	7486	1553	6.954	1623	7.853	1692	8.787															
	7300	7920	1636	8.125	1701	9.072																	
	7700	8354	1718	9.424																			
245-14	4500	4209	993	1.822	1099	2.413	1204	3.053	1305	3.734	1403	4.450	1496	5.192	1585	5.959	1669	6.746	1749	7.552			
	4900	4584	1063	2.239	1161	2.870	1257	3.547	1352	4.265	1445	5.018	1534	5.801	1619	6.611	1702	7.441					
	5300	4958	1134	2.722	1225	3.394	1315	4.108	1403	4.863	1490	5.653	1575	6.476	1657	7.326	1737	8.196					
	5800	5426	1225	3.427	1308	4.151	1390	4.913	1472	5.715	1553	6.551	1632	7.420	1710	8.317							
	6200	5800	1298	4.080	1376	4.845	1453	5.648	1530	6.485	1606	7.360	1681	8.266									
	6700	6267	1390	5.015	1463	5.831	1535	6.685	1606	7.572	1677	8.490	1747	9.442									
	7100	6642	1465	5.863	1533	6.725	1601	7.617	1669	8.542	1736	9.500											
	7600	7109	1559	7.060	1623	7.975	1686	8.919	1750	9.895													
	8000	7484	1634	8.133	1695	9.090																	
	8500	7951	1729	9.626																			
245-15	4800	3911	984	1.776	1085	2.367	1184	3.007	1282	3.691	1377	4.415	1470	5.171	1558	5.954	1644	6.763	1725	7.591			
	5300	4319	1066	2.254	1158	2.893	1249	3.576	1338	4.301	1426	5.066	1513	5.865	1597	6.695	1678	7.551					
	5700	4645	1133	2.700	1219	3.378	1303	4.097	1387	4.856	1470	5.653	1551	6.485	1632	7.348	1710	8.240					
	6200	5052	1218	3.344	1297	4.072	1375	4.836	1452	5.638	1529	6.476	1605	7.350	1680	8.253							
	6700	5460	1303	4.092	1377	4.870	1450	5.681	1522	6.527	1593	7.408	1664	8.321	1734	9.267							
	7200	5867	1390	4.952	1459	5.781	1527	6.641	1594	7.533	1660	8.456	1727	9.413									
	7600	6193	1460	5.726	1525	6.596	1590	7.494	1653	8.424	1717	9.384											
	8100	6600	1547	6.809	1609	7.731	1670	8.679	1730	9.655													
	8600	7008	1635	8.026	1693	8.999																	
	9100	7415	1724	9.388																			
245-16	5100	3653	985	1.765	1082	2.363	1176	3.006	1270	3.694	1362	4.423	1452	5.191	1539	5.988	1624	6.814	1705	7.662			
	5600	4011	1064	2.207	1152	2.851	1239	3.536	1324	4.263	1409	5.029	1493	5.834	1575	6.670	1655	7.538	1733	8.431			
	6100	4369	1143	2.726	1225	3.418	1305	4.147	1384	4.914	1462	5.718	1540	6.559	1617	7.434	1692	8.338					
	6600	4727	1223	3.328	1300	4.069	1374	4.843	1448	5.651	1521	6.495	1593	7.373	1665	8.284	1736	9.229					
	7100	5085	1305	4.020	1376	4.812	1446	5.632	1515	6.482	1583	7.368	1650	8.283	1717	9.233							
	7600	5443	1387	4.810	1454	5.651	1519	6.518	1584	7.415	1648	8.340	1711	9.298									
	8100	5801	1469	5.704	1533	6.595	1594	7.511	1655	8.453	1715	9.422											
	8600	6159	1552	6.708	1612	7.649	1671	8.616	1728	9.603													
	9100	6517	1635	7.828	1692	8.823	1748	9.837															
	9600	6875	1719	9.073																			
245-17	5300	3362	979	1.705	1074	2.306	1166	2.949	1256	3.635	1346	4.365	1434	5.131	1520	5.934	1604	6.766	1685	7.624			
	5800	3680	1054	2.109	1142	2.757	1226	3.441	1309	4.164	1392	4.927	1473	5.728	1554	6.566	1633	7.436	1711	8.333			
	6300	3997	1130	2.580	1211	3.275	1290	4.003	1367	4.765	1444	5.564	1519	6.401	1594	7.272	1669	8.177	1742	9.110			
	6900	4377	1222	3.241	1298	3.995	1370	4.776	1441	5.588	1512	6.433	1581	7.312	1651	8.226	1719	9.170					
	7400	4695	1300	3.879	1371	4.682	1439	5.509	1506	6.364	1572	7.250	1637	8.167	1702	9.116							
	7900	5012	1378	4.602	1445	5.544	1510	6.328	1573	7.228	1635	8.157	1697	9.113									
	8500	5393	1473	5.590	1536	6.502	1596	7.435	1656	8.390	1714	9.370											
	9000	5710	1552	6.519	1612	7.482	1670	8.465	1726	9.466													
	9500	6027	1631	7.552	1689	8.567	1744	9.596															
	10100	6408	1727	8.936																			
245-18	5500	3112	979	1.674	1073	2.282	1162	2.928	1250	3.616	1337	4.346	1422	5.116	1507	5.923	1590	6.761	1670	7.627	1749	8.518	
	6000	3395	1051	2.050	1138	2.705	1221	3.393	1302	4.119	1382	4.881	1462	5.683	1541	6.521	1618	7.394	1695	8.295			
	6600	3735	1139	2.582	1220	3.294	1296	4.034	1371	4.806	1444	5.613	1517	6.455	1589	7.331	1661	8.241	1732	9.183			
	7100	4018	1213	3.096	1289	3.857	1361	4.642	1431	5.455	1500	6.300	1568	7.177	1636	8.088	1703	9.028					
	7700	4357	1303	3.806	1374	4.626	1442	5.467	1507	6.333	1571	7.225	1634	8.148	1697	9.099							
	8200	4640	1378	4.480	1446	5.351	1510	6.238	1572	7.150	1633	8.085	1693	9.047									
	8800	4980	1469	5.397	1533	6.328	1593	7.274	1652	8.241	1710	9.228											
	9300	5263	1545	6.255	1606	7.238	1664	8.233	1720	9.246													
	9900	5602	1637	7.409	1695	8.451	1750	9.504															
	10400	5885	1714	8.476																			
245-19	5700	2895	984	1.664	1076	2.284	1164	2.937	1249	3.629	1333	4.361	1417	5.134	1499	5.945	1580	6.788	1660	7.663	1737	8.564	
	6200	3149	1054	2.021	1141	2.687	1222	3.382	1301	4.112	1379	4.878	1456	5.681	1533	6.522	1609	7.397	1684	8.303			
	6800	3454	1139	2.521	1220	3.245	1296	3.993	1369	4.771	1441	5.581	1512	6.423	1582	7.302	1652	8.211	1722	9.154			
	7400	3758	1225	3.106	1301	3.889	1372	4.692	1440	5.519	1507	6.376	1573	7.262	1638	8.178	1703	9.129					
	7900	4012	1298	3.664	1369	4.497	1437	5.347	1502	6.218	1565	7.115	1627	8.038	1689	8.992							
	8500	4317	1385	4.424	1453	5.317	1517	6.224	1578	7.151	1638	8.097	1697	9.071									
	9100	4622	1473	5.290	1537	6.243	1598	7.210	1656	8.190	1713	9.192											
	9600	4876	1547	6.097	1609	7.103	1667	8.116	1723	9.147													
	10200	5180	1636	7.178	1694	8.243																	
	10800	5485	1725	8.382																			

Performance certified is for installation Type A: Free inlet, Free outlet. Power rating (BHP) does not include transmission losses. Performance ratings do not include the effects of appurtenances (accessories).

245 AIR PERFORMANCE (PART 2 OF 3)

Model	CFM	OV	0.5" SP		1" SP		1.5" SP		2" SP		2.5" SP		3" SP		3.5" SP		4" SP		4.5" SP		5" SP		
			RPM	BHP	RPM	BHP	RPM	BHP	RPM	BHP	RPM	BHP	RPM	BHP	RPM	BHP	RPM	BHP	RPM	BHP	RPM	BHP	RPM
245-20	5800	2659	979	1.608	1071	2.232	1158	2.886	1242	3.577	1325	4.309	1408	5.079	1489	5.888	1570	6.733	1648	7.606	1726	8.509	
	6400	2934	1060	2.015	1147	2.695	1227	3.400	1305	4.136	1381	4.908	1456	5.716	1531	6.560	1605	7.439	1678	8.349			
	7000	3209	1143	2.492	1224	3.231	1299	3.989	1371	4.774	1442	5.591	1511	6.437	1580	7.318	1649	8.232	1717	9.180			
	7600	3484	1227	3.048	1303	3.846	1374	4.660	1442	5.496	1508	6.359	1572	7.251	1636	8.170	1700	9.123					
	8200	3759	1312	3.688	1384	4.546	1451	5.418	1515	6.308	1577	7.220	1637	8.158	1697	9.122							
	8700	3988	1383	4.291	1451	5.199	1516	6.119	1577	7.056	1636	8.012	1694	8.989									
	9300	4263	1468	5.104	1534	6.073	1595	7.053	1653	8.044	1710	9.055											
	9900	4538	1554	6.019	1617	7.050	1675	8.089	1731	9.139													
	10500	4813	1641	7.047	1700	8.139																	
	11100	5088	1728	8.190																			
245-21	6000	2495	990	1.631	1082	2.269	1167	2.935	1249	3.635	1330	4.372	1410	5.149	1489	5.962	1567	6.813	1645	7.696	1720	8.607	
	6600	2744	1070	2.026	1156	2.722	1235	3.439	1311	4.186	1386	4.964	1459	5.778	1532	6.626	1604	7.510	1675	8.426	1746	9.374	
	7100	2952	1137	2.406	1219	3.151	1295	3.914	1366	4.701	1436	5.517	1505	6.365	1573	7.244	1641	8.156	1708	9.100			
	7700	3201	1219	2.928	1296	3.733	1368	4.551	1436	5.390	1501	6.255	1565	7.144	1629	8.064	1692	9.013					
	8300	3451	1301	3.528	1375	4.393	1443	5.269	1507	6.163	1569	7.076	1630	8.014	1689	8.977	1748	9.967					
	8900	3700	1385	4.212	1454	5.137	1519	6.072	1580	7.020	1639	7.987	1697	8.973									
	9500	3950	1468	4.985	1535	5.972	1597	6.967	1655	7.972	1712	8.991											
	10100	4199	1553	5.854	1616	6.902	1675	7.956	1731	9.019													
	10700	4449	1637	6.825	1698	7.933																	
	11300	4698	1722	7.904																			
245-22	6100	2311	989	1.606	1082	2.250	1167	2.921	1248	3.622	1328	4.362	1406	5.139	1485	5.955	1562	6.805	1639	7.689	1714	8.603	
	6700	2538	1068	1.984	1155	2.687	1234	3.410	1310	4.159	1384	4.939	1456	5.754	1528	6.603	1599	7.486	1670	8.403	1740	9.351	
	7300	2765	1147	2.424	1230	3.186	1305	3.964	1376	4.764	1444	5.589	1512	6.443	1578	7.331	1644	8.249	1710	9.198			
	7900	2993	1228	2.932	1306	3.754	1377	4.589	1444	5.442	1509	6.316	1572	7.214	1634	8.141	1696	9.098					
	8500	3220	1309	3.514	1383	4.396	1451	5.289	1515	6.197	1576	7.121	1636	8.068	1695	9.041							
	9100	3447	1390	4.174	1461	5.117	1526	6.068	1587	7.032	1646	8.012	1703	9.010									
	9700	3675	1472	4.918	1540	5.924	1602	6.936	1661	7.956	1717	8.990											
	10300	3902	1555	5.753	1620	6.819	1679	7.891	1736	8.970													
	10900	4129	1638	6.684	1700	7.810																	
	11500	4356	1721	7.716																			
245-23	6200	2149	991	1.593	1084	2.245	1169	2.920	1249	3.626	1328	4.367	1406	5.146	1483	5.963	1559	6.816	1635	7.702	1709	8.618	
	6800	2357	1069	1.957	1156	2.669	1236	3.397	1311	4.150	1384	4.934	1455	5.751	1526	6.601	1597	7.485	1667	8.403	1736	9.353	
	7400	2565	1147	2.382	1230	3.152	1305	3.936	1376	4.741	1444	5.570	1511	6.428	1577	7.315	1642	8.236	1707	9.185			
	8000	2773	1226	2.870	1305	3.700	1376	4.542	1444	5.399	1508	6.277	1571	7.180	1633	8.110	1694	9.067					
	8600	2981	1305	3.426	1381	4.318	1449	5.218	1513	6.130	1575	7.061	1634	8.011	1693	8.984							
	9200	3189	1386	4.058	1457	5.010	1523	5.969	1585	6.938	1644	7.923	1700	8.924									
	9900	3431	1480	4.895	1548	5.918	1611	6.948	1670	7.985	1726	9.035											
	10500	3639	1561	5.705	1626	6.789	1687	7.879	1743	8.975													
	11100	3847	1643	6.606	1705	7.750																	
	11700	4055	1725	7.604																			
245-24	6200	1974	982	1.534	1076	2.185	1161	2.858	1242	3.561	1321	4.300	1399	5.075	1476	5.887	1552	6.738	1628	7.619	1703	8.535	
	6900	2196	1071	1.944	1159	2.664	1238	3.399	1313	4.158	1385	4.945	1456	5.764	1526	6.617	1596	7.503	1665	8.422	1734	9.376	
	7500	2387	1148	2.356	1232	3.135	1307	3.927	1378	4.737	1446	5.570	1512	6.432	1577	7.323	1642	8.244	1706	9.197			
	8100	2578	1226	2.828	1306	3.668	1378	4.517	1445	5.382	1509	6.264	1572	7.171	1633	8.104	1693	9.063					
	8700	2769	1305	3.367	1381	4.267	1450	5.176	1514	6.095	1575	7.030	1635	7.985	1693	8.964	1750	9.964					
	9400	2992	1397	4.085	1469	5.056	1535	6.033	1596	7.020	1655	8.021	1711	9.035									
	10000	3183	1477	4.784	1546	5.815	1609	6.852	1668	7.898	1725	8.953											
	10600	3374	1557	5.564	1623	6.655	1684	7.752	1741	8.857													
	11200	3565	1637	6.430	1701	7.579																	
	11900	3788	1732	7.557																			
245-25	6300	1848	987	1.539	1081	2.199	1166	2.878	1246	3.586	1324	4.328	1400	5.107	1477	5.924	1552	6.775	1627	7.662	1701	8.577	
	6900	2024	1062	1.880	1152	2.598	1232	3.331	1307	4.088	1379	4.872	1450	5.688	1520	6.538	1590	7.421	1659	8.339	1728	9.287	
	7600	2229	1151	2.344	1235	3.133	1311	3.932	1381	4.749	1449	5.587	1515	6.453	1579	7.348	1643	8.271	1706	9.225			
	8200	2406	1228	2.806	1309	3.654	1381	4.512	1448	5.383	1512	6.271	1574	7.184	1635	8.119	1695	9.082					
	8800	2582	1306	3.330	1383	4.240	1452	5.155	1517	6.084	1578	7.026	1637	7.986	1695	8.968							
	9500	2787	1397	4.029	1470	5.008	1536	5.994	1598	6.988	1657	7.994	1713	9.017									
	10100	2963	1476	4.708	1546	5.745	1610	6.792	1669	7.847	1726	8.908											
	10700	3139	1555	5.464	1622	6.562	1684	7.669	1741	8.782													
	11400	3344	1648	6.452	1712	7.617																	
	12000	3520	1728	7.394																			
245-26	6400	1736	993	1.550	1087	2.219	1171	2.905	1251	3.620	1328	4.366	1403	5.148	1478	5.967	1553	6.823	1627	7.710	1700	8.631	
	7000	1899	1068	1.886	1157	2.614	1237	3.355	1311	4.118	1383	4.907	1453	5.729	1523	6.582	1591	7.467	1660	8.387	1728	9.339	
	7600	2061	1143	2.273	1228	3.061	1304	3.859	1375	4.674	1443	5.512	1509	6.373	1573	7.265	1637	8.186	1701	9.138			
	8300	2251	1232	2.797	1313	3.655	1385	4.521	1452	5.399	1516	6.295	1578	7.213	1638	8.153	1698	9.120					
	8900	2414	1309	3.312	1386	4.229	1456	5.156	1520	6.090	1582	7.040	1640	8.005	1698	8.993							
	9600	2604	1399	3.997	1473	4.983	1539	5.979	1601	6.982	1660	7.997	1716	9.023									
	10200	2766	1477	4.660	1548	5.705	1612	6.761	1672	7.823	1728	8.894											
	10800	2929	1556	5.399	1623	6.502	1685	7.619	1743	8.742													
	11500	3119	1648	6.363																			

245 AIR PERFORMANCE (PART 3 OF 3)

Model	CFM	OV	0.5" SP		1" SP		1.5" SP		2" SP		2.5" SP		3" SP		3.5" SP		4" SP		4.5" SP		5" SP	
			RPM	BHP	RPM	BHP	RPM	BHP	RPM	BHP	RPM	BHP	RPM	BHP	RPM	BHP	RPM	BHP	RPM	BHP	RPM	BHP
245-27	6400	1610	988	1.515	1083	2.183	1167	2.868	1247	3.581	1324	4.326	1400	5.107	1475	5.924	1549	6.776	1623	7.663	1696	8.583
	7100	1786	1074	1.899	1164	2.637	1243	3.386	1317	4.156	1388	4.951	1458	5.777	1526	6.634	1594	7.524	1662	8.446	1729	9.400
	7700	1937	1149	2.283	1234	3.080	1310	3.887	1381	4.709	1448	5.553	1513	6.420	1577	7.316	1641	8.241	1704	9.198		
	8300	2087	1224	2.721	1306	3.578	1379	4.444	1447	5.321	1511	6.215	1573	7.130	1633	8.070	1693	9.034				
	9000	2264	1313	3.308	1391	4.234	1461	5.169	1525	6.113	1586	7.069	1645	8.044	1702	9.037						
	9600	2414	1390	3.882	1464	4.866	1532	5.860	1594	6.863	1653	7.874	1710	8.900								
	10300	2590	1480	4.636	1551	5.688	1616	6.752	1676	7.824	1733	8.904										
	10900	2741	1558	5.363	1626	6.472	1688	7.597	1747	8.730												
	11500	2892	1637	6.168	1701	7.334																
	12200	3068	1728	7.211																		
245-28	6500	1520	995	1.536	1090	2.213	1174	2.907	1253	3.625	1329	4.375	1404	5.161	1478	5.982	1552	6.838	1625	7.728	1697	8.652
	7100	1660	1069	1.860	1159	2.596	1239	3.346	1313	4.114	1385	4.908	1454	5.731	1523	6.588	1591	7.476	1658	8.396	1725	9.350
	7700	1801	1143	2.233	1229	3.029	1306	3.836	1377	4.657	1444	5.498	1509	6.365	1573	7.260	1637	8.182	1699	9.135		
	8400	1964	1230	2.736	1312	3.602	1385	4.476	1453	5.362	1517	6.263	1578	7.186	1638	8.129	1697	9.099				
	9000	2105	1306	3.229	1384	4.153	1455	5.088	1520	6.031	1581	6.987	1640	7.959	1697	8.949						
	9700	2268	1395	3.884	1470	4.876	1537	5.880	1600	6.893	1659	7.914	1715	8.945								
	10300	2409	1472	4.519	1543	5.569	1609	6.633	1669	7.702	1726	8.782										
	11000	2572	1562	5.349	1630	6.464	1693	7.598														
	11600	2713	1640	6.144	1705	7.314																
	12300	2876	1731	7.174																		

Performance certified is for installation Type A: Free inlet, Free outlet. Power rating (BHP) does not include transmission losses. Performance ratings do not include the effects of appurtenances (accessories).

270 AIR PERFORMANCE (PART 1 OF 3)

Model	CFM	OV	0.5" SP		1" SP		1.5" SP		2" SP		2.5" SP		3" SP		3.5" SP		4" SP		4.5" SP		5" SP		
			RPM	BHP	RPM	BHP	RPM	BHP	RPM	BHP	RPM	BHP	RPM	BHP	RPM	BHP	RPM	BHP	RPM	BHP	RPM	BHP	RPM
270-14	5100	4771	948	2.503	1049	3.241	1146	4.031	1239	4.860	1327	5.722	1409	6.610	1487	7.522	1561	8.457	1631	9.412			
	5700	5332	1037	3.299	1128	4.105	1217	4.961	1303	5.856	1385	6.789	1464	7.748	1539	8.734	1611	9.739	1679	10.768			
	6200	5800	1113	4.090	1197	4.954	1279	5.865	1360	6.817	1438	7.804	1513	8.822	1585	9.866	1655	10.934					
	6700	6267	1189	5.011	1267	5.932	1344	6.899	1420	7.906	1493	8.951	1565	10.025	1634	11.127	1702	12.253					
	7200	6735	1267	6.070	1339	7.050	1411	8.073	1482	9.135	1552	10.234	1620	11.365	1686	12.524							
	7700	7203	1345	7.279	1413	8.317	1480	9.397	1547	10.516	1613	11.670	1678	12.854									
	8200	7671	1424	8.646	1488	9.743	1551	10.879	1614	12.055	1676	13.263											
	8700	8138	1503	10.182	1563	11.340	1623	12.534	1683	13.765													
	9300	8700	1598	12.263	1655	13.493																	
	9800	9167	1678	14.209																			
270-15	5600	4563	945	2.542	1039	3.290	1131	4.094	1220	4.946	1307	5.838	1389	6.763	1468	7.716	1543	8.693	1614	9.690	1683	10.710	
	6200	5052	1027	3.271	1112	4.081	1196	4.944	1278	5.854	1359	6.806	1437	7.793	1512	8.811	1584	9.853	1654	10.922			
	6700	5460	1096	3.987	1175	4.850	1253	5.762	1330	6.721	1406	7.722	1480	8.758	1552	9.827	1622	10.924	1690	12.047			
	7300	5949	1181	4.987	1253	5.914	1325	6.887	1396	7.904	1467	8.963	1536	10.058	1604	11.187	1671	12.347					
	7900	6437	1266	6.154	1333	7.145	1400	8.180	1466	9.257	1532	10.374	1597	11.528	1661	12.716							
	8400	6845	1338	7.263	1401	8.309	1464	9.398	1527	10.524	1589	11.690	1650	12.893									
	9000	7334	1425	8.772	1484	9.885	1543	11.035	1601	12.224	1659	13.448											
	9600	7823	1512	10.486	1568	11.664	1623	12.881	1678	14.133													
	10100	8230	1585	12.080	1638	13.315	1691	14.587															
	10700	8719	1673	14.206																			
270-16	6000	4297	939	2.510	1027	3.261	1115	4.068	1201	4.927	1285	5.833	1367	6.776	1445	7.753	1521	8.758	1593	9.786	1663	10.839	
	6600	4727	1016	3.175	1097	3.985	1176	4.846	1256	5.757	1334	6.714	1410	7.711	1484	8.746	1557	9.808	1627	10.900	1694	12.014	
	7200	5157	1094	3.961	1168	4.831	1242	5.747	1315	6.711	1387	7.719	1458	8.770	1528	9.856	1597	10.977	1664	12.127			
	7800	5586	1173	4.877	1242	5.808	1310	6.782	1378	7.801	1445	8.862	1511	9.963	1577	11.100	1642	12.276					
	8400	6016	1253	5.935	1317	6.928	1380	7.962	1443	9.034	1506	10.149	1568	11.304	1630	12.493	1691	13.720					
	9000	6446	1333	7.146	1393	8.202	1453	9.295	1512	10.425	1570	11.594	1629	12.799	1687	14.044							
	9700	6947	1428	8.766	1484	9.896	1539	11.060	1594	12.258	1649	13.493	1703	14.761									
	10300	7377	1509	10.347	1562	11.539	1614	12.764	1666	14.022													
	10900	7807	1591	12.113	1641	13.369	1691	14.658															
	11500	8236	1673	14.076																			
270-17	6400	4060	942	2.518	1026	3.278	1109	4.092	1191	4.957	1272	5.871	1351	6.829	1428	7.826	1503	8.853	1575	9.910	1645	10.990	
	7000	4441	1015	3.139	1093	3.955	1169	4.821	1244	5.734	1319	6.697	1392	7.702	1465	8.746	1536	9.827	1605	10.937	1673	12.077	
	7700	4885	1101	3.995	1172	4.880	1242	5.809	1311	6.782	1379	7.799	1447	8.858	1514	9.957	1581	11.096	1646	12.265			
	8300	5266	1176	4.853	1243	5.799	1308	6.782	1372	7.808	1436	8.874	1499	9.982	1562	11.127	1624	12.311	1686	13.531			
	8900	5646	1252	5.835	1314	6.841	1375	7.882	1435	8.960	1495	10.079	1554	11.235	1613	12.430	1672	13.660					
	9600	6090	1341	7.148	1399	8.226	1456	9.335	1512	10.479	1567	11.660	1622	12.873	1677	14.124							
	10200	6471	1418	8.429	1472	9.568	1526	10.738	1579	11.937	1631	13.170	1684	14.438									
	10900	6915	1508	10.116	1559	11.328	1609	12.566	1659	13.834													
	11500	7296	1585	11.738	1634	13.011	1682	14.311															
	12100	7676	1662	13.528																			
270-18	6700	3791	940	2.469	1022	3.235	1102	4.050	1181	4.917	1259	5.833	1336	6.796	1412	7.798	1486	8.839	1557	9.909	1627	11.008	
	7400	4188	1022	3.147	1097	3.980	1170	4.855	1242	5.777	1313	6.743	1384	7.756	1454	8.811	1523	9.904	1590	11.031	1657	12.190	
	8000	4527	1093	3.828	1163	4.719	1231	5.648	1298	6.620	1364	7.633	1430	8.689	1495	9.785	1560	10.923	1624	12.095	1687	13.299	
	8700	4923	1176	4.750	1241	5.710	1304	6.704	1366	7.735	1428	8.805	1488	9.914	1549	11.063	1609	12.250	1669	13.472			
	9400	5319	1260	5.822	1321	6.852	1380	7.912	1438	9.004	1495	10.134	1552	11.298	1608	12.499	1664	13.737					
	10000	5659	1333	6.867	1391	7.958	1446	9.075	1501	10.224	1555	11.403	1609	12.618	1662	13.868							
	10700	6055	1418	8.245	1473	9.408	1525	10.594	1577	11.806	1627	13.052	1678	14.324									
	11400	6451	1504	9.806	1555	11.039	1605	12.296	1654	13.576	1702	14.882											
	12100	6847	1590	11.563	1639	12.868	1686	14.192															
	12700	7187	1664	13.230																			
270-19	7000	3555	944	2.453	1024	3.232	1101	4.054	1178	4.926	1253	5.845	1327	6.812	1401	7.822	1473	8.871	1544	9.955	1613	11.071	
	7700	3911	1022	3.091	1096	3.936	1168	4.819	1237	5.744	1306	6.714	1375	7.728	1443	8.786	1510	9.881	1576	11.016	1641	12.184	
	8400	4266	1102	3.841	1171	4.754	1237	5.700	1301	6.684	1365	7.706	1428	8.770	1491	9.874	1553	11.019	1615	12.200	1676	13.416	
	9100	4622	1182	4.716	1247	5.697	1308	6.708	1369	7.751	1428	8.830	1487	9.947	1545	11.101	1603	12.294	1660	13.521			
	9800	4977	1263	5.723	1324	6.774	1382	7.852	1438	8.958	1494	10.096	1549	11.269	1603	12.473	1657	13.715					
	10400	5282	1333	6.701	1391	7.812	1446	8.948	1500	10.109	1552	11.299	1604	12.520	1656	13.773							
	11100	5638	1415	7.983	1470	9.167	1522	10.370	1573	11.596	1623	12.848	1672	14.131									
	11800	5993	1498	9.429	1549	10.684	1599	11.954	1647	13.247	1695	14.567											
	12500	6349	1581	11.047	1630	12.372	1677	13.715															
	13200	6704	1664	12.849																			
270-20	7200	3300	941	2.385	1021	3.171	1097	3.996	1171	4.868	1245	5.787	1318	6.753	1390	7.763	1461	8.815	1531	9.904	1600	11.024	
	7900	3621	1017	2.979	1091	3.831	1161	4.718	1230	5.644	1298	6.612	1365	7.625	1431	8.679	1497	9.775	1562	10.909	1627	12.081	
	8600	3942	1094	3.675	1163	4.595	1229	5.545	1293	6.528	1355	7.551	1417	8.610	1479	9.711	1540	10.852	1601	12.032	1661	13.247	
	9400	4309	1183	4.606	1247	5.606	1308	6.629	1367	7.682	1426	8.769	1483	9.889	1539	11.047	1596	12.240	1652	13.470			
	10100	4629	1261	5.549	1322	6.619	1380	7.710	1435	8.825	1490	9.970	1544	11.149	1597	12.356	1650	13.600	1702	14.876			
	10800	4950	1340	6.623	1397	7.762	1452	8.920	1505														

270 AIR PERFORMANCE (PART 2 OF 3)

Model	CFM	OV	0.5" SP		1" SP		1.5" SP		2" SP		2.5" SP		3" SP		3.5" SP		4" SP		4.5" SP		5" SP			
			RPM	BHP	RPM	BHP	RPM	BHP	RPM	BHP	RPM	BHP	RPM	BHP	RPM	BHP	RPM	BHP	RPM	BHP	RPM	BHP	RPM	BHP
270-21	7400	3077	942	2.346	1021	3.142	1096	3.974	1169	4.850	1241	5.771	1312	6.738	1383	7.750	1453	8.803	1522	9.895	1590	11.024		
	8200	3409	1026	2.995	1100	3.868	1169	4.770	1236	5.709	1301	6.687	1366	7.706	1431	8.767	1495	9.870	1558	11.012	1621	12.188		
	8900	3700	1101	3.662	1170	4.604	1235	5.570	1298	6.568	1359	7.600	1419	8.668	1479	9.775	1538	10.921	1597	12.105	1656	13.327		
	9600	3991	1176	4.432	1242	5.443	1303	6.475	1362	7.534	1419	8.622	1476	9.744	1532	10.900	1587	12.095	1642	13.320	1697	14.584		
	10400	4324	1263	5.446	1325	6.538	1383	7.647	1438	8.778	1492	9.936	1545	11.120	1597	12.337	1648	13.586	1700	14.867				
	11100	4615	1340	6.460	1398	7.623	1453	8.800	1506	9.996	1557	11.217	1607	12.462	1657	13.732								
	11900	4947	1428	7.776	1483	9.019	1535	10.275	1585	11.548	1634	12.842	1681	14.155										
	12600	5238	1506	9.071	1558	10.387	1608	11.713	1656	13.053	1703	14.412												
	13300	5529	1584	10.512	1634	11.899	1681	13.293																
	14100	5862	1673	12.341																				
270-22	7600	2879	945	2.328	1025	3.137	1099	3.979	1170	4.861	1241	5.786	1310	6.756	1380	7.772	1448	8.828	1516	9.925	1583	11.059		
	8300	3144	1017	2.865	1092	3.742	1161	4.646	1228	5.583	1293	6.558	1357	7.575	1421	8.632	1485	9.729	1548	10.867	1610	12.042		
	9100	3447	1100	3.583	1170	4.539	1235	5.517	1297	6.522	1358	7.559	1417	8.633	1476	9.741	1534	10.889	1592	12.073	1650	13.296		
	9900	3750	1185	4.425	1250	5.461	1311	6.514	1370	7.591	1426	8.694	1482	9.828	1536	10.994	1590	12.195	1644	13.431	1697	14.700		
	10600	4015	1259	5.270	1321	6.377	1379	7.497	1435	8.639	1489	9.803	1541	10.993	1593	12.212	1644	13.464	1694	14.744				
	11400	4318	1345	6.370	1403	7.558	1459	8.758	1511	9.974	1562	11.210	1612	12.468	1660	13.752								
	12100	4584	1420	7.458	1476	8.718	1529	9.987	1579	11.269	1628	12.571	1675	13.891										
	12900	4887	1506	8.854	1559	10.194	1610	11.545	1658	12.907	1705	14.283												
	13700	5190	1593	10.423	1644	11.848	1692	13.279																
	14400	5455	1669	11.949																				
270-23	7700	2669	941	2.260	1021	3.075	1095	3.919	1166	4.802	1236	5.726	1305	6.694	1373	7.709	1441	8.765	1509	9.862	1575	10.994		
	8500	2946	1021	2.846	1096	3.740	1165	4.656	1231	5.602	1295	6.585	1359	7.606	1421	8.667	1483	9.769	1545	10.909	1606	12.089		
	9300	3223	1103	3.538	1173	4.511	1238	5.501	1300	6.516	1360	7.561	1418	8.639	1476	9.755	1533	10.905	1590	12.092	1647	13.318		
	10100	3501	1186	4.344	1252	5.396	1313	6.464	1371	7.551	1428	8.663	1482	9.804	1536	10.977	1589	12.180	1642	13.418	1695	14.691		
	10800	3743	1258	5.150	1321	6.274	1380	7.409	1436	8.561	1489	9.735	1541	10.935	1592	12.160	1642	13.415	1692	14.699				
	11600	4020	1342	6.196	1402	7.401	1458	8.616	1510	9.844	1561	11.090	1611	12.359	1659	13.651								
	12400	4298	1426	7.387	1483	8.673	1536	9.967	1587	11.273	1635	12.594	1682	13.933										
	13200	4575	1511	8.728	1565	10.096	1616	11.472	1664	12.857														
	13900	4818	1585	10.036	1637	11.474	1686	12.921																
	14700	5095	1670	11.691																				
270-24	7900	2515	948	2.277	1029	3.108	1102	3.965	1172	4.857	1240	5.790	1308	6.765	1375	7.783	1441	8.845	1507	9.948	1572	11.086		
	8700	2769	1028	2.849	1103	3.759	1172	4.688	1237	5.646	1300	6.638	1362	7.666	1423	8.732	1484	9.839	1545	10.986	1605	12.169		
	9500	3024	1108	3.520	1179	4.509	1244	5.515	1305	6.542	1364	7.597	1422	8.684	1479	9.805	1535	10.961	1591	12.154	1646	13.382		
	10200	3247	1179	4.195	1246	5.255	1308	6.328	1367	7.419	1423	8.533	1477	9.676	1531	10.847	1584	12.051	1636	13.288	1689	14.559		
	11000	3501	1260	5.076	1324	6.218	1383	7.369	1439	8.534	1492	9.721	1544	10.930	1594	12.164	1644	13.426	1693	14.716				
	11800	3756	1342	6.082	1403	7.306	1460	8.537	1513	9.780	1563	11.038	1613	12.316	1661	13.616								
	12600	4011	1425	7.223	1483	8.527	1537	9.837	1588	11.159	1636	12.495	1683	13.843										
	13400	4265	1508	8.506	1563	9.892	1615	11.285	1664	12.684														
	14200	4520	1592	9.942	1644	11.410	1694	12.883																
	15000	4775	1675	11.542																				
270-25	8000	2347	948	2.242	1029	3.081	1102	3.943	1172	4.839	1239	5.774	1306	6.750	1372	7.768	1438	8.831	1504	9.934	1568	11.074		
	8800	2582	1026	2.792	1102	3.711	1171	4.646	1236	5.608	1299	6.602	1360	7.632	1421	8.700	1481	9.806	1541	10.952	1601	12.137		
	9600	2816	1105	3.436	1176	4.434	1242	5.446	1303	6.479	1362	7.537	1420	8.626	1476	9.748	1532	10.905	1587	12.097	1643	13.326		
	10400	3051	1185	4.183	1252	5.261	1315	6.350	1373	7.456	1429	8.583	1483	9.736	1536	10.917	1588	12.129	1640	13.370	1691	14.646		
	11200	3286	1265	5.039	1329	6.200	1389	7.367	1444	8.548	1497	9.747	1549	10.968	1599	12.213	1648	13.483	1697	14.780				
	12000	3520	1346	6.015	1407	7.256	1464	8.505	1517	9.764	1568	11.036	1617	12.326	1665	13.637								
	12800	3755	1427	7.119	1486	8.440	1540	9.770	1591	11.107	1640	12.456	1687	13.820										
	13600	3990	1509	8.358	1565	9.760	1617	11.170	1666	12.589														
	14400	4224	1591	9.745	1644	11.227	1694	12.717																
	15200	4459	1673	11.282																				
270-26	8100	2197	949	2.220	1030	3.067	1103	3.936	1172	4.836	1240	5.773	1306	6.752	1371	7.772	1436	8.834	1501	9.939	1565	11.083		
	8900	2414	1026	2.754	1102	3.681	1171	4.622	1236	5.589	1299	6.587	1360	7.620	1420	8.689	1480	9.797	1539	10.944	1598	12.128		
	9700	2631	1103	3.377	1176	4.384	1242	5.403	1303	6.440	1362	7.504	1419	8.595	1475	9.720	1531	10.877	1586	12.070	1640	13.299		
	10500	2848	1182	4.098	1251	5.184	1313	6.282	1372	7.395	1428	8.525	1482	9.682	1534	10.866	1586	12.078	1638	13.325	1689	14.601		
	11300	3065	1261	4.923	1327	6.091	1387	7.268	1443	8.456	1496	9.661	1547	10.884	1597	12.133	1646	13.404	1694	14.706				
	12200	3309	1351	5.989	1413	7.247	1470	8.513	1524	9.790	1574	11.079	1623	12.384	1671	13.706								
	13000	3526	1432	7.066	1491	8.403	1545	9.750	1597	11.107	1646	12.471	1693	13.850										
	13800	3743	1512	8.273	1569	9.691	1621	11.118	1671	12.554														
	14600	3960	1593	9.618	1647	11.115	1698	12.626																
	15400	4177	1675	11.111																				
270-27	8200	2062	951	2.209	1032	3.065	1105	3.939	1174	4.845	1241	5.786	1307	6.768	1372	7.790	1436	8.856	1500	9.961	1563	11.105		
	9000	2264	1027	2.730	1104	3.665	1173	4.615	1238	5.588	1300	6.589	1361	7.626	1421	8.697	1480	9.809	1539	10.957	1597	12.142		
	9800	2465	1104	3.337	1177	4.352	1243	5.379	1304	6.423	1363	7.491	1420	8.587	1475	9.715	1531	10.876	1585	12.070	1639	13.300		
	10600	2666	1181	4.03																				

270 AIR PERFORMANCE (PART 3 OF 3)

Model	CFM	OV	0.5" SP		1" SP		1.5" SP		2" SP		2.5" SP		3" SP		3.5" SP		4" SP		4.5" SP		5" SP		
			RPM	BHP	RPM	BHP	RPM	BHP	RPM	BHP	RPM	BHP	RPM	BHP	RPM	BHP	RPM	BHP	RPM	BHP	RPM	BHP	RPM
270-28	8300	1941	954	2.206	1035	3.071	1109	3.954	1177	4.864	1243	5.811	1308	6.795	1373	7.821	1436	8.887	1500	9.997	1562	11.142	
	9100	2128	1029	2.718	1107	3.662	1176	4.620	1241	5.600	1302	6.607	1363	7.647	1422	8.722	1481	9.834	1539	10.985	1597	12.173	
	9900	2315	1105	3.313	1179	4.337	1245	5.372	1306	6.424	1365	7.498	1421	8.597	1477	9.729	1532	10.894	1586	12.092	1639	13.322	
	10700	2502	1182	3.998	1252	5.102	1315	6.217	1374	7.342	1430	8.487	1484	9.654	1536	10.845	1587	12.066	1638	13.314	1688	14.594	
	11600	2713	1270	4.886	1336	6.080	1396	7.284	1452	8.497	1505	9.723	1556	10.968	1606	12.234	1654	13.521	1702	14.835			
	12400	2900	1348	5.788	1411	7.060	1469	8.344	1523	9.637	1574	10.939	1623	12.256	1670	13.591							
	13200	3087	1426	6.804	1487	8.154	1542	9.518	1595	10.890	1644	12.271	1691	13.664									
	14000	3274	1505	7.940	1563	9.368	1617	10.813	1667	12.265													
	14900	3485	1595	9.372	1649	10.887	1701	12.421															
15700	3672	1675	10.791																				
270-29	8300	1809	948	2.153	1031	3.017	1104	3.899	1173	4.807	1239	5.751	1304	6.733	1369	7.756	1432	8.820	1496	9.927	1559	11.070	
	9200	2006	1032	2.716	1110	3.669	1179	4.636	1244	5.622	1305	6.635	1365	7.679	1424	8.759	1482	9.875	1540	11.029	1598	12.218	
	10000	2180	1108	3.302	1182	4.334	1248	5.378	1309	6.437	1368	7.518	1424	8.624	1479	9.760	1533	10.927	1587	12.128	1640	13.364	
	10800	2355	1184	3.975	1255	5.088	1318	6.211	1377	7.345	1433	8.496	1486	9.670	1538	10.867	1589	12.090	1640	13.343	1689	14.626	
	11700	2551	1271	4.847	1337	6.049	1398	7.261	1454	8.484	1508	9.719	1558	10.968	1608	12.241	1656	13.535	1703	14.851			
	12500	2725	1348	5.731	1412	7.011	1470	8.304	1525	9.605	1576	10.916	1625	12.240	1672	13.581							
	13300	2900	1426	6.727	1487	8.083	1543	9.456	1596	10.838	1645	12.226	1693	13.626									
	14200	3096	1515	7.988	1572	9.430	1626	10.891	1677	12.363													
	15000	3270	1593	9.240	1648	10.758	1700	12.301															
15800	3445	1673	10.628																				
270-30	8400	1711	953	2.165	1035	3.038	1109	3.927	1177	4.843	1243	5.792	1308	6.780	1371	7.806	1434	8.873	1497	9.983	1559	11.130	
	9200	1874	1027	2.656	1105	3.608	1175	4.573	1240	5.558	1302	6.569	1362	7.612	1421	8.690	1479	9.803	1536	10.953	1594	12.141	
	10100	2058	1111	3.302	1186	4.344	1252	5.396	1313	6.464	1371	7.551	1428	8.663	1482	9.804	1536	10.975	1589	12.180	1642	13.418	
	10900	2221	1187	3.967	1258	5.088	1321	6.220	1380	7.363	1436	8.522	1489	9.700	1541	10.903	1592	12.133	1642	13.389	1692	14.679	
	11700	2384	1264	4.725	1331	5.923	1392	7.136	1449	8.356	1502	9.589	1553	10.839	1603	12.109	1651	13.400	1699	14.716			
	12600	2567	1350	5.698	1414	6.984	1473	8.285	1527	9.596	1578	10.915	1627	12.246	1675	13.594							
	13400	2730	1428	6.678	1489	8.039	1545	9.421	1598	10.812	1647	12.207	1695	13.615									
	14200	2893	1506	7.771	1564	9.208	1618	10.670	1669	12.141													
	15100	3076	1594	9.149	1649	10.669	1701	12.218															
15900	3239	1672	10.510																				

Performance certified is for installation Type A: Free inlet, Free outlet. Power rating (BHP) does not include transmission losses. Performance ratings do not include the effects of appurtenances (accessories).

300 AIR PERFORMANCE (PART 3 OF 3)

Model	CFM	OV	0.5" SP		1" SP		1.5" SP		2" SP		2.5" SP		3" SP		3.5" SP		4" SP		4.5" SP		5" SP		
			RPM	BHP	RPM	BHP	RPM	BHP	RPM	BHP	RPM	BHP	RPM	BHP	RPM	BHP	RPM	BHP	RPM	BHP	RPM	BHP	RPM
300-29	9300	2027	805	2.328	881	3.305	950	4.315	1016	5.371	1080	6.479	1144	7.644	1207	8.864	1269	10.140	1331	11.464	1392	12.836	
	10300	2246	874	2.920	946	3.995	1011	5.094	1072	6.230	1131	7.408	1189	8.635	1246	9.913	1303	11.241	1360	12.618	1416	14.044	
	11200	2442	937	3.543	1005	4.708	1067	5.890	1125	7.102	1180	8.351	1234	9.641	1288	10.973	1341	12.355	1393	13.781			
	12100	2638	1001	4.259	1066	5.514	1125	6.783	1180	8.076	1232	9.398	1283	10.756	1333	12.151	1383	13.588					
	13100	2856	1073	5.172	1134	6.527	1190	7.895	1243	9.281	1293	10.689	1341	12.129	1388	13.600							
	14000	3052	1138	6.107	1197	7.554	1250	9.012	1301	10.482	1348	11.974	1395	13.489									
	15000	3270	1210	7.285	1266	8.831	1318	10.389	1366	11.957	1412	13.544											
	15900	3466	1276	8.475	1330	10.111	1379	11.759	1426	13.419													
	16800	3663	1342	9.797	1394	11.524																	
17800	3881	1416	11.429																				
300-30	9400	1915	806	2.318	883	3.303	952	4.319	1017	5.379	1081	6.491	1144	7.658	1206	8.880	1268	10.157	1330	11.484	1390	12.860	
	10400	2119	875	2.897	947	3.981	1012	5.087	1073	6.227	1131	7.409	1189	8.640	1246	9.919	1303	11.249	1359	12.628	1415	14.054	
	11300	2302	937	3.506	1006	4.679	1068	5.869	1125	7.087	1181	8.340	1235	9.633	1288	10.969	1340	12.351	1392	13.779			
	12300	2506	1008	4.287	1073	5.561	1131	6.848	1186	8.156	1238	9.492	1289	10.861	1339	12.266	1387	13.713					
	13200	2689	1071	5.092	1134	6.457	1190	7.832	1242	9.225	1292	10.639	1340	12.082	1387	13.556							
	14200	2893	1143	6.111	1202	7.574	1256	9.051	1306	10.539	1354	12.045	1400	13.573									
	15100	3076	1208	7.145	1264	8.699	1316	10.266	1365	11.842	1411	13.433											
	16000	3259	1273	8.301	1327	9.944	1377	11.600	1424	13.266													
	17000	3463	1345	9.734	1397	11.474																	
17900	3647	1411	11.165																				
300-31	9500	1812	808	2.315	885	3.309	954	4.331	1019	5.396	1082	6.512	1145	7.682	1207	8.907	1268	10.185	1329	11.515	1389	12.893	
	10500	2003	876	2.885	949	3.977	1013	5.090	1074	6.236	1133	7.424	1190	8.657	1247	9.938	1303	11.269	1358	12.652	1414	14.080	
	11400	2175	938	3.482	1007	4.664	1069	5.862	1127	7.085	1182	8.343	1236	9.640	1288	10.979	1340	12.363	1392	13.795			
	12400	2366	1008	4.246	1073	5.529	1132	6.825	1187	8.139	1239	9.480	1290	10.855	1339	12.264	1388	13.715					
	13300	2537	1071	5.035	1134	6.407	1190	7.792	1243	9.192	1293	10.613	1341	12.060	1388	13.539							
	14300	2728	1142	6.030	1202	7.502	1256	8.986	1306	10.483	1354	11.996	1400	13.531									
	15200	2900	1206	7.040	1263	8.601	1316	10.176	1364	11.761	1410	13.358											
	16200	3091	1278	8.299	1332	9.959	1383	11.634	1430	13.318													
	17100	3262	1343	9.563	1395	11.309																	
18100	3453	1415	11.122																				
300-32	9600	1719	811	2.318	888	3.321	956	4.351	1021	5.421	1084	6.540	1146	7.713	1207	8.941	1268	10.222	1328	11.555	1388	12.936	
	10500	1880	871	2.820	945	3.912	1010	5.023	1071	6.167	1129	7.351	1187	8.581	1243	9.860	1299	11.189	1355	12.566	1411	13.994	
	11500	2059	940	3.468	1009	4.659	1071	5.866	1129	7.097	1184	8.360	1237	9.661	1289	11.005	1341	12.391	1393	13.825			
	12500	2238	1009	4.221	1075	5.512	1134	6.817	1189	8.139	1241	9.485	1291	10.865	1340	12.280	1389	13.732					
	13400	2399	1072	4.995	1135	6.376	1192	7.769	1244	9.176	1294	10.604	1342	12.059	1389	13.542							
	14400	2578	1142	5.972	1202	7.451	1257	8.945	1307	10.448	1355	11.970	1401	13.511									
	15300	2739	1206	6.962	1263	8.530	1316	10.113	1365	11.707	1411	13.312											
	16300	2919	1277	8.196	1332	9.860	1382	11.545	1430	13.237													
	17200	3080	1341	9.434	1394	11.185																	
18200	3259	1413	10.959																				
300-33	9600	1616	807	2.276	885	3.277	954	4.306	1018	5.374	1081	6.492	1143	7.662	1205	8.888	1265	10.166	1326	11.497	1385	12.875	
	10600	1785	874	2.824	947	3.924	1013	5.044	1073	6.194	1132	7.384	1189	8.618	1245	9.901	1300	11.232	1356	12.612	1411	14.042	
	11600	1953	942	3.465	1012	4.665	1074	5.879	1131	7.118	1186	8.387	1239	9.693	1291	11.039	1343	12.430	1394	13.867			
	12500	2105	1004	4.128	1070	5.418	1130	6.721	1185	8.041	1237	9.388	1288	10.763	1337	12.176	1385	13.625					
	13500	2273	1073	4.971	1136	6.360	1193	7.762	1246	9.179	1296	10.612	1344	12.073	1391	13.563							
	14500	2441	1143	5.934	1203	7.419	1258	8.923	1309	10.436	1357	11.964	1403	13.511									
	15400	2593	1206	6.909	1264	8.483	1317	10.075	1366	11.677	1412	13.291											
	16400	2761	1277	8.123	1332	9.792	1383	11.485	1430	13.187													
	17300	2913	1341	9.339	1394	11.093																	
18300	3081	1412	10.838																				

Performance certified is for installation Type A: Free inlet, Free outlet. Power rating (BHP) does not include transmission losses. Performance ratings do not include the effects of appurtenances (accessories).

330 AIR PERFORMANCE (PART 1 OF 3)

Model	CFM	OV	0.5"SP		1"SP		1.5"SP		2"SP		2.5"SP		3"SP		3.5"SP		4"SP		4.5"SP		5"SP		
			RPM	BHP	RPM	BHP	RPM	BHP	RPM	BHP	RPM	BHP	RPM	BHP	RPM	BHP	RPM	BHP	RPM	BHP	RPM	BHP	RPM
330-18	7700	4357	757	3.488	841	4.595	925	5.793	1006	7.059	1083	8.374	1155	9.727	1222	11.112	1284	12.528	1343	13.973			
	8500	4810	819	4.440	895	5.632	971	6.912	1047	8.265	1119	9.675	1189	11.127	1255	12.614	1317	14.133					
	9200	5206	874	5.419	944	6.685	1015	8.039	1085	9.465	1154	10.954	1221	12.489	1285	14.062							
	10000	5659	938	6.719	1003	8.074	1068	9.510	1133	11.020	1197	12.593	1260	14.218	1322	15.888							
	10800	6112	1004	8.230	1063	9.673	1123	11.193	1183	12.785	1243	14.442	1303	16.154									
	11500	6508	1061	9.737	1117	11.259	1173	12.854	1230	14.519	1286	16.246	1343	18.033									
	12300	6960	1128	11.685	1180	13.298	1232	14.981	1285	16.729	1338	18.541											
	13100	7413	1194	13.891	1243	15.597	1292	17.367	1342	19.199													
	13900	7866	1262	16.372	1308	18.169																	
	14600	8262	1321	18.781																			
330-19	8200	4165	754	3.498	833	4.605	912	5.810	991	7.095	1067	8.445	1140	9.839	1208	11.272	1273	12.736	1333	14.230			
	9000	4571	813	4.389	885	5.576	957	6.855	1029	8.216	1100	9.645	1169	11.130	1236	12.657	1300	14.219					
	9800	4977	874	5.438	939	6.706	1005	8.060	1071	9.495	1137	11.001	1203	12.567	1266	14.182	1328	15.839					
	10600	5384	935	6.657	995	8.008	1056	9.439	1117	10.948	1178	12.529	1239	14.172	1300	15.869							
	11400	5790	997	8.062	1052	9.496	1109	11.006	1165	12.591	1222	14.245	1280	15.963	1336	17.736							
	12200	6196	1059	9.664	1111	11.184	1164	12.776	1216	14.435	1270	16.163	1323	17.954									
	13100	6653	1130	11.720	1178	13.339	1227	15.022	1276	16.770	1325	18.583											
	13900	7060	1193	13.790	1239	15.495	1285	17.263	1331	19.090													
	14700	7466	1256	16.101	1300	17.895	1343	19.746															
	15500	7872	1320	18.668																			
330-20	8600	3942	751	3.450	825	4.553	901	5.754	976	7.044	1051	8.406	1123	9.826	1192	11.291	1258	12.790	1320	14.321			
	9400	4309	808	4.283	876	5.462	944	6.732	1013	8.088	1082	9.521	1150	11.017	1217	12.567	1281	14.158	1342	15.784			
	10300	4721	873	5.386	934	6.654	997	8.004	1059	9.436	1123	10.944	1186	12.520	1248	14.156	1309	15.840					
	11100	5088	931	6.529	989	7.877	1046	9.300	1104	10.801	1162	12.376	1221	14.019	1280	15.725	1337	17.485					
	12000	5500	997	8.011	1051	9.451	1104	10.960	1157	12.540	1211	14.191	1265	15.910	1319	17.692							
	12800	5867	1057	9.516	1107	11.039	1157	12.626	1207	14.280	1257	16.000	1308	17.785									
	13700	6280	1125	11.436	1171	13.054	1218	14.729	1264	16.468	1311	18.269											
	14600	6692	1192	13.612	1236	15.324	1280	17.092	1324	18.917													
	15400	7059	1253	15.774	1295	17.573	1336	19.422															
	16300	7471	1321	18.480																			
330-21	8900	3700	746	3.354	817	4.450	890	5.643	963	6.926	1035	8.290	1107	9.720	1176	11.200	1243	12.722	1306	14.276			
	9800	4074	807	4.234	872	5.414	938	6.681	1004	8.033	1070	9.467	1136	10.972	1201	12.537	1265	14.150	1327	15.806			
	10700	4449	870	5.273	930	6.540	989	7.885	1049	9.309	1110	10.810	1171	12.385	1231	14.026	1291	15.721					
	11600	4823	933	6.486	989	7.842	1044	9.267	1099	10.766	1154	12.338	1210	13.981	1266	15.690	1322	17.461					
	12500	5197	997	7.887	1049	9.333	1100	10.843	1151	12.419	1202	14.064	1254	15.776	1306	17.553							
	13400	5571	1061	9.491	1110	11.028	1158	12.623	1205	14.280	1253	16.000	1301	17.785									
	14300	5945	1126	11.310	1172	12.941	1217	14.624	1261	16.363	1306	18.162											
	15200	6319	1192	13.362	1235	15.086	1277	16.857	1319	18.681													
	16000	6652	1250	15.392	1291	17.199	1331	19.050															
	16900	7026	1316	17.921																			
330-22	9200	3485	744	3.300	814	4.397	883	5.584	954	6.863	1024	8.227	1095	9.664	1163	11.158	1230	12.699	1294	14.279			
	10200	3864	811	4.232	874	5.421	936	6.690	999	8.042	1063	9.476	1126	10.986	1190	12.563	1253	14.195	1314	15.875			
	11100	4205	871	5.223	930	6.499	987	7.844	1045	9.266	1103	10.765	1161	12.339	1220	13.981	1278	15.685	1336	17.443			
	12000	4546	932	6.374	987	7.737	1040	9.164	1094	10.660	1147	12.225	1201	13.862	1255	15.568	1309	17.337					
	12900	4887	994	7.696	1045	9.148	1095	10.658	1145	12.230	1194	13.867	1244	15.571	1294	17.341	1344	19.174					
	13800	5228	1057	9.202	1105	10.745	1152	12.339	1198	13.992	1244	15.703	1290	17.476	1337	19.311							
	14800	5606	1126	11.106	1171	12.750	1215	14.442	1259	16.186	1302	17.984	1345	19.838									
	15700	5947	1189	13.043	1232	14.779	1274	16.559	1315	18.387													
	16600	6288	1253	15.202	1293	17.032	1333	18.902															
	17500	6629	1316	17.598																			
330-23	9500	3293	746	3.279	814	4.382	881	5.570	949	6.847	1017	8.211	1086	9.651	1153	11.156	1219	12.715	1283	14.316	1344	15.952	
	10500	3639	810	4.169	873	5.364	933	6.633	994	7.981	1056	9.411	1118	10.919	1179	12.497	1241	14.138	1302	15.830			
	11400	3951	869	5.110	927	6.391	983	7.737	1039	9.155	1096	10.648	1152	12.215	1209	13.852	1266	15.555	1323	17.317			
	12400	4298	935	6.328	989	7.706	1041	9.141	1093	10.641	1144	12.208	1196	13.843	1248	15.548	1300	17.317					
	13300	4610	995	7.591	1046	9.058	1095	10.577	1143	12.152	1191	13.789	1239	15.491	1288	17.257	1336	19.086					
	14300	4956	1063	9.192	1110	10.760	1156	12.373	1201	14.038	1246	15.758	1291	17.537	1335	19.375							
	15200	5268	1124	10.827	1169	12.486	1212	14.186	1255	15.932	1297	17.729	1339	19.579									
	16200	5615	1192	12.869	1234	14.630	1276	16.428	1316	18.268													
	17100	5927	1253	14.926	1294	16.780	1333	18.667															
	18100	6273	1322	17.466																			
330-24	9800	3119	750	3.285	817	4.398	882	5.591	947	6.870	1013	8.234	1079	9.678	1146	11.193	1211	12.766	1274	14.387	1335	16.046	
	10700	3406	806	4.051	868	5.247	928	6.513	988	7.855	1048	9.278	1108	10.778	1169	12.351	1230	13.990	1290	15.686			
	11700	3724	870	5.047	928	6.339	983	7.691	1038	9.110	1092	10.600	1147	12.165	1202	13.799	1258	15.503	1314	17.267			
	12700	4043	935	6.211	988	7.601	1040	9.041	1091	10.542	1141	12.107	1191	13.739	1242	15.438	1293	17.202	1344	19.031			
	13700	4361	1000	7.555	1050	9.044	1099	10.577	1146	12.163	1193	13.807	1239	15.512	1286	17.277	1333	19.107					
	14600	4647	1059	8.931	1107	10.511	1153	12.130	1197	13.795	1241	15.514	1285	17.287	1329	19.119							
	15600	4966	1125	10.659	1170	12.340	1213	14.055	1256	15.814	1297	17.617	1338	19.471									
	16600	5284	1191	12.608																			

330 AIR PERFORMANCE (PART 2 OF 3)

Model	CFM	OV	0.5"SP		1"SP		1.5"SP		2"SP		2.5"SP		3"SP		3.5"SP		4"SP		4.5"SP		5"SP		
			RPM	BHP	RPM	BHP	RPM	BHP	RPM	BHP	RPM	BHP	RPM	BHP	RPM	BHP	RPM	BHP	RPM	BHP	RPM	BHP	RPM
330-25	10000	2934	749	3.237	816	4.356	880	5.549	944	6.825	1008	8.186	1073	9.629	1138	11.144	1202	12.721	1265	14.352	1327	16.024	
	11000	3227	811	4.059	872	5.270	931	6.545	989	7.892	1047	9.317	1106	10.818	1165	12.394	1224	14.039	1283	15.743	1341	17.499	
	12000	3520	873	5.024	931	6.332	985	7.693	1039	9.117	1092	10.611	1145	12.175	1199	13.810	1253	15.513	1307	17.281			
	13000	3814	936	6.146	990	7.552	1041	9.004	1091	10.511	1140	12.079	1189	13.710	1239	15.408	1288	17.171	1338	18.997			
	14000	4107	1000	7.437	1051	8.944	1099	10.888	1146	12.081	1192	13.728	1237	15.433	1283	17.199	1328	19.024					
	15000	4400	1064	8.911	1112	10.519	1158	12.160	1202	13.842	1245	15.572	1288	17.355	1330	19.192							
	16000	4694	1128	10.582	1174	12.291	1217	14.028	1259	15.803	1300	17.619	1341	19.484									
	17000	4987	1193	12.458	1237	14.271	1278	16.107	1318	17.976													
	18000	5280	1258	14.558	1300	16.474	1339	18.410															
	19000	5574	1323	16.891																			
330-26	10200	2766	750	3.212	817	4.339	880	5.535	942	6.812	1005	8.171	1069	9.613	1132	11.130	1196	12.712	1258	14.349	1319	16.033	
	11200	3038	811	4.005	872	5.225	931	6.505	988	7.852	1045	9.276	1102	10.774	1160	12.348	1218	13.991	1276	15.697	1333	17.459	
	12200	3309	872	4.933	930	6.251	984	7.617	1037	9.043	1089	10.534	1141	12.095	1194	13.727	1247	15.427	1300	17.191			
	13200	3580	934	6.009	988	7.425	1039	8.882	1089	10.390	1137	11.957	1185	13.586	1234	15.278	1282	17.036	1331	18.857			
	14300	3878	1002	7.376	1053	8.903	1102	10.464	1148	12.068	1193	13.723	1238	15.431	1282	17.198	1327	19.024					
	15300	4150	1065	8.800	1114	10.429	1159	12.085	1203	13.780	1246	15.519	1288	17.305	1330	19.145							
	16300	4421	1128	10.407	1174	12.140	1218	13.895	1260	15.682	1300	17.506	1340	19.377									
	17300	4692	1191	12.211	1236	14.047	1277	15.900	1317	17.783													
	18300	4963	1255	14.222	1297	16.163	1338	18.118															
	19400	5262	1325	16.689																			
330-27	10400	2616	753	3.205	819	4.342	881	5.545	942	6.824	1004	8.184	1066	9.627	1129	11.145	1191	12.731	1253	14.376	1314	16.071	
	11400	2867	812	3.976	874	5.209	932	6.494	988	7.846	1044	9.270	1100	10.768	1157	12.341	1214	13.984	1271	15.693	1328	17.459	
	12400	3119	872	4.875	930	6.206	984	7.579	1037	9.009	1088	10.502	1140	12.064	1191	13.692	1243	15.391	1296	17.155			
	13500	3395	939	6.026	994	7.467	1045	8.941	1093	10.464	1141	12.040	1188	13.675	1236	15.374	1283	17.134	1331	18.958			
	14500	3647	1000	7.232	1052	8.774	1100	10.342	1147	11.952	1192	13.609	1236	15.319	1280	17.085	1324	18.908					
	15600	3923	1068	8.745	1117	10.401	1163	12.077	1207	13.787	1249	15.536	1291	17.334	1332	19.179							
	16600	4175	1130	10.305	1177	12.064	1221	13.839	1263	15.643	1303	17.482	1342	19.361									
	17600	4426	1192	12.050	1237	13.914	1279	15.791	1319	17.691													
	18700	4703	1261	14.199	1304	16.178	1344	18.166															
	19700	4955	1323	16.370																			
330-28	10500	2456	750	3.145	817	4.286	879	5.488	940	6.764	1000	8.122	1062	9.560	1124	11.075	1186	12.659	1247	14.306	1308	16.001	
	11600	2713	815	3.968	877	5.215	934	6.510	990	7.866	1044	9.293	1100	10.792	1155	12.366	1211	14.011	1267	15.721	1323	17.493	
	12600	2947	874	4.846	932	6.191	986	7.574	1038	9.010	1089	10.507	1140	12.070	1190	13.700	1241	15.397	1293	17.162	1344	18.987	
	13700	3204	939	5.964	995	7.421	1046	8.907	1094	10.435	1142	12.016	1188	13.654	1235	15.353	1281	17.115	1328	18.937			
	14800	3461	1006	7.257	1058	8.827	1107	10.418	1152	12.045	1197	13.716	1240	15.437	1284	17.210	1327	19.041					
	15800	3695	1066	8.597	1116	10.271	1163	11.960	1206	13.679	1249	15.436	1290	17.236	1331	19.085							
	16900	3952	1133	10.263	1181	12.051	1225	13.852	1267	15.674	1307	17.530											
	17900	4186	1194	11.962	1240	13.859	1283	15.760	1323	17.680													
	19000	4443	1262	14.050	1306	16.063																	
	20000	4677	1324	16.159																			
330-29	10700	2333	755	3.168	821	4.323	882	5.534	942	6.818	1002	8.178	1062	9.619	1123	11.137	1183	12.726	1244	14.379	1304	16.086	
	11800	2573	818	3.978	880	5.240	937	6.545	992	7.909	1046	9.341	1100	10.844	1155	12.419	1210	14.066	1265	15.779	1320	17.555	
	12800	2791	876	4.838	936	6.201	989	7.596	1041	9.040	1091	10.543	1141	12.109	1191	13.742	1241	15.441	1291	17.205	1342	19.033	
	13900	3030	941	5.932	997	7.407	1048	8.905	1097	10.444	1143	12.032	1190	13.674	1235	15.377	1281	17.139	1327	18.962			
	15000	3270	1006	7.193	1060	8.783	1108	10.388	1154	12.025	1198	13.703	1242	15.430	1284	17.207	1327	19.040					
	16000	3488	1066	8.496	1117	10.191	1164	11.895	1208	13.626	1250	15.390	1291	17.199	1331	19.050							
	17100	3728	1132	10.115	1181	11.925	1226	13.741	1268	15.576	1308	17.441											
	18200	3968	1198	11.937	1245	13.867	1288	15.796	1328	17.738													
	19200	4186	1259	13.785	1304	15.821	1345	17.853															
	20300	4426	1326	16.038																			
330-30	10800	2200	754	3.136	821	4.297	882	5.511	941	6.794	1001	8.155	1060	9.594	1120	11.110	1180	12.698	1240	14.352	1300	16.061	
	11900	2424	817	3.925	880	5.193	937	6.502	991	7.868	1045	9.299	1099	10.800	1153	12.374	1207	14.017	1261	15.729	1316	17.504	
	13000	2648	880	4.850	940	6.231	993	7.639	1044	9.094	1094	10.605	1143	12.176	1192	13.813	1242	15.514	1291	17.281	1341	19.112	
	14100	2872	944	5.925	1001	7.420	1052	8.933	1100	10.483	1146	12.078	1192	13.727	1237	15.433	1283	17.201	1328	19.025			
	15200	3097	1008	7.162	1062	8.772	1111	10.393	1157	12.043	1201	13.730	1244	15.463	1286	17.249	1328	19.084					
	16200	3300	1067	8.437	1119	10.152	1166	11.875	1210	13.618	1252	15.393	1293	17.209	1333	19.068							
	17300	3524	1132	10.016	1182	11.850	1227	13.684	1269	15.535	1310	17.411											
	18400	3748	1198	11.794	1246	13.747	1289	15.695	1330	17.654													
	19500	3973	1264	13.782	1309	15.855																	
	20600	4197	1330	15.993																			
330-31	10900	2080	754	3.115	821	4.283	882	5.500	941	6.785	1000	8.146	1059	9.585	1118	11.100	1178	12.689	1237	14.343	1296	16.055	
	12000	2289	816	3.886	880	5.164	937	6.477	991	7.845	1044	9.277	1098	10.777	1151	12.350	1205	13.992	1259	15.702	1313	17.477	
	13100	2499	879	4.790	939	6.180	993	7.594	1044	9.052	1093	10.562	1142	12.135	1191	13.770	1240	15.469	1289	17.234	1338	19.063	
	14200	2709	942	5.838	999	7.342	1051	8.861	1099	10.414	1145	12.013	1191	13.663	1236	15.368	1281	17.133	1326	18.955			
	15300	2919	1006	7.041	1060	8.662	1110	10.291	1156	11.943	1200	13.634</											

330 AIR PERFORMANCE (PART 3 OF 3)

Model	CFM	OV	0.5"SP		1"SP		1.5"SP		2"SP		2.5"SP		3"SP		3.5"SP		4"SP		4.5"SP		5"SP			
			RPM	BHP	RPM	BHP	RPM	BHP	RPM	BHP	RPM	BHP	RPM	BHP	RPM	BHP	RPM	BHP	RPM	BHP	RPM	BHP	RPM	BHP
330-32	11000	1970	755	3.103	822	4.279	883	5.501	942	6.789	1000	8.151	1058	9.590	1117	11.105	1176	12.694	1235	14.349	1294	16.065		
	12200	2184	822	3.937	886	5.233	942	6.560	996	7.939	1049	9.380	1101	10.887	1153	12.464	1206	14.111	1259	15.826	1313	17.606		
	13300	2381	884	4.835	945	6.244	998	7.674	1049	9.144	1098	10.665	1146	12.245	1194	13.886	1242	15.591	1290	17.361	1339	19.192		
	14400	2578	947	5.873	1004	7.399	1056	8.935	1104	10.501	1150	12.111	1195	13.769	1239	15.482	1284	17.253	1328	19.081				
	15500	2775	1010	7.063	1065	8.706	1114	10.352	1160	12.021	1204	13.724	1247	15.469	1288	17.260	1330	19.103						
	16600	2972	1073	8.415	1126	10.178	1174	11.936	1218	13.711	1260	15.513	1300	17.349	1340	19.225								
	17700	3169	1137	9.942	1188	11.826	1234	13.699	1276	15.583	1316	17.486												
	18800	3366	1201	11.656	1250	13.658	1294	15.650	1335	17.645														
	19900	3563	1265	13.567	1312	15.690																		
21000	3760	1330	15.686																					
330-33	11100	1869	757	3.100	824	4.284	885	5.512	943	6.802	1000	8.166	1058	9.606	1116	11.122	1175	12.712	1233	14.370	1292	16.087		
	12300	2071	823	3.922	887	5.227	944	6.560	997	7.943	1050	9.386	1101	10.895	1153	12.473	1206	14.120	1258	15.835	1311	17.615		
	13400	2256	884	4.805	945	6.225	999	7.662	1050	9.136	1099	10.661	1147	12.242	1194	13.884	1242	15.589	1290	17.359	1338	19.191		
	14500	2441	946	5.824	1005	7.361	1056	8.905	1104	10.478	1150	12.091	1195	13.753	1240	15.467	1284	17.238	1327	19.065				
	15600	2626	1009	6.991	1065	8.647	1114	10.302	1160	11.977	1204	13.685	1247	15.433	1288	17.227	1329	19.070						
	16700	2812	1071	8.316	1125	10.092	1173	11.861	1218	13.642	1260	15.449	1300	17.288	1339	19.168								
	17800	2997	1135	9.810	1186	11.708	1233	13.593	1275	15.482	1316	17.392												
	18900	3182	1198	11.485	1248	13.503	1293	15.506	1334	17.509														
	20100	3384	1267	13.531	1315	15.682																		
	21200	3569	1331	15.620																				
330-34	11200	1776	758	3.104	826	4.297	887	5.530	945	6.825	1001	8.191	1059	9.633	1116	11.150	1174	12.740	1232	14.400	1290	16.121		
	12400	1967	824	3.916	888	5.231	945	6.571	999	7.959	1051	9.406	1102	10.917	1154	12.496	1205	14.144	1257	15.859	1310	17.640		
	13500	2141	885	4.788	947	6.218	1001	7.663	1051	9.142	1100	10.672	1147	12.255	1195	13.900	1242	15.606	1289	17.376	1337	19.207		
	14600	2316	946	5.792	1005	7.341	1057	8.893	1106	10.472	1151	12.091	1196	13.754	1240	15.472	1284	17.244	1328	19.074				
	15700	2490	1008	6.941	1065	8.608	1115	10.273	1161	11.955	1205	13.667	1247	15.419	1289	17.216	1330	19.062						
	16800	2665	1071	8.243	1125	10.032	1173	11.811	1218	13.599	1260	15.412	1300	17.256	1340	19.140								
	18000	2855	1139	9.852	1191	11.774	1238	13.680	1281	15.589	1321	17.517												
	19100	3029	1202	11.512	1252	13.556	1297	15.581	1339	17.605														
	20200	3204	1265	13.359	1313	15.525																		
	21300	3378	1328	15.405																				
330-35	11300	1691	761	3.114	829	4.316	889	5.556	946	6.855	1003	8.224	1059	9.668	1116	11.186	1174	12.780	1231	14.440	1289	16.164		
	12400	1856	820	3.847	885	5.161	942	6.499	996	7.884	1048	9.328	1099	10.836	1151	12.411	1203	14.055	1255	15.768	1307	17.544		
	13600	2036	886	4.782	948	6.223	1003	7.675	1053	9.162	1101	10.695	1149	12.283	1196	13.928	1243	15.637	1290	17.409	1337	19.241		
	14700	2200	947	5.774	1007	7.335	1059	8.896	1107	10.482	1153	12.104	1197	13.773	1241	15.493	1285	17.266	1328	19.099				
	15800	2365	1009	6.907	1066	8.588	1116	10.262	1162	11.952	1206	13.671	1249	15.426	1290	17.228	1331	19.076						
	17000	2544	1076	8.315	1131	10.129	1180	11.930	1224	13.737	1266	15.564	1306	17.424	1345	19.319								
	18100	2709	1138	9.776	1191	11.712	1238	13.630	1281	15.548	1322	17.483												
	19200	2874	1201	11.409	1252	13.468	1297	15.506	1339	17.539														
	20300	3038	1263	13.226	1313	15.407																		
	21500	3218	1332	15.430																				
330-36	11400	1613	763	3.129	831	4.341	891	5.587	949	6.891	1005	8.264	1061	9.710	1117	11.232	1174	12.826	1231	14.488	1288	16.214		
	12500	1768	823	3.857	888	5.182	945	6.528	998	7.919	1050	9.366	1101	10.877	1152	12.454	1203	14.101	1255	15.815	1307	17.594		
	13600	1924	883	4.702	945	6.144	1000	7.595	1050	9.078	1099	10.609	1146	12.193	1193	13.836	1240	15.541	1287	17.309	1334	19.139		
	14800	2094	949	5.768	1009	7.340	1061	8.911	1109	10.503	1155	12.133	1199	13.805	1243	15.529	1286	17.307	1329	19.141				
	15900	2249	1010	6.888	1067	8.583	1118	10.267	1164	11.965	1208	13.689	1250	15.451	1291	17.255	1332	19.107						
	17100	2419	1077	8.281	1132	10.109	1181	11.919	1225	13.735	1268	15.571	1308	17.436										
	18200	2575	1138	9.724	1192	11.674	1239	13.603	1282	15.532	1323	17.472												
	19300	2730	1200	11.335	1252	13.409	1298	15.459	1340	17.502														
	20500	2900	1268	13.299	1318	15.507																		
	21600	3056	1331	15.299																				
330-37	11400	1527	761	3.089	829	4.299	889	5.544	947	6.846	1003	8.217	1059	9.660	1115	11.179	1172	12.771	1229	14.431	1286	16.155		
	12600	1687	825	3.874	890	5.209	947	6.563	1001	7.960	1052	9.412	1103	10.926	1153	12.507	1204	14.156	1255	15.872	1307	17.652		
	13700	1835	885	4.713	948	6.167	1002	7.626	1053	9.117	1101	10.653	1148	12.242	1195	13.889	1241	15.596	1288	17.365	1335	19.197		
	14900	1996	950	5.772	1011	7.357	1063	8.937	1111	10.537	1157	12.172	1201	13.850	1245	15.579	1287	17.359	1330	19.195				
	16000	2143	1011	6.884	1069	8.590	1120	10.285	1166	11.990	1210	13.722	1252	15.490	1293	17.300	1334	19.155						
	17100	2290	1072	8.141	1128	9.971	1177	11.782	1222	13.597	1264	15.430	1305	17.293	1344	19.190								
	18300	2451	1139	9.691	1193	11.655	1240	13.596	1284	15.535	1325	17.483												
	19400	2598	1201	11.286	1253	13.373	1299	15.437	1341	17.491														
	20600	2759	1268	13.228	1318	15.450																		
21700	2906	1330	15.203																					

Performance certified is for installation Type A: Free inlet, Free outlet. Power rating (BHP) does not include transmission losses. Performance ratings do not include the effects of appurtenances (accessories).

365 AIR PERFORMANCE (PART 1 OF 4)

Model	CFM	OV	0.5"SP		1"SP		1.5"SP		2"SP		2.5"SP		3"SP		3.5"SP		4"SP		4.5"SP		5"SP		
			RPM	BHP	RPM	BHP	RPM	BHP	RPM	BHP	RPM	BHP	RPM	BHP	RPM	BHP	RPM	BHP	RPM	BHP	RPM	BHP	RPM
365-17	7000	4441	670	3.476	762	4.682	843	5.945	915	7.256	980	8.614	1039	10.018	1094	11.467							
	7700	4885	719	4.358	805	5.665	882	7.029	952	8.440	1016	9.894	1075	11.389	1129	12.927							
	8400	5329	768	5.395	849	6.804	923	8.269	991	9.781	1053	11.333	1111	12.925									
	9100	5773	819	6.603	894	8.111	965	9.679	1031	11.291	1092	12.943											
	9800	6217	871	7.995	941	9.604	1008	11.272	1072	12.986	1131	14.739											
	10500	6661	923	9.585	989	11.294	1053	13.063	1114	14.879													
	11200	7105	976	11.387	1038	13.197	1099	15.067															
	11900	7550	1029	13.415	1088	15.327																	
	12600	7994	1082	15.685																			
	13300	8438	1136	18.209																			
365-18	7700	4357	663	3.602	753	4.862	836	6.194	911	7.577	978	9.004	1040	10.475	1097	11.987							
	8500	4810	714	4.556	797	5.919	875	7.358	947	8.851	1013	10.388	1074	11.964	1131	13.579							
	9200	5206	759	5.534	836	6.987	910	8.518	980	10.107	1045	11.740	1105	13.412									
	10000	5659	812	6.831	884	8.388	953	10.023	1019	11.719	1082	13.461											
	10800	6112	866	8.335	932	9.995	998	11.733	1061	13.535	1121	15.385											
	11500	6508	914	9.834	976	11.584	1038	13.413	1098	15.306													
	12300	6960	969	11.771	1027	13.625	1085	15.556															
	13100	7413	1025	13.962	1079	15.920	1134	17.956															
	13800	7809	1074	16.100	1126	18.151																	
	14600	8262	1130	18.813																			
365-19	8300	4215	655	3.629	741	4.912	823	6.288	900	7.727	969	9.213	1033	10.742	1093	12.310							
	9100	4622	702	4.514	781	5.889	858	7.361	931	8.901	999	10.493	1062	12.126	1121	13.797							
	10000	5079	756	5.692	828	7.171	899	8.747	968	10.398	1034	12.104	1095	13.857									
	10800	5485	806	6.916	872	8.488	939	10.156	1004	11.901	1066	13.707	1126	15.562									
	11600	5891	856	8.321	918	9.986	980	11.745	1041	13.583	1101	15.487											
	12500	6349	913	10.133	970	11.905	1028	13.766	1085	15.709													
	13300	6755	964	11.965	1018	13.831	1072	15.786	1126	17.819													
	14100	7161	1016	14.018	1067	15.981	1118	18.028															
	15000	7618	1075	16.609	1122	18.681																	
	15800	8025	1127	19.178																			
365-20	8900	4079	652	3.683	732	4.978	812	6.385	889	7.871	960	9.414	1026	11.002	1087	12.630							
	9700	4446	697	4.519	770	5.896	844	7.386	916	8.962	985	10.603	1050	12.292	1110	14.021							
	10600	4859	748	5.620	816	7.093	883	8.675	951	10.347	1016	12.090	1078	13.889	1138	15.732							
	11500	5271	801	6.906	863	8.476	925	10.150	988	11.915	1049	13.757	1109	15.660									
	12400	5684	854	8.393	911	10.061	969	11.828	1027	13.686	1085	15.622											
	13300	6096	908	10.097	961	11.864	1015	13.725	1069	15.675	1123	17.704											
	14200	6509	963	12.033	1013	13.901	1063	15.857	1113	17.899													
	15000	6875	1011	13.961	1059	15.919	1106	17.963															
	15900	7288	1067	16.377	1111	18.437																	
	16800	7701	1122	19.071																			
365-21	9300	3866	643	3.584	720	4.869	797	6.276	873	7.778	945	9.348	1012	10.969	1075	12.633	1133	14.333					
	10300	4282	697	4.567	766	5.949	836	7.449	905	9.048	973	10.726	1038	12.464	1099	14.249							
	11200	4656	746	5.612	810	7.084	874	8.667	938	10.350	1001	12.118	1063	13.955	1123	15.844							
	12100	5031	797	6.823	855	8.386	914	10.054	973	11.821	1033	13.674	1091	15.602									
	13100	5446	853	8.378	907	10.045	961	11.810	1016	13.669	1071	15.615	1126	17.638									
	14000	5821	905	9.981	955	11.743	1006	13.597	1057	15.541	1108	17.569											
	14900	6195	956	11.790	1004	13.649	1051	15.594	1099	17.624													
	15900	6610	1015	14.059	1059	16.027	1103	18.073															
	16800	6985	1067	16.348	1109	18.413																	
	17700	7359	1120	18.883																			
365-22	9700	3675	640	3.531	713	4.809	787	6.213	860	7.725	932	9.317	1000	10.969	1063	12.667	1123	14.405					
	10700	4053	691	4.452	757	5.824	824	7.313	891	8.910	958	10.597	1022	12.354	1085	14.168							
	11700	4432	744	5.542	804	7.009	865	8.586	926	10.267	988	12.041	1049	13.895	1108	15.813							
	12700	4811	798	6.815	853	8.382	909	10.049	965	11.815	1022	13.674	1078	15.616	1134	17.629							
	13600	5152	847	8.132	898	9.790	950	11.540	1003	13.383	1056	15.319	1108	17.336									
	14600	5531	901	9.798	950	11.558	998	13.404	1047	15.337	1096	17.356											
	15600	5910	957	11.693	1002	13.557	1047	15.500	1093	17.526													
	16600	6288	1012	13.833	1055	15.801	1097	17.844															
	17500	6629	1063	15.980	1103	18.045																	
	18500	7008	1119	18.626																			
365-23	10100	3501	639	3.513	709	4.791	780	6.193	851	7.710	921	9.318	989	10.996	1053	12.727	1114	14.502					
	11100	3847	689	4.388	753	5.757	817	7.240	882	8.834	946	10.526	1010	12.298	1072	14.135	1131	16.022					
	12100	4194	740	5.416	799	6.879	857	8.447	916	10.118	976	11.889	1035	13.745	1094	15.675							
	13200	4575	797	6.740	851	8.310	905	9.974	958	11.735	1013	13.589	1067	15.532	1121	17.555							
	14200	4922	850	8.134	900	9.803	950	11.557	999	13.402	1050	15.336	1100	17.356									
	15200	5268	903	9.723	950	11.493	996	13.341	1043	15.272	1089	17.288	1136	19.386									
	16200	5615	956	11.521	1000	13.393	1044	15.336	1087	17.358	1131	19.458											
	17200	5961	1010	13.541	1052	15.516	1093	17.557	1134	19.670													
	18200	6308	1064	15.797	1103	17.876																	
	19200	6655	1118	18.302																			

Performance certified is for installation Type A: Free inlet, Free outlet. Power rating (BHP) does not include transmission losses. Performance ratings do not include the effects of appurtenances (accessories).

365 AIR PERFORMANCE (PART 2 OF 4)

Model	CFM	OV	0.5"SP		1"SP		1.5"SP		2"SP		2.5"SP		3"SP		3.5"SP		4"SP		4.5"SP		5"SP		
			RPM	BHP	RPM	BHP	RPM	BHP	RPM	BHP	RPM	BHP	RPM	BHP	RPM	BHP	RPM	BHP	RPM	BHP	RPM	BHP	RPM
365-24	10500	3342	642	3.525	709	4.808	777	6.212	845	7.731	913	9.351	980	11.051	1044	12.813	1105	14.623					
	11500	3661	690	4.366	752	5.739	813	7.221	876	8.813	938	10.507	1000	12.289	1062	14.146	1121	16.060					
	12500	3979	740	5.347	797	6.813	853	8.378	910	10.044	967	11.811	1025	13.668	1082	15.607							
	13600	4329	795	6.604	848	8.176	900	9.836	952	11.589	1004	13.436	1057	15.373	1110	17.392							
	14600	4647	846	7.920	895	9.590	944	11.341	992	13.176	1041	15.099	1090	17.108									
	15700	4997	903	9.575	949	11.354	994	13.206	1039	15.136	1084	17.146	1129	19.238									
	16700	5316	954	11.280	998	13.161	1041	15.107	1083	17.126	1125	19.219											
	17800	5666	1011	13.391	1053	15.383	1093	17.436	1133	19.555													
	18800	5984	1064	15.537	1103	17.633																	
	19900	6334	1121	18.164																			
365-25	10800	3168	641	3.487	707	4.772	773	6.172	839	7.689	906	9.311	971	11.020	1035	12.798	1097	14.630					
	11800	3462	689	4.290	749	5.664	809	7.142	870	8.728	930	10.418	991	12.201	1052	14.063	1111	15.991					
	12900	3784	742	5.323	798	6.800	853	8.368	907	10.034	963	11.799	1018	13.658	1074	15.602	1130	17.620					
	14000	4107	796	6.528	848	8.111	898	9.773	949	11.525	1000	13.368	1051	15.300	1102	17.319							
	15100	4430	850	7.919	899	9.609	946	11.371	993	13.213	1040	15.138	1087	17.148	1134	19.241							
	16100	4723	900	9.358	946	11.147	991	13.002	1035	14.928	1078	16.932	1122	19.016									
	17200	5046	956	11.145	999	13.044	1041	15.002	1082	17.026	1123	19.121											
	18300	5368	1011	13.160	1052	15.171	1092	17.235	1131	19.360													
	19400	5691	1067	15.419	1106	17.541																	
	20400	5984	1118	17.694																			
365-26	11000	2983	638	3.404	703	4.686	768	6.080	832	7.589	898	9.206	963	10.915	1027	12.699	1088	14.541					
	12100	3282	689	4.248	749	5.629	808	7.108	866	8.691	925	10.378	985	12.162	1044	14.030	1102	15.969					
	13200	3580	741	5.239	797	6.722	850	8.291	904	9.954	958	11.713	1012	13.568	1066	15.510	1121	17.531					
	14300	3878	794	6.390	846	7.978	896	9.642	945	11.390	994	13.226	1044	15.152	1094	17.165							
	15400	4177	847	7.713	896	9.409	942	11.172	988	13.009	1034	14.927	1080	16.928	1126	19.011							
	16500	4475	901	9.223	946	11.028	990	12.892	1034	14.824	1076	16.829	1119	18.909									
	17600	4774	954	10.931	998	12.848	1040	14.815	1080	16.845	1121	18.940											
	18800	5099	1014	13.039	1055	15.076	1094	17.159	1133	19.298													
	19900	5397	1068	15.207	1107	17.357																	
	21000	5696	1123	17.615																			
365-27	11300	2842	641	3.414	705	4.707	768	6.105	831	7.616	894	9.235	958	10.951	1021	12.748	1082	14.610					
	12400	3119	692	4.234	751	5.627	808	7.110	865	8.694	922	10.380	980	12.165	1038	14.038	1096	15.988					
	13500	3395	742	5.192	797	6.687	850	8.261	903	9.925	955	11.683	1008	13.535	1061	15.476	1114	17.500					
	14700	3697	799	6.409	850	8.020	899	9.698	947	11.454	995	13.296	1043	15.224	1092	17.238							
	15800	3974	851	7.694	899	9.413	945	11.190	990	13.038	1035	14.961	1080	16.964	1125	19.050							
	16900	4250	903	9.154	949	10.983	993	12.862	1035	14.805	1077	16.814	1119	18.898									
	18000	4527	956	10.802	999	12.741	1041	14.726	1081	16.766	1121	18.868											
	19200	4829	1014	12.828	1055	14.889	1094	16.989	1132	19.139													
	20300	5106	1067	14.907	1106	17.081																	
	21400	5382	1120	17.209																			
365-28	11500	2689	641	3.376	705	4.674	766	6.071	828	7.579	890	9.196	953	10.912	1015	12.713	1075	14.583	1134	16.509			
	12700	2970	695	4.244	753	5.651	810	7.143	865	8.730	921	10.419	977	12.205	1034	14.082	1090	16.041					
	13800	3227	745	5.176	800	6.687	852	8.270	903	9.939	954	11.698	1006	13.550	1058	15.491	1110	17.517					
	15000	3508	800	6.356	851	7.983	900	9.671	947	11.433	994	13.277	1042	15.204	1089	17.217	1137	19.313					
	16100	3765	851	7.598	900	9.333	946	11.122	990	12.975	1034	14.902	1078	16.904	1122	18.986							
	17300	4046	907	9.142	953	10.998	996	12.898	1038	14.856	1080	16.877	1120	18.969									
	18400	4303	959	10.742	1003	12.710	1044	14.715	1084	16.771	1123	18.885											
	19600	4584	1015	12.704	1057	14.794	1097	16.917	1135	19.083													
	20700	4841	1068	14.712	1108	16.915																	
	21900	5122	1125	17.145																			
365-29	11700	2551	642	3.355	705	4.660	766	6.060	826	7.567	887	9.183	949	10.899	1010	12.704	1070	14.582	1129	16.521			
	12900	2812	695	4.197	753	5.613	809	7.107	864	8.694	919	10.380	974	12.165	1030	14.040	1085	16.000					
	14000	3052	744	5.099	799	6.619	851	8.206	901	9.873	952	11.630	1002	13.478	1054	15.417	1105	17.440					
	15200	3314	798	6.236	850	7.873	898	9.565	945	11.328	992	13.169	1038	15.092	1085	17.100	1132	19.191					
	16400	3575	853	7.546	902	9.302	947	11.105	992	12.968	1035	14.900	1078	16.906	1121	18.989							
	17600	3837	908	9.044	954	10.922	998	12.837	1039	14.805	1080	16.833	1120	18.928									
	18700	4077	958	10.592	1003	12.582	1045	14.604	1084	16.672	1123	18.792											
	19900	4338	1014	12.485	1057	14.599	1096	16.739	1134	18.918													
	21100	4600	1070	14.606	1111	16.844																	
	22200	4840	1122	16.760																			
365-30	11900	2424	644	3.349	707	4.664	766	6.069	826	7.578	886	9.193	946	10.910	1006	12.719	1066	14.605	1124	16.554			
	13100	2669	696	4.171	754	5.597	809	7.097	863	8.687	917	10.372	972	12.155	1026	14.031	1081	15.993	1136	18.030			
	14300	2913	749	5.133	804	6.675	855	8.276	905	9.955	954	11.718	1003	13.571	1053	15.513	1103	17.540					
	15500	3158	802	6.249	854	7.909	902	9.617	949	11.392	994	13.241	1040	15.169	1085	17.182	1131	19.275					
	16700	3402	856	7.532	905	9.312	951	11.131	994	13.007	1037	14.948	1079	16.960	1122	19.047							
	17800	3626	905	8.863	952	10.756	996	12.680	1038	14.653	1078	16.683	1118	18.778									
	19000	3871	960	10.500	1005	12.516	1046	14.556	1086	16.638	1125	18.770											
	20200	4115	1014	12.339	1058	14.479	1097	16.639	1135	18.834													
	21400	4360	1069	14.393	1111	16.659																	
	22600	4604	1125	16.677																			

Performance certified is for installation Type A: Free inlet, Free outlet. Power rating (BHP) does not include transmission losses. Performance ratings do not include the effects of appurtenances (accessories).

365 AIR PERFORMANCE (PART 4 OF 4)

Model	CFM	OV	0.5"SP		1"SP		1.5"SP		2"SP		2.5"SP		3"SP		3.5"SP		4"SP		4.5"SP		5"SP	
			RPM	BHP	RPM	BHP	RPM	BHP	RPM	BHP	RPM	BHP	RPM	BHP	RPM	BHP	RPM	BHP	RPM	BHP	RPM	BHP
365-38	12900	1638	652	3.303	716	4.682	773	6.123	828	7.649	883	9.271	938	10.991	993	12.808	1049	14.715	1105	16.701		
	14200	1803	705	4.087	765	5.596	818	7.147	869	8.767	919	10.469	969	12.258	1019	14.136	1069	16.104	1120	18.156		
	15500	1968	757	5.001	815	6.644	866	8.314	913	10.037	960	11.828	1005	13.696	1051	15.645	1096	17.676				
	16700	2120	806	5.969	862	7.739	910	9.523	956	11.349	999	13.232	1042	15.181	1084	17.202	1127	19.298				
	18000	2285	860	7.164	913	9.074	960	10.986	1003	12.929	1045	14.919	1085	16.964	1124	19.072						
	19300	2451	914	8.522	965	10.574	1010	12.620	1052	14.685	1091	16.787	1130	18.936								
	20600	2616	968	10.054	1017	12.250	1061	14.432	1101	16.625												
	21900	2781	1022	11.775	1070	14.115	1112	16.434														
23200	2946	1077	13.693	1123	16.177																	
24500	3111	1132	15.822																			
365-39	13000	1567	654	3.313	718	4.701	775	6.147	829	7.677	883	9.300	938	11.023	993	12.841	1048	14.750	1104	16.740		
	14300	1724	706	4.091	766	5.610	820	7.167	870	8.792	920	10.497	969	12.288	1019	14.168	1069	16.137	1119	18.190		
	15500	1868	754	4.923	812	6.565	863	8.232	911	9.953	957	11.741	1003	13.606	1048	15.550	1094	17.577				
	16800	2025	807	5.955	863	7.736	912	9.528	957	11.360	1000	13.248	1043	15.199	1085	17.223	1127	19.320				
	18100	2182	860	7.136	914	9.059	961	10.980	1004	12.930	1046	14.924	1086	16.975	1125	19.085						
	19400	2339	914	8.478	965	10.543	1011	12.599	1053	14.671	1092	16.780	1130	18.932								
	20700	2495	967	9.991	1017	12.201	1061	14.392	1102	16.594												
	22000	2652	1022	11.688	1070	14.041	1113	16.373														
23300	2809	1076	13.578	1122	16.076																	
24600	2965	1131	15.675																			
365-40	13000	1490	652	3.272	716	4.660	773	6.103	828	7.631	882	9.252	936	10.971	991	12.786	1047	14.693	1102	16.679		
	14300	1639	703	4.037	764	5.555	818	7.111	869	8.732	918	10.434	968	12.222	1017	14.099	1067	16.065	1117	18.115		
	15600	1788	755	4.926	814	6.580	865	8.255	913	9.981	959	11.773	1004	13.641	1049	15.588	1095	17.616				
	16900	1937	808	5.951	864	7.744	913	9.544	958	11.382	1002	13.274	1044	15.231	1086	17.256	1128	19.356				
	18200	2086	861	7.121	915	9.056	962	10.987	1006	12.944	1047	14.944	1087	16.997	1126	19.112						
	19500	2235	914	8.449	966	10.528	1012	12.593	1054	14.674	1093	16.788	1131	18.946								
	20800	2384	968	9.946	1018	12.169	1062	14.372	1103	16.581												
	22100	2532	1021	11.622	1070	13.990	1113	16.334														
23400	2681	1075	13.490	1122	16.004																	
24700	2830	1130	15.560																			
365-41	13100	1429	654	3.290	718	4.687	775	6.137	829	7.668	883	9.293	937	11.014	992	12.832	1047	14.741	1101	16.731		
	14400	1571	705	4.052	766	5.580	820	7.143	870	8.770	920	10.476	969	12.267	1018	14.147	1067	16.114	1117	18.167		
	15700	1712	757	4.937	816	6.601	867	8.284	914	10.016	960	11.814	1005	13.685	1050	15.634	1095	17.664				
	17000	1854	809	5.955	866	7.759	915	9.568	960	11.413	1003	13.311	1045	15.271	1087	17.300	1129	19.403				
	18300	1996	862	7.117	916	9.063	964	11.004	1007	12.968	1048	14.974	1088	17.032	1127	19.152						
	19600	2138	915	8.434	967	10.525	1013	12.600	1055	14.690	1095	16.810	1133	18.974								
	20900	2280	968	9.916	1019	12.153	1063	14.367	1104	16.585												
	22200	2421	1022	11.577	1070	13.959	1114	16.314														
23500	2563	1075	13.426	1123	15.953																	
24900	2716	1134	15.640																			
365-42	13100	1362	652	3.258	717	4.653	774	6.102	828	7.631	882	9.254	936	10.973	990	12.788	1045	14.696	1100	16.684		
	14500	1507	707	4.072	768	5.610	822	7.180	872	8.813	921	10.523	970	12.317	1019	14.199	1068	16.169	1117	18.224		
	15800	1642	759	4.953	818	6.628	869	8.319	916	10.058	962	11.861	1007	13.735	1051	15.688	1096	17.721				
	17100	1777	811	5.966	867	7.782	917	9.600	962	11.452	1005	13.356	1047	15.321	1088	17.354	1130	19.460				
	18400	1912	863	7.121	918	9.080	965	11.030	1009	13.003	1050	15.015	1090	17.079	1129	19.202						
	19700	2048	916	8.429	969	10.534	1015	12.620	1057	14.717	1096	16.845	1134	19.015								
	21000	2183	969	9.902	1020	12.152	1065	14.377	1105	16.604												
	22300	2318	1022	11.549	1071	13.944	1115	16.312														
23600	2453	1076	13.381	1123	15.923																	
25000	2598	1134	15.576																			
365-43	13200	1309	655	3.282	719	4.687	776	6.142	830	7.677	883	9.303	937	11.025	991	12.843	1045	14.752	1100	16.744		
	14500	1438	706	4.033	767	5.571	821	7.139	871	8.770	920	10.478	969	12.270	1017	14.150	1067	16.117	1116	18.170		
	15800	1567	757	4.902	816	6.578	867	8.268	915	10.005	960	11.804	1005	13.678	1050	15.628	1095	17.659				
	17100	1696	809	5.901	866	7.718	915	9.535	960	11.386	1003	13.288	1045	15.251	1087	17.282	1128	19.383				
	18500	1834	865	7.133	920	9.106	967	11.065	1011	13.046	1052	15.065	1091	17.135	1130	19.262						
	19800	1963	917	8.435	970	10.553	1016	12.649	1059	14.756	1098	16.891	1136	19.067								
	21100	2092	970	9.899	1021	12.162	1066	14.399	1107	16.636												
	22400	2221	1023	11.535	1073	13.945	1116	16.324														
23700	2350	1076	13.356	1124	15.911																	
25100	2489	1134	15.535																			
365-44	13200	1250	654	3.256	718	4.660	775	6.115	829	7.648	882	9.272	936	10.993	990	12.809	1044	14.716	1099	16.707		
	14600	1383	708	4.060	769	5.608	823	7.184	873	8.822	922	10.535	970	12.331	1019	14.214	1067	16.183	1116	18.239		
	15900	1506	759	4.928	818	6.614	870	8.314	917	10.057	962	11.863	1007	13.740	1051	15.694	1096	17.727				
	17200	1629	811	5.925	868	7.753	917	9.580	962	11.439	1006	13.347	1047	15.315	1089	17.349	1130	19.455				
	18500	1752	862	7.060	918	9.033	966	10.993	1009	12.972	1050	14.990	1090	17.058	1129	19.182						
	19800	1875	915	8.345	968	10.464	1015	12.560	1057	14.667	1096	16.801	1134	18.975								
	21200	2008	971	9.908	1023	12.184	1068	14.432	1109	16.679												
	22500	2131	1024	11.536	1074	13.958	1118	16.350														
23800	2254	1077	13.346	1125	15.914																	
25100	2377	1131	15.350																			

Performance

402 AIR PERFORMANCE (PART 1 OF 4)

Model	CFM	OV	0.5" SP		1" SP		1.5" SP		2" SP		2.5" SP		3" SP		3.5" SP		4" SP		4.5" SP		5" SP			
			RPM	BHP	RPM	BHP	RPM	BHP	RPM	BHP	RPM	BHP	RPM	BHP	RPM	BHP	RPM	BHP	RPM	BHP	RPM	BHP	RPM	BHP
402-21	9500	3950	567	3.816	649	5.306	727	6.905	798	8.577	862	10.306	920	12.087										
	10400	4324	605	4.702	681	6.295	755	8.004	823	9.791	886	11.638	944	13.535										
	11400	4740	650	5.860	719	7.567	787	9.393	853	11.306	914	13.284												
	12300	5114	690	7.073	755	8.883	819	10.813	881	12.835	940	14.926												
	13300	5529	736	8.625	796	10.551	855	12.595	914	14.734														
	14200	5904	778	10.221	834	12.252	890	14.398	945	16.641														
	15200	6319	826	12.230	878	14.378	930	16.638																
	16100	6694	869	14.265	918	16.521	967	18.883																
	17100	7109	917	16.793	963	19.168																		
18000	7484	960	19.323																					
402-22	10100	3826	563	3.848	642	5.352	718	6.987	789	8.711	855	10.498	915	12.338										
	11100	4205	604	4.787	675	6.394	746	8.136	814	9.978	878	11.890	938	13.858										
	12100	4584	646	5.890	712	7.602	777	9.448	841	11.400	902	13.432	961	15.525										
	13100	4962	689	7.172	750	8.989	810	10.938	870	12.998	929	15.144												
	14100	5341	733	8.646	789	10.572	845	12.624	901	14.787	957	17.042												
	15100	5720	778	10.328	830	12.363	882	14.519	935	16.784														
	16100	6099	823	12.232	871	14.378	920	16.640																
	17100	6478	868	14.372	914	16.630	960	18.998																
	18100	6857	913	16.764	957	19.136																		
19100	7235	959	19.421																					
402-23	10600	3674	559	3.824	634	5.327	708	6.977	779	8.734	846	10.564	907	12.451	964	14.388								
	11600	4020	599	4.709	666	6.308	735	8.053	802	9.914	866	11.860	926	13.869										
	12700	4402	643	5.852	705	7.560	767	9.407	829	11.376	890	13.441	948	15.578										
	13700	4748	685	7.060	742	8.868	799	10.810	857	12.873	914	15.039												
	14800	5130	731	8.588	783	10.510	837	12.558	890	14.724	944	16.995												
	15800	5476	773	10.174	823	12.200	872	14.345	922	16.605														
	16900	5857	820	12.148	866	14.291	913	16.545	959	18.911														
	17900	6204	864	14.165	907	16.416	951	18.773																
	19000	6585	912	16.647	952	19.017																		
20100	6966	960	19.416																					
402-24	11000	3501	555	3.755	626	5.249	698	6.899	769	8.670	836	10.528	898	12.449	956	14.422								
	12100	3852	597	4.676	661	6.271	727	8.015	792	9.888	855	11.861	916	13.909										
	13200	4202	640	5.758	699	7.457	758	9.298	819	11.267	878	13.345	936	15.508										
	14300	4552	684	7.017	738	8.823	793	10.761	848	12.825	904	15.000	958	17.271										
	15400	4902	728	8.466	779	10.382	829	12.421	881	14.579	932	16.850												
	16500	5252	773	10.120	820	12.147	868	14.289	915	16.545	963	18.910												
	17600	5602	819	11.993	863	14.134	907	16.381	951	18.736														
	18700	5952	864	14.099	906	16.356	948	18.711																
	19800	6303	910	16.453	950	18.826																		
20900	6653	957	19.070																					
402-25	11400	3344	553	3.719	621	5.208	691	6.857	760	8.639	827	10.520	889	12.473	948	14.482								
	12500	3667	594	4.593	656	6.181	719	7.918	783	9.791	845	11.775	906	13.845	963	15.979								
	13700	4019	639	5.716	696	7.415	753	9.251	811	11.219	869	13.305	926	15.488										
	14800	4342	682	6.914	734	8.718	787	10.648	840	12.704	894	14.878	947	17.156										
	16000	4694	729	8.420	778	10.341	826	12.378	875	14.533	925	16.802												
	17100	5016	772	9.995	818	12.027	864	14.165	909	16.413	955	18.771												
	18200	5339	816	11.772	859	13.915	902	16.156	945	18.501														
	19400	5691	864	13.954	905	16.219	945	18.577																
	20500	6014	909	16.191	947	18.571																		
21700	6366	958	18.907																					
402-26	11800	3200	553	3.711	619	5.201	686	6.849	753	8.637	819	10.538	882	12.519	941	14.564								
	12900	3499	593	4.549	653	6.136	714	7.869	776	9.740	837	11.732	897	13.820	955	15.981								
	14100	3824	637	5.620	693	7.317	748	9.145	804	11.106	860	13.189	916	15.379										
	15300	4150	682	6.868	734	8.678	785	10.608	836	12.660	887	14.832	939	17.114										
	16500	4475	728	8.307	776	10.233	823	12.268	870	14.417	918	16.679	966	19.049										
	17600	4774	770	9.807	815	11.842	860	13.976	904	16.216	948	18.563												
	18800	5099	817	11.655	859	13.809	901	16.055	942	18.398														
	20000	5424	864	13.736	904	16.012	943	18.372																
	21200	5750	911	16.068	949	18.466																		
22300	6048	954	18.437																					
402-27	12100	3043	552	3.658	616	5.146	681	6.788	747	8.574	812	10.481	874	12.479	934	14.545								
	13300	3345	594	4.537	653	6.130	712	7.861	771	9.732	831	11.729	890	13.831	947	16.017								
	14500	3647	638	5.568	692	7.269	745	9.096	800	11.052	854	13.133	909	15.327	963	17.615								
	15700	3949	682	6.763	732	8.577	781	10.503	831	12.549	881	14.714	932	16.992										
	16900	4250	726	8.135	773	10.064	819	12.095	865	14.236	912	16.488	958	18.849										
	18100	4552	771	9.698	815	11.745	858	13.884	901	16.122	945	18.466												
	19300	4854	816	11.466	858	13.632	899	15.882	939	18.223														
	20500	5156	862	13.451	901	15.737	940	18.101																
	21700	5458	908	15.667	945	18.076																		
23000	5785	958	18.344																					

Performance certified is for installation Type A: Free inlet, Free outlet. Power rating (BHP) does not include transmission losses. Performance ratings do not include the effects of appurtenances (accessories).

402 AIR PERFORMANCE (PART 2 OF 4)

Model	CFM	OV	0.5" SP		1" SP		1.5" SP		2" SP		2.5" SP		3" SP		3.5" SP		4" SP		4.5" SP		5" SP			
			RPM	BHP	RPM	BHP	RPM	BHP	RPM	BHP	RPM	BHP	RPM	BHP	RPM	BHP	RPM	BHP	RPM	BHP	RPM	BHP	RPM	BHP
402-28	12400	2900	552	3.630	615	5.119	678	6.758	742	8.544	806	10.455	868	12.467	928	14.554								
	13600	3181	593	4.476	651	6.069	709	7.797	766	9.662	825	11.657	883	13.763	940	15.960								
	14900	3485	639	5.551	693	7.263	745	9.093	797	11.049	850	13.129	903	15.325	956	17.624								
	16100	3765	682	6.704	732	8.529	780	10.458	829	12.503	878	14.664	927	16.940										
	17300	4046	726	8.023	772	9.963	818	11.997	863	14.136	908	16.383	953	18.738										
	18600	4350	773	9.655	817	11.721	860	13.872	902	16.117	943	18.461												
	19800	4630	818	11.359	859	13.544	899	15.807	939	18.154														
	21000	4911	862	13.267	902	15.573	940	17.948																
	22300	5215	911	15.579	948	18.016																		
	23500	5496	956	17.951																				
402-29	12700	2769	553	3.622	615	5.117	676	6.756	739	8.541	801	10.458	863	12.481	922	14.587								
	13900	3030	594	4.441	651	6.040	707	7.768	763	9.631	820	11.623	877	13.733	934	15.940								
	15200	3314	639	5.478	692	7.196	743	9.026	794	10.978	846	13.053	898	15.246	950	17.547								
	16400	3575	681	6.586	730	8.417	778	10.347	826	12.387	873	14.542	921	16.810										
	17700	3859	727	7.963	774	9.919	818	11.961	862	14.103	906	16.350	950	18.703										
	19000	4142	774	9.537	817	11.620	859	13.779	901	16.028	942	18.372												
	20200	4404	817	11.176	859	13.378	898	15.650	937	18.001														
	21500	4687	864	13.169	904	15.501	941	17.896																
	22800	4971	912	15.400	949	17.865																		
	24000	5232	956	17.685																				
402-30	12900	2628	552	3.569	613	5.065	674	6.700	735	8.480	796	10.395	857	12.421	916	14.536								
	14200	2893	595	4.429	652	6.038	707	7.769	762	9.632	817	11.625	873	13.738	929	15.954								
	15500	3158	640	5.436	692	7.165	743	8.998	793	10.950	843	13.023	894	15.214	946	17.515								
	16800	3422	684	6.604	734	8.455	781	10.398	827	12.445	873	14.603	920	16.875										
	18100	3687	730	7.945	776	9.922	820	11.978	863	14.128	906	16.378	949	18.733										
	19400	3952	775	9.473	819	11.578	861	13.752	901	16.010	941	18.359												
	20600	4197	818	11.061	860	13.286	899	15.571	938	17.933														
	21900	4461	864	12.985	904	15.341	942	17.750																
	23200	4726	911	15.136	949	17.624																		
	24500	4991	957	17.525																				
402-31	13100	2499	552	3.535	613	5.034	672	6.667	732	8.445	792	10.357	853	12.387	912	14.510								
	14400	2747	594	4.366	651	5.981	705	7.710	759	9.568	814	11.557	869	13.666	924	15.883								
	15800	3014	641	5.419	694	7.162	743	9.003	793	10.958	842	13.030	892	15.222	942	17.524								
	17100	3262	685	6.555	734	8.422	781	10.373	827	12.423	872	14.582	918	16.851	964	19.229								
	18400	3510	730	7.856	776	9.849	820	11.915	863	14.068	905	16.319	947	18.672										
	19700	3759	775	9.334	819	11.456	860	13.640	900	15.901	940	18.251												
	21000	4007	820	11.002	862	13.254	901	15.560	939	17.934														
	22300	4255	865	12.872	905	15.256	943	17.685																
	23600	4503	911	14.957	949	17.473																		
	24900	4751	957	17.268																				
402-32	13300	2381	552	3.515	613	5.020	671	6.655	730	8.430	790	10.342	849	12.375	908	14.504								
	14700	2632	598	4.392	653	6.022	707	7.760	760	9.624	813	11.615	867	13.729	921	15.953								
	16000	2865	640	5.346	693	7.096	742	8.939	791	10.892	840	12.962	889	15.149	938	17.448								
	17300	3098	684	6.445	733	8.320	780	10.273	825	12.322	870	14.477	915	16.742	960	19.114								
	18700	3348	731	7.804	778	9.816	821	11.894	863	14.055	905	16.310	947	18.663										
	20000	3581	775	9.242	820	11.383	861	13.580	901	15.850	940	18.204												
	21300	3814	820	10.860	862	13.133	901	15.453	939	17.837														
	22700	4064	868	12.819	908	15.235	946	17.689																
	24000	4297	913	14.850	951	17.400																		
	25300	4530	958	17.099																				
402-33	13500	2273	553	3.507	614	5.021	671	6.658	729	8.434	788	10.346	846	12.382	905	14.519	961	16.738						
	14900	2509	598	4.365	654	6.004	707	7.746	759	9.610	811	11.600	865	13.713	918	15.938								
	16200	2727	640	5.295	693	7.055	742	8.903	790	10.856	838	12.924	887	15.109	935	17.406								
	17600	2963	686	6.452	736	8.347	782	10.314	827	12.373	871	14.533	915	16.801	960	19.176								
	18900	3182	730	7.682	777	9.706	820	11.789	862	13.953	904	16.206	945	18.557										
	20300	3418	776	9.188	821	11.353	863	13.565	902	15.848	941	18.209												
	21700	3653	824	10.895	866	13.203	906	15.549	943	17.955														
	23000	3872	868	12.673	909	15.114	947	17.587																
	24400	4108	915	14.806	955	17.394																		
	25700	4327	960	17.004																				
402-34	13700	2173	555	3.511	615	5.034	672	6.676	729	8.453	786	10.367	844	12.405	902	14.549	958	16.779						
	15100	2395	599	4.353	655	6.003	707	7.751	759	9.617	811	11.607	863	13.720	915	15.947								
	16500	2617	644	5.339	697	7.120	745	8.982	793	10.947	840	13.022	887	15.211	935	17.512								
	17800	2823	686	6.392	736	8.301	782	10.276	826	12.339	870	14.500	914	16.767	958	19.139								
	19200	3045	732	7.690	780	9.738	823	11.839	865	14.015	905	16.278	946	18.635										
	20600	3267	779	9.168	824	11.358	865	13.590	904	15.885	943	18.257												
	21900	3473	822	10.714	865	13.038	905	15.395	942	17.805														
	23300	3695	869	12.578	910	15.046	948	17.541																
	24700	3918	916	14.660	955	17.275																		
	26100	4140	963	16.975																				

Performance certified is for installation Type A: Free inlet, Free outlet. Power rating (BHP) does not include transmission losses. Performance ratings do not include the effects of appurtenances (accessories).

402 AIR PERFORMANCE (PART 3 OF 4)

Model	CFM	OV	0.5" SP		1" SP		1.5" SP		2" SP		2.5" SP		3" SP		3.5" SP		4" SP		4.5" SP		5" SP		
			RPM	BHP	RPM	BHP	RPM	BHP	RPM	BHP	RPM	BHP	RPM	BHP	RPM	BHP	RPM	BHP	RPM	BHP	RPM	BHP	RPM
402-35	13900	2080	557	3.524	617	5.058	673	6.706	729	8.487	786	10.402	843	12.443	900	14.594	955	16.834					
	15300	2290	601	4.354	657	6.016	709	7.771	759	9.640	810	11.633	862	13.746	914	15.976	966	18.308					
	16600	2485	642	5.248	695	7.034	744	8.896	791	10.857	838	12.928	885	15.112	932	17.408							
	18000	2694	687	6.355	737	8.278	783	10.262	827	12.331	870	14.495	913	16.762	957	19.134							
	19400	2904	732	7.624	780	9.689	824	11.800	865	13.982	905	16.249	946	18.607									
	20800	3113	778	9.068	824	11.275	865	13.519	904	15.821	943	18.198											
	22200	3323	824	10.698	868	13.051	907	15.430	945	17.858													
	23600	3532	870	12.527	912	15.027	950	17.544															
	25000	3742	917	14.568	957	17.215																	
	26400	3951	963	16.832																			
402-36	14000	1981	557	3.491	616	5.029	672	6.678	728	8.456	784	10.369	841	12.409	897	14.559	953	16.802					
	15400	2179	600	4.302	656	5.969	708	7.725	758	9.593	809	11.582	860	13.693	911	15.919	963	18.251					
	16800	2377	644	5.247	697	7.048	745	8.920	792	10.887	838	12.961	885	15.147	931	17.445							
	18200	2575	688	6.336	739	8.276	784	10.271	827	12.346	871	14.515	914	16.784	957	19.157							
	19600	2773	733	7.583	781	9.664	825	11.788	866	13.978	906	16.250	946	18.611									
	21000	2971	778	8.997	824	11.223	866	13.479	905	15.792	943	18.174											
	22400	3169	824	10.592	868	12.965	908	15.357	945	17.796													
	23800	3367	869	12.380	912	14.900	950	17.434															
	25200	3565	915	14.371	956	17.041																	
	26600	3763	962	16.579																			
402-37	14200	1902	559	3.520	619	5.072	674	6.728	729	8.512	784	10.429	840	12.472	896	14.629	951	16.882					
	15600	2089	602	4.324	658	6.006	710	7.772	760	9.645	810	11.638	860	13.752	911	15.982	961	18.318					
	17000	2277	646	5.259	699	7.076	747	8.958	793	10.933	839	13.012	885	15.201	931	17.501							
	18400	2464	690	6.334	740	8.291	786	10.298	830	12.381	872	14.556	914	16.829	957	19.204							
	19800	2652	734	7.561	783	9.661	826	11.798	867	13.998	907	16.277	947	18.642									
	21200	2839	779	8.952	825	11.198	867	13.469	906	15.792	944	18.182											
	22700	3040	827	10.637	872	13.041	912	15.460	949	17.919													
	24100	3228	872	12.404	915	14.957	954	17.516															
	25500	3415	918	14.368	959	17.072																	
	26900	3603	964	16.544																			
402-38	14300	1816	560	3.503	619	5.060	674	6.719	729	8.502	783	10.418	839	12.461	894	14.618	949	16.874					
	15700	1993	602	4.294	658	5.981	709	7.750	759	9.624	809	11.617	859	13.729	909	15.957	960	18.293					
	17100	2171	645	5.211	699	7.035	747	8.921	793	10.897	838	12.975	884	15.163	930	17.461							
	18600	2362	692	6.345	743	8.321	788	10.341	832	12.434	874	14.616	916	16.894	957	19.273							
	20000	2539	736	7.558	785	9.678	828	11.829	869	14.039	909	16.326	948	18.698									
	21400	2717	780	8.930	827	11.197	869	13.483	908	15.817	946	18.216											
	22900	2908	828	10.589	873	13.016	913	15.451	951	17.923													
	24300	3085	873	12.326	916	14.903	955	17.481															
	25700	3263	918	14.257	960	16.986																	
	27100	3441	963	16.392																			
402-39	14400	1736	560	3.493	619	5.055	674	6.717	728	8.502	783	10.417	838	12.460	893	14.618	947	16.875					
	15800	1905	602	4.272	658	5.967	710	7.738	759	9.614	808	11.606	858	13.718	908	15.946	958	18.281					
	17300	2085	648	5.244	701	7.086	749	8.985	795	10.970	840	13.055	885	15.248	931	17.550							
	18700	2254	691	6.289	742	8.274	788	10.299	831	12.395	873	14.577	915	16.855	957	19.232							
	20200	2435	738	7.570	787	9.710	831	11.877	871	14.100	911	16.396	950	18.775									
	21600	2604	782	8.927	829	11.215	871	13.518	910	15.865	948	18.274											
	23000	2772	826	10.450	872	12.889	912	15.332	950	17.809													
	24500	2953	874	12.279	917	14.880	957	17.477															
	25900	3122	918	14.180	961	16.935																	
	27400	3303	966	16.440																			
402-40	14500	1662	561	3.488	620	5.057	675	6.722	729	8.508	782	10.424	837	12.467	892	14.627	946	16.888					
	16000	1833	606	4.318	662	6.029	713	7.813	762	9.698	810	11.697	859	13.814	908	16.045	958	18.387					
	17400	1994	648	5.217	702	7.067	750	8.971	795	10.959	840	13.046	885	15.238	930	17.539							
	18900	2166	694	6.326	745	8.330	791	10.370	834	12.478	876	14.669	917	16.953	958	19.336							
	20300	2326	737	7.507	787	9.658	830	11.831	871	14.057	911	16.355	949	18.735									
	21800	2498	784	8.942	831	11.253	874	13.572	913	15.934	950	18.355											
	23200	2659	828	10.449	874	12.912	914	15.373	952	17.865													
	24700	2830	875	12.257	919	14.883	959	17.500															
	26100	2991	919	14.136	962	16.916																	
	27600	3162	966	16.440																			
402-41	14600	1592	561	3.489	621	5.065	676	6.733	729	8.522	782	10.438	836	12.482	891	14.644	945	16.907					
	16100	1756	606	4.310	662	6.029	713	7.818	762	9.706	810	11.706	859	13.823	908	16.056	957	18.398					
	17500	1909	648	5.198	702	7.058	750	8.967	796	10.959	840	13.047	885	15.241	930	17.542							
	19000	2072	694	6.293	746	8.307	791	10.354	834	12.466	876	14.659	917	16.945	958	19.328							
	20400	2225	737	7.458	787	9.620	831	11.800	871	14.031	911	16.333	949	18.714									
	21900	2389	783	8.871	831	11.194	873	13.522	913	15.889	950	18.313											
	23400	2552	830	10.467	876	12.954	917	15.435	955	17.942													
	24800	2705	874	12.134	918	14.773	958	17.400															
	26300	2869	921	14.120	964	16.925																	
	27700	3021	965	16.171																			

Performance certified is for installation Type A: Free inlet, Free outlet. Power rating (BHP) does not include transmission losses. Performance ratings do not include the effects of appurtenances (accessories).

402 AIR PERFORMANCE (PART 4 OF 4)

Model	CFM	OV	0.5" SP		1" SP		1.5" SP		2" SP		2.5" SP		3" SP		3.5" SP		4" SP		4.5" SP		5" SP			
			RPM	BHP	RPM	BHP	RPM	BHP	RPM	BHP	RPM	BHP	RPM	BHP	RPM	BHP	RPM	BHP	RPM	BHP	RPM	BHP	RPM	BHP
402-42	14700	1528	562	3.494	622	5.077	676	6.750	729	8.541	782	10.459	836	12.504	890	14.667	944	16.934						
	16100	1673	604	4.250	661	5.968	711	7.753	760	9.637	809	11.633	857	13.746	906	15.974	955	18.313						
	17600	1829	649	5.188	703	7.057	751	8.972	796	10.967	841	13.059	885	15.253	929	17.555								
	19100	1985	694	6.271	746	8.295	792	10.348	835	12.465	876	14.662	917	16.950	958	19.334								
	20600	2141	740	7.509	790	9.693	834	11.891	875	14.137	914	16.449	952	18.840										
	22000	2287	783	8.817	831	11.152	874	13.489	913	15.862	950	18.290												
	23500	2443	829	10.391	876	12.891	917	15.381	955	17.895														
	25000	2598	876	12.157	921	14.822	961	17.469																
	26400	2744	920	13.990	963	16.809																		
27900	2900	967	16.162																					
402-43	14800	1468	564	3.502	623	5.094	677	6.772	730	8.566	783	10.485	836	12.531	890	14.697	943	16.966						
	16200	1606	605	4.253	662	5.980	712	7.772	761	9.659	809	11.658	857	13.772	906	16.002	955	18.340						
	17700	1755	650	5.184	704	7.063	752	8.985	797	10.984	841	13.078	885	15.275	929	17.577								
	19200	1904	695	6.257	747	8.292	793	10.353	835	12.474	877	14.675	917	16.965	958	19.351								
	20700	2053	740	7.483	790	9.679	834	11.884	875	14.136	914	16.453	952	18.847										
	22100	2191	783	8.777	831	11.124	874	13.470	913	15.849	951	18.282												
	23600	2340	829	10.333	876	12.845	917	15.345	955	17.866														
	25100	2489	875	12.077	921	14.755	961	17.413																
	26600	2638	922	14.022	966	16.866																		
28000	2776	966	16.027																					
402-44	14800	1402	562	3.465	622	5.055	676	6.731	729	8.522	782	10.439	835	12.482	888	14.644	942	16.911						
	16300	1544	606	4.262	663	5.998	714	7.795	762	9.687	810	11.688	858	13.804	906	16.035	954	18.376						
	17800	1686	651	5.187	705	7.075	753	9.004	798	11.009	842	13.106	886	15.305	930	17.609								
	19300	1828	695	6.251	748	8.297	794	10.366	836	12.493	878	14.697	918	16.991	958	19.378								
	20800	1970	741	7.467	791	9.674	835	11.888	876	14.147	915	16.468	953	18.866										
	22200	2102	783	8.748	832	11.108	875	13.463	914	15.850	951	18.287												
	23700	2244	829	10.289	876	12.814	918	15.324	956	17.854														
	25200	2387	875	12.014	921	14.707	961	17.376																
	26700	2529	921	13.938	966	16.797																		

Performance certified is for installation Type A: Free inlet, Free outlet. Power rating (BHP) does not include transmission losses. Performance ratings do not include the effects of appurtenances (accessories).

090 SOUND PERFORMANCE

Model	OV	CFM	SP	RPM	SOUND POWER BY OCTAVE BANDS dB Lwi								LwiA	
					63	125	250	500	1000	2000	4000	8000		
090-4	2500	218	0.50	1749	80	74	79	65	63	65	59	41	73	
		218	1.00	2188	86	81	84	70	68	69	68	53	78	
		218	2.00	2862	91	87	87	77	74	73	75	66	83	
		218	3.00	3392	89	87	83	86	78	74	75	72	86	
	3000	218	4.00	3836	88	86	83	85	81	76	76	75	87	
		262	0.50	1910	82	77	81	67	65	66	62	46	75	
		262	1.00	2318	88	83	85	72	70	70	70	56	80	
		262	2.00	2970	90	87	87	78	75	73	75	67	83	
	4000	262	3.00	3491	89	87	83	86	78	75	75	73	86	
		262	4.00	3944	88	86	83	85	82	76	76	75	87	
		349	0.50	2273	87	82	85	71	69	69	69	55	79	
		349	1.00	2619	91	87	88	75	72	72	75	62	83	
090-5	2500	349	2.00	3213	90	87	82	86	76	74	75	70	86	
		349	3.00	3711	89	87	83	86	80	75	76	74	86	
		349	4.00	4150	89	87	84	85	83	77	77	76	88	
		341	0.50	1786	81	74	80	65	64	65	60	42	74	
090-6	2500	341	1.00	2187	86	81	84	70	68	69	68	53	78	
		341	2.00	2857	91	87	87	77	74	73	75	66	83	
		341	3.00	3416	89	87	83	86	78	75	75	72	86	
		341	4.00	3884	88	86	83	85	81	76	76	75	87	
	3000	409	0.50	1985	84	78	82	68	66	67	64	48	76	
		409	1.00	2339	88	83	85	72	70	70	70	57	80	
		409	2.00	2963	90	87	87	78	75	73	75	67	83	
		409	3.00	3487	89	87	83	86	78	75	75	73	86	
	4000	409	4.00	3948	88	86	83	85	82	76	76	75	87	
		545	0.50	2428	89	85	86	73	71	71	72	58	81	
		545	1.00	2708	91	87	88	76	73	72	75	64	83	
		545	2.00	3228	90	87	82	86	76	74	75	70	86	
090-7	2500	545	3.00	3707	89	87	83	86	80	75	76	74	86	
		545	4.00	4133	88	87	84	85	83	77	77	76	88	
		491	0.50	1973	83	78	82	68	66	67	64	48	76	
		491	1.00	2297	88	83	85	71	69	70	70	56	80	
	3000	491	2.00	2886	91	87	87	77	74	73	75	66	83	
		491	3.00	3410	89	87	83	86	78	75	75	72	86	
		491	4.00	3881	88	86	83	85	81	76	76	75	87	
		589	0.50	2242	87	82	85	71	69	69	69	54	79	
	4000	589	1.00	2522	90	86	87	74	72	71	73	60	82	
		589	2.00	3041	90	87	82	87	75	73	75	68	86	
		589	3.00	3522	89	87	83	86	79	75	75	73	86	
		589	4.00	3962	88	86	83	85	82	76	76	75	87	
090-8	2500	785	0.50	2815	91	87	87	76	74	73	75	65	83	
		785	1.00	3037	90	87	82	87	75	73	75	68	86	
		785	2.00	3454	89	87	83	86	78	75	75	72	86	
		785	3.00	3845	88	86	83	85	81	76	76	75	87	
090-9	2500	-	-	-	-	-	-	-	-	-	-	-	-	
		1104	0.50	3181	89	87	83	86	77	74	75	71	86	
		1104	1.00	3397	89	87	83	86	78	75	75	72	86	
		1104	2.00	3768	89	86	83	85	80	76	76	74	86	
	3000	1104	3.00	4097	88	86	83	85	83	77	77	76	87	
		1104	4.00	4403	-	-	-	-	-	-	-	-	-	-
		1325	0.50	3730	88	86	84	86	81	76	76	75	87	
		1325	1.00	3923	88	86	84	85	83	77	77	76	87	
	4000	-	-	-	-	-	-	-	-	-	-	-	-	-
		-	-	-	-	-	-	-	-	-	-	-	-	-
		-	-	-	-	-	-	-	-	-	-	-	-	-
		-	-	-	-	-	-	-	-	-	-	-	-	-

Model	OV	CFM	SP	RPM	SOUND POWER BY OCTAVE BANDS dB Lwi								LwiA
					63	125	250	500	1000	2000	4000	8000	
090-4	2500	668	0.50	2287	87	82	85	71	70	70	70	56	79
		668	1.00	2556	91	86	87	74	72	71	74	61	82
		668	2.00	3041	90	87	82	87	75	73	75	68	86
		668	3.00	3490	89	87	83	86	78	75	75	73	86
	3000	668	4.00	3912	88	86	83	85	82	76	76	75	87
		802	0.50	2639	91	87	88	75	73	72	75	63	83
		802	1.00	2873	91	87	87	77	74	73	75	66	83
		802	2.00	3299	90	87	83	86	77	74	75	71	86
	4000	802	3.00	3696	89	87	83	86	80	75	76	74	86
		802	4.00	4074	88	86	83	85	83	77	77	76	87
		1069	0.50	3369	89	87	83	86	78	75	75	72	86
		1069	1.00	3558	89	87	83	86	79	75	76	73	86
090-5	2500	1069	2.00	3907	88	86	83	85	82	76	76	75	87
		-	-	-	-	-	-	-	-	-	-	-	-
		873	1.00	2931	90	87	87	77	75	73	75	67	83
		873	2.00	3344	89	87	83	86	77	74	75	71	86
	3000	873	3.00	3724	89	87	83	85	80	76	76	74	86
		873	4.00	4082	88	86	83	85	83	77	77	76	87
		1047	0.50	3139	90	87	82	87	77	74	75	70	86
		1047	1.00	3349	89	87	83	86	78	75	75	72	86
	4000	1047	2.00	3718	89	87	83	85	80	75	76	74	86
		1047	3.00	4053	88	86	83	85	83	77	76	76	87
		-	-	-	-	-	-	-	-	-	-	-	-
		-	-	-	-	-	-	-	-	-	-	-	-
090-6	2500	1396	0.50	4049	87	86	83	85	84	77	77	77	88
		-	-	-	-	-	-	-	-	-	-	-	-
		-	-	-	-	-	-	-	-	-	-	-	-
		-	-	-	-	-	-	-	-	-	-	-	-
	3000	1104	0.50	3181	89	87	83	86	77	74	75	71	86
		1104	1.00	3397	89	87	83	86	78	75	75	72	86
		1104	2.00	3768	89	86	83	85	80	76	76	74	86
		1104	3.00	4097	88	86	83	85	83	77	77	76	87
	4000	1104	4.00	4403	-	-	-	-	-	-	-	-	-
		1325	0.50	3730	88	86	84	86	81	76	76	75	87
		1325	1.00	3923	88	86	84	85	83	77	77	76	87
		-	-	-	-	-	-	-	-	-	-	-	-

The sound power level ratings shown are in decibels referred to 10¹² watts calculated per AMCA Standard 301. The A-weighted sound ratings shown have been calculated per AMCA Standard 301. Values shown are for inlet LWi and inlet LWiA sound power levels for installation Type A: Free inlet, Free outlet. Ratings do not include the effects of duct.

105 SOUND PERFORMANCE

Model	OV	CFM	SP	RPM	SOUND POWER BY OCTAVE BANDS dB Lwi								LwiA
					63	125	250	500	1000	2000	4000	8000	
105-5	2500	341	0.50	1664	78	73	77	64	61	59	56	51	71
		341	1.00	2070	83	79	82	69	66	64	62	58	76
		341	2.00	2736	89	86	87	76	73	70	69	66	82
		341	3.00	3278	88	86	83	86	77	73	73	71	85
	3000	341	4.00	3742	88	86	83	86	80	76	75	74	86
		409	0.50	1833	80	76	80	66	63	61	59	54	73
		409	1.00	2195	85	81	83	70	68	65	64	60	77
		409	2.00	2819	89	86	87	77	74	71	70	67	82
	4000	409	3.00	3344	88	86	83	86	77	74	73	71	85
		409	4.00	3797	88	86	83	86	81	76	76	75	87
		545	0.50	2216	85	81	84	71	68	65	64	60	78
		545	1.00	2507	88	85	86	74	72	68	67	64	80
	4000	545	2.00	3039	89	86	82	86	75	72	71	69	85
		545	3.00	3515	88	86	83	86	79	75	74	73	86
		545	4.00	3948	87	86	83	85	82	77	77	76	87
		491	0.50	1772	79	75	79	65	62	60	58	53	72
105-6	2500	491	1.00	2110	84	80	83	69	67	64	63	59	76
		491	2.00	2714	89	86	87	76	73	70	69	66	82
		491	3.00	3237	88	86	83	86	77	73	72	71	85
		491	4.00	3698	88	86	83	86	80	76	75	74	86
	3000	589	0.50	1995	82	78	81	68	65	63	61	57	75
		589	1.00	2289	86	82	84	71	69	66	65	61	78
		589	2.00	2826	89	86	87	77	74	71	70	67	82
		589	3.00	3310	88	86	83	86	77	74	73	71	85
	4000	589	4.00	3752	88	86	83	86	80	76	76	75	86
		785	0.50	2477	88	85	86	73	71	68	67	63	80
		785	1.00	2710	89	86	87	76	73	70	69	66	82
		785	2.00	3147	88	86	83	86	76	73	72	70	85
	4000	785	3.00	3552	88	86	83	86	79	75	74	73	86
		785	4.00	3935	87	86	83	86	82	77	77	76	87
		668	0.50	1994	82	78	81	68	65	63	61	57	75
		668	1.00	2275	86	82	84	71	69	66	65	61	78
105-7	2500	668	2.00	2783	89	86	87	76	74	70	69	67	82
		668	3.00	3249	88	86	83	86	77	73	72	71	85
		668	4.00	3680	88	86	83	86	80	75	75	74	86
		802	0.50	2281	86	82	84	71	69	66	65	61	78
	3000	802	1.00	2528	88	85	87	74	72	68	67	64	81
		802	2.00	2975	89	86	87	78	75	72	71	68	82
		802	3.00	3388	88	86	83	86	78	74	73	72	86
		802	4.00	3776	88	86	83	86	80	76	76	75	86
	4000	1069	0.50	2884	89	86	87	77	74	71	70	68	82
		1069	1.00	3084	88	86	83	86	76	72	71	69	85
		1069	2.00	3450	88	86	83	86	78	74	74	72	86
		1069	3.00	3787	88	86	83	86	81	76	76	75	87
	1069	4	4109	88	86	83	86	83	77	78	77	88	

Model	OV	CFM	SP	RPM	SOUND POWER BY OCTAVE BANDS dB Lwi								LwiA
					63	125	250	500	1000	2000	4000	8000	
090-4	2500	873	0.50	2299	86	82	84	72	70	66	65	61	78
		873	1.00	2545	88	86	87	74	72	68	68	64	81
		873	2.00	2980	89	86	82	87	75	72	71	68	85
		873	3.00	3376	88	86	83	86	78	74	73	72	86
	3000	873	4.00	3749	88	86	83	86	80	76	75	75	86
		1047	0.50	2659	89	86	87	75	73	70	69	66	81
		1047	1.00	2878	89	86	87	77	74	71	70	68	82
		1047	2.00	3265	88	86	83	86	77	73	72	71	85
	4000	1047	3.00	3616	88	86	83	86	79	75	75	74	86
		1047	4.00	3949	87	86	83	85	82	77	77	76	87
		1396	0.50	3401	88	86	83	86	78	74	74	72	86
		1396	1.00	3582	87	86	83	86	79	75	75	74	86
	4000	1396	2.00	3905	87	86	83	86	82	77	77	76	87
		1396	3.00	4198	88	87	84	86	84	78	78	78	88
		-	-	-	-	-	-	-	-	-	-	-	-
		-	-	-	-	-	-	-	-	-	-	-	-
090-5	2500	1104	0.50	2667	89	86	87	76	74	70	70	66	82
		1104	1.00	2893	89	86	87	77	75	71	70	68	82
		1104	2.00	3280	88	86	83	86	77	73	73	71	85
		1104	3.00	3626	88	86	83	86	79	75	75	74	86
	3000	1104	4.00	3950	87	86	83	85	82	77	77	76	87
		1325	0.50	3107	88	86	82	86	77	73	72	70	85
		1325	1.00	3311	88	86	83	86	78	74	73	72	86
		1325	2.00	3661	88	86	83	86	80	75	75	74	86
	4000	1325	3.00	3972	87	86	83	85	82	77	77	76	87
		-	-	-	-	-	-	-	-	-	-	-	-
		1767	0.50	4009	86	86	82	86	83	77	78	77	88
		1767	1.00	4179	87	87	83	87	84	78	79	78	89
	4000	-	-	-	-	-	-	-	-	-	-	-	-
		-	-	-	-	-	-	-	-	-	-	-	-
		-	-	-	-	-	-	-	-	-	-	-	-
		-	-	-	-	-	-	-	-	-	-	-	-
090-6	2500	1364	0.50	3092	88	86	82	86	77	73	72	70	85
		1364	1.00	3305	88	86	83	86	78	74	73	72	86
		1364	2.00	3664	88	86	83	86	80	75	75	74	86
		1364	3.00	3977	87	86	83	85	82	77	77	76	87
	3000	1364	4.00	4263	-	-	-	-	-	-	-	-	-
		1636	0.50	3625	87	86	83	86	80	76	76	75	87
		1636	1.00	3815	87	86	83	86	82	77	77	76	87
		1636	2.00	4142	88	86	83	86	83	78	78	77	88
	4000	-	-	-	-	-	-	-	-	-	-	-	-
		-	-	-	-	-	-	-	-	-	-	-	-
		-	-	-	-	-	-	-	-	-	-	-	-
		-	-	-	-	-	-	-	-	-	-	-	-

The sound power level ratings shown are in decibels referred to 10⁻¹² watts calculated per AMCA Standard 301. The A-weighted sound ratings shown have been calculated per AMCA Standard 301. Values shown are for inlet LWi and inlet LWiA sound power levels for installation Type A: Free inlet, Free outlet. Ratings do not include the effects of duct.

122 SOUND PERFORMANCE

Model	OV	CFM	SP	RPM	SOUND POWER BY OCTAVE BANDS dB Lwi								LwiA
					63	125	250	500	1000	2000	4000	8000	
122-6	2500	491 0.50	1446	72	68	76	64	64	64	62	59	72	
		491 1.00	1805	79	74	81	70	68	69	67	65	77	
		491 2.00	2353	83	79	82	76	73	74	73	70	81	
		491 3.00	2781	83	82	79	81	76	75	76	73	83	
	491 4.00	3150	85	85	81	83	79	77	78	76	86		
	3000	589 0.50	1585	75	71	78	67	66	66	64	61	74	
		589 1.00	1914	81	75	82	71	70	71	69	66	78	
		589 2.00	2446	83	80	82	77	74	74	73	71	81	
		589 3.00	2874	84	83	78	82	76	75	76	73	84	
	4000	589 4.00	3230	86	85	81	84	80	78	79	76	86	
		785 0.50	1902	80	75	82	71	69	71	68	66	78	
		785 1.00	2172	83	78	83	74	72	73	71	69	80	
785 2.00		2653	83	81	80	79	75	74	75	72	82		
122-7	2500	668 0.50	1490	73	69	76	65	65	65	62	59	72	
		668 1.00	1812	79	74	81	70	69	69	67	65	77	
		668 2.00	2369	83	79	82	76	73	74	73	70	81	
		668 3.00	2811	83	82	79	81	76	75	76	73	83	
	3000	668 4.00	3192	86	85	81	84	79	78	78	76	86	
		802 0.50	1665	76	72	79	68	67	67	65	62	75	
		802 1.00	1943	81	76	82	71	70	71	69	67	78	
		802 2.00	2451	83	80	82	77	74	74	73	71	81	
	4000	802 3.00	2889	84	83	78	82	77	75	76	74	84	
		802 4.00	3270	86	85	82	84	80	78	79	77	87	
		1069 0.50	2054	83	77	83	73	71	72	70	68	80	
		1069 1.00	2268	83	79	83	75	73	73	72	69	81	
122-8	2500	873 0.50	1619	76	71	78	67	66	67	64	62	74	
		873 1.00	1881	80	75	81	71	69	70	68	66	78	
		873 2.00	2375	83	79	82	76	73	74	73	70	81	
		873 3.00	2818	83	82	79	81	76	75	76	73	83	
	3000	873 4.00	3207	86	85	81	84	80	78	78	76	86	
		1047 0.50	1843	79	74	81	70	69	70	68	65	77	
		1047 1.00	2067	83	77	83	73	71	73	71	68	80	
		1047 2.00	2494	83	80	81	77	74	74	74	71	82	
	4000	1047 3.00	2900	84	83	78	82	77	75	76	74	84	
		1047 4.00	3272	86	85	82	84	80	78	79	77	87	
		1396 0.50	2319	83	79	82	76	73	73	73	70	81	
		1396 1.00	2495	83	80	81	77	74	74	74	71	82	
122-9	2500	1104 0.50	1812	79	74	81	70	69	70	68	65	77	
		1104 1.00	2034	82	77	83	73	71	72	70	68	80	
		1104 2.00	2446	83	80	82	77	74	74	73	71	81	
		1104 3.00	2842	84	82	79	81	76	75	76	73	84	
	3000	1104 4.00	3214	86	85	81	84	80	78	79	76	86	
		1325 0.50	2087	83	77	84	74	71	73	72	69	80	
		1325 1.00	2281	83	79	83	75	73	73	72	70	81	
		1325 2.00	2637	83	81	80	79	75	74	75	72	82	
	4000	1325 3.00	2975	84	83	79	82	77	76	77	74	85	
		1325 4.00	3305	86	86	82	84	80	78	79	77	87	
		1767 0.50	2659	84	82	81	80	76	75	75	73	83	
		1767 1.00	2817	84	82	79	81	76	75	76	74	84	
122-10	2500	1767 2.00	3103	85	84	80	83	79	77	78	75	86	
		1767 3.00	3370	87	86	82	84	81	79	79	78	87	
		1767 4.00	3630	88	88	85	86	83	81	81	79	89	

Model	OV	CFM	SP	RPM	SOUND POWER BY OCTAVE BANDS dB Lwi								LwiA
					63	125	250	500	1000	2000	4000	8000	
122-10	2500	1364 0.50	2051	83	77	84	73	71	73	71	68	80	
		1364 1.00	2251	83	79	83	75	72	73	72	69	81	
		1364 2.00	2603	83	81	81	79	75	74	74	72	82	
		1364 3.00	2939	84	83	79	82	77	76	77	74	84	
	3000	1364 4.00	3263	86	85	82	84	80	78	79	77	87	
		1636 0.50	2379	83	80	83	77	74	74	74	71	82	
		1636 1.00	2559	83	81	81	78	75	74	74	72	82	
		1636 2.00	2870	84	83	78	82	76	75	76	73	84	
	4000	1636 3.00	3158	85	85	81	83	79	77	78	76	86	
		1636 4.00	3436	87	87	83	85	82	79	80	78	88	
		2182 0.50	3052	86	84	81	84	79	77	78	76	86	
		2182 1.00	3204	86	85	82	84	80	78	79	77	87	
122-11	2500	2182 2.00	3466	88	87	83	85	82	80	80	79	88	
		2182 3.00	3703	89	88	85	86	84	81	81	80	90	
		2182 4.00	3925	90	90	87	87	86	82	83	81	91	
		1650 0.50	2322	83	80	83	76	73	74	74	71	82	
	3000	1650 1.00	2512	83	81	81	78	74	74	74	71	82	
		1650 2.00	2831	84	82	79	81	76	75	76	73	84	
		1650 3.00	3119	85	84	80	83	79	77	78	76	86	
		1650 4.00	3399	87	86	83	85	81	79	80	78	88	
	4000	1980 0.50	2706	84	82	81	80	76	75	76	74	84	
		1980 1.00	2881	84	83	79	82	77	75	77	74	84	
		1980 2.00	3170	86	85	81	84	79	77	78	76	86	
		1980 3.00	3426	87	87	83	85	82	79	80	78	88	
122-12	2500	1980 4.00	3669	89	88	85	86	84	81	81	80	89	
		2640 0.50	3493	89	88	84	86	83	80	81	80	89	
		2640 1.00	3640	89	88	85	86	84	81	82	81	90	
		2640 2.00	3892	90	90	87	87	86	82	83	82	91	
	3000	2640 3.00	4115	91	91	88	88	87	84	84	83	92	
		-	-	-	-	-	-	-	-	-	-	-	
		1963 0.50	2623	84	82	81	79	76	75	76	73	83	
		1963 1.00	2808	84	82	80	81	77	75	77	74	84	
	4000	1963 2.00	3110	85	84	80	83	79	77	78	76	86	
		1963 3.00	3371	87	86	83	85	81	79	80	78	88	
		1963 4.00	3614	88	88	85	86	83	81	81	79	89	
		2356 0.50	3073	86	85	81	84	79	77	79	77	86	
122-11	2500	2356 1.00	3239	87	86	82	84	81	78	80	78	87	
		2356 2.00	3519	88	87	84	86	83	80	81	79	89	
		2356 3.00	3758	89	89	86	86	84	81	82	81	90	
		2356 4.00	3976	91	90	87	87	86	83	83	82	91	
	3000	3142 0.50	3987	92	91	88	88	87	84	84	84	92	
		3142 1.00	4126	92	92	89	89	88	84	84	84	93	
		-	-	-	-	-	-	-	-	-	-	-	
		-	-	-	-	-	-	-	-	-	-	-	
	4000	-	-	-	-	-	-	-	-	-	-	-	
		-	-	-	-	-	-	-	-	-	-	-	
		-	-	-	-	-	-	-	-	-	-	-	
		-	-	-	-	-	-	-	-	-	-	-	

The sound power level ratings shown are in decibels referred to 10¹² watts calculated per AMCA Standard 301. The A-weighted sound ratings shown have been calculated per AMCA Standard 301. Values shown are for inlet LWi and inlet LWiA sound power levels for installation Type A: Free inlet, Free outlet. Ratings do not include the effects of duct.

135 SOUND PERFORMANCE

Model	OV	CFM	SP	RPM	SOUND POWER BY OCTAVE BANDS dB Lwi								LwiA
					63	125	250	500	1000	2000	4000	8000	
135-7	2500	668 0.50	1310	73	69	72	60	59	60	58	53	68	
		668 1.00	1625	76	76	77	66	63	64	64	59	73	
		668 2.00	2119	80	84	83	73	69	69	71	67	79	
		668 3.00	2508	83	85	83	79	73	72	74	72	82	
	3000	668 4.00	2842	84	88	82	84	76	74	76	75	85	
		802 0.50	1442	74	72	75	62	61	62	61	56	70	
		802 1.00	1727	77	78	78	67	65	65	66	61	74	
		802 2.00	2202	81	85	84	74	70	70	72	69	80	
	4000	802 3.00	2585	83	86	83	80	74	73	74	72	83	
		802 4.00	2919	84	88	81	86	77	75	77	76	86	
		1069 0.50	1743	77	78	79	68	65	66	66	62	74	
		1069 1.00	1973	79	82	81	71	67	68	69	65	77	
135-8	2500	1069 2.00	2389	82	85	83	77	72	71	73	71	81	
		1069 3.00	2754	83	87	82	83	75	74	76	74	84	
		1069 4.00	3074	84	89	82	87	79	76	78	77	87	
		873 0.50	1360	73	71	73	61	59	61	59	54	69	
	3000	873 1.00	1642	76	76	77	66	63	64	64	60	73	
		873 2.00	2129	80	84	83	73	69	69	71	68	79	
		873 3.00	2530	83	85	83	79	73	72	74	72	82	
		873 4.00	2866	84	88	82	85	77	74	76	75	85	
	4000	1047 0.50	1522	75	74	76	64	62	63	62	57	71	
		1047 1.00	1767	77	78	79	68	65	66	66	62	75	
		1047 2.00	2212	81	85	84	75	70	70	72	69	80	
		1047 3.00	2602	83	86	83	80	74	73	74	73	83	
135-9	2500	1047 4.00	2934	84	88	81	86	77	75	77	76	86	
		1396 0.50	1881	79	80	80	70	67	67	68	64	77	
		1396 1.00	2072	80	83	82	73	68	69	70	67	79	
		1396 2.00	2434	82	85	83	78	72	72	73	71	81	
	3000	1396 3.00	2773	83	87	82	83	76	74	76	74	84	
		1396 4.00	3087	85	89	82	87	79	76	78	77	87	
		1104 0.50	1464	75	73	75	63	61	62	61	56	71	
		1104 1.00	1704	77	77	78	67	64	65	65	61	74	
	4000	1104 2.00	2147	81	84	83	74	69	69	71	68	79	
		1104 3.00	2538	83	85	83	79	73	72	74	72	82	
		1104 4.00	2884	84	88	82	85	77	74	77	75	85	
		1325 0.50	1665	77	77	78	67	64	65	65	61	74	
135-10	2500	1325 1.00	1871	78	80	80	70	66	67	68	64	76	
		1325 2.00	2258	81	85	84	75	70	70	72	69	80	
		1325 3.00	2620	83	86	83	81	74	73	75	73	83	
		1325 4.00	2949	84	89	81	86	77	75	77	76	86	
	3000	1767 0.50	2093	81	83	83	74	70	70	72	68	80	
		1767 1.00	2255	82	85	84	76	71	71	73	70	81	
		1767 2.00	2561	83	86	83	80	74	73	74	72	82	
		1767 3.00	2854	84	88	82	84	76	74	76	75	85	
	4000	1767 4.00	3136	85	90	83	87	79	76	78	77	88	
		1364 0.50	1614	76	76	77	67	64	65	65	60	73	
		1364 1.00	1821	78	79	80	69	66	67	67	63	76	
		1364 2.00	2205	81	85	84	75	70	70	72	69	80	
135-11	2500	1364 3.00	2563	83	86	83	80	74	73	74	72	82	
		1364 4.00	2895	84	88	81	85	77	75	77	75	86	
		1636 0.50	1855	79	80	81	71	67	68	69	65	77	
		1636 1.00	2037	80	83	82	73	69	69	71	67	79	
	3000	1636 2.00	2368	82	85	84	77	72	71	73	71	81	
		1636 3.00	2685	83	86	83	82	75	73	75	73	83	
		1636 4.00	2985	84	89	81	87	78	75	77	76	87	
		2182 0.50	2360	83	85	84	78	73	72	75	72	82	
	4000	2182 1.00	2506	83	85	84	80	74	73	75	73	83	
		2182 2.00	2772	83	87	82	83	76	74	76	74	84	
		2182 3.00	3022	84	89	82	87	78	75	78	76	87	
		2182 4.00	3265	86	90	84	88	81	77	79	78	88	

Model	OV	CFM	SP	RPM	SOUND POWER BY OCTAVE BANDS dB Lwi								LwiA
					63	125	250	500	1000	2000	4000	8000	
135-11	2500	1650 0.50	1798	79	79	80	71	67	68	69	64	77	
		1650 1.00	1984	80	82	81	73	68	68	70	66	78	
		1650 2.00	2321	82	85	84	77	71	71	73	70	81	
		1650 3.00	2634	83	86	83	81	74	73	75	73	83	
	3000	1650 4.00	2935	84	89	81	86	77	75	77	76	86	
		1980 0.50	2082	82	82	83	75	70	71	74	69	81	
		1980 1.00	2248	82	85	84	77	71	71	74	71	81	
		1980 2.00	2543	83	86	83	80	74	73	75	72	83	
	4000	1980 3.00	2816	84	87	82	84	76	74	76	75	85	
		1980 4.00	3080	84	89	82	87	79	76	78	77	87	
		2640 0.50	2668	84	86	84	83	77	75	77	76	85	
		2640 1.00	2805	84	87	83	84	77	75	78	77	86	
135-12	2500	2640 2.00	3048	85	89	82	87	79	76	78	87		
		2640 3.00	3271	86	90	84	88	81	77	79	78		
		2640 4.00	3482	87	91	86	89	83	79	80	80		
		1963 0.50	2008	81	81	83	75	70	70	73	68	80	
	3000	1963 1.00	2182	82	84	84	76	71	71	74	70	81	
		1963 2.00	2484	83	85	83	79	73	72	74	72	82	
		1963 3.00	2762	83	87	82	83	76	74	76	74	84	
		1963 4.00	3028	84	89	82	87	78	75	78	77	87	
	4000	2356 0.50	2337	84	84	85	79	74	73	76	73	83	
		2356 1.00	2494	84	85	84	80	75	73	76	74	83	
		2356 2.00	2766	84	87	82	83	76	74	76	75	85	
		2356 3.00	3010	84	89	82	87	78	75	78	77	87	
135-13	2500	2356 4.00	3241	86	90	84	88	81	77	79	78		
		3142 0.50	3014	85	89	84	87	80	77	80	80		
		3142 1.00	3145	86	90	85	88	81	78	81	80		
		3142 2.00	3374	87	91	86	89	83	79	81	81		
	3000	3142 3.00	3580	88	92	88	89	84	80	81	81		
		3142 4.00	3770	89	92	89	90	86	81	82	82		
		2304 0.50	2242	84	84	85	78	73	73	76	73		
		2304 1.00	2408	84	85	84	79	74	73	76	73		
	4000	2304 2.00	2688	84	86	83	82	76	74	76	75		
		2304 3.00	2939	84	89	82	86	77	75	78	76		
		2304 4.00	3177	85	90	83	87	80	77	79	78		
		2765 0.50	2622	85	86	85	83	77	75	78	77		
135-13	2500	2765 1.00	2771	85	87	84	84	78	75	78	77		
		2765 2.00	3028	85	89	82	87	79	76	79	78		
		2765 3.00	3252	86	90	85	88	81	78	80	79		
		2765 4.00	3463	87	91	86	89	83	79	81	80		
	3000	3687 0.50	3398	89	91	87	90	84	80	83	83		
		3687 1.00	3522	89	92	88	90	85	81	83	84		
		3687 2.00	3743	90	93	90	91	87	82	83	84		
		3687 3.00	3935	91	93	91	91	88	83	84	84		
	4000	3687 4.00	4113	91	94	92	91	89	84	84	85		

The sound power level ratings shown are in decibels referred to 10¹² watts calculated per AMCA Standard 301. The A-weighted sound ratings shown have been calculated per AMCA Standard 301. Values shown are for inlet LWi and inlet LWiA sound power levels for installation Type A: Free inlet, Free outlet. Ratings do not include the effects of duct.

150 SOUND PERFORMANCE

Model	OV	CFM	SP	RPM	SOUND POWER BY OCTAVE BANDS dB Lwi								LwiA	
					63	125	250	500	1000	2000	4000	8000		
150-8	2500	873	0.50	1185	63	74	61	57	58	54	54	55	64	LwiA
		873	1.00	1471	69	68	79	63	62	61	58	59	72	
		873	2.00	1926	77	72	85	70	67	69	64	65	78	
		873	3.00	2281	81	79	84	78	73	72	70	69	81	
		873	4.00	2580	84	84	84	84	77	75	74	72	85	
		1047	0.50	1307	66	66	76	60	60	57	56	57	70	
	3000	1047	1.00	1561	71	69	80	65	63	62	59	61	73	
		1047	2.00	1997	78	73	85	71	68	69	65	65	79	
		1047	3.00	2348	82	80	84	79	74	73	71	69	82	
		1047	4.00	2652	85	85	82	85	79	76	75	73	86	
		1396	0.50	1587	72	150-8	80	65	63	63	60	61	74	
		1396	1.00	1788	75	71	83	68	66	66	62	63	76	
	4000	1396	2.00	2162	80	76	84	75	71	71	68	67	80	
		1396	3.00	2495	83	83	83	82	76	74	73	71	83	
		1396	4.00	2787	86	86	83	86	80	78	76	75	87	
		1104	0.50	1230	64	65	75	58	58	56	55	56	68	
1104		1.00	1483	70	68	79	63	62	61	58	60	72		
1104		2.00	1927	77	72	85	70	67	69	64	65	78		
150-9	2500	1104	3.00	2298	81	79	84	78	73	72	70	69	81	
		1104	4.00	2602	84	84	82	84	78	76	74	73	85	
		1325	0.50	1381	67	67	77	61	61	59	57	58	71	
		1325	1.00	1596	72	69	81	65	63	63	60	61	74	
		1325	2.00	2000	78	73	85	71	68	69	65	65	79	
		1325	3.00	2354	82	80	84	79	74	73	71	69	82	
	3000	1325	4.00	2660	85	85	82	86	79	76	75	74	86	
		1767	0.50	1713	74	70	82	67	65	65	61	62	75	
		1767	1.00	1878	77	72	84	69	67	68	63	64	78	
		1767	2.00	2198	80	77	84	76	71	71	68	68	80	
		1767	3.00	2505	83	83	83	82	76	75	73	71	84	
		1767	4.00	2791	86	86	83	87	80	78	76	75	87	
	150-10	2500	1364	0.50	1321	66	66	76	60	60	58	56	57	70
			1364	1.00	1533	71	69	80	64	63	62	59	60	73
			1364	2.00	1935	77	72	85	70	67	69	64	65	78
			1364	3.00	2296	81	79	84	78	73	72	70	69	81
1364			4.00	2615	84	85	82	85	78	76	75	73	85	
1636			0.50	1506	70	68	79	64	62	61	59	60	73	
3000		1636	1.00	1685	73	70	82	67	65	65	61	62	75	
		1636	2.00	2033	79	74	85	72	69	70	65	66	79	
		1636	3.00	2361	82	80	84	79	74	73	71	70	82	
		1636	4.00	2664	85	85	82	86	79	76	75	74	86	
		2182	0.50	1898	77	72	84	70	67	68	63	64	78	
		2182	1.00	2037	79	74	85	72	69	70	66	66	79	
150-11		2500	2182	2.00	2305	81	79	84	78	73	72	70	69	81
			2182	3.00	2568	84	84	83	84	77	75	74	72	85
			2182	4.00	2822	86	87	84	87	81	78	77	75	87
			1650	0.50	1447	69	68	78	63	62	60	58	59	72
	1650		1.00	1629	72	70	81	66	64	64	60	61	74	
	1650		2.00	1976	78	73	85	71	68	69	64	65	79	
	3000	1650	3.00	2307	81	79	84	78	73	72	70	69	81	
		1980	0.50	1667	73	70	81	66	64	65	61	62	75	
		1980	1.00	1823	76	71	83	69	66	67	63	64	77	
		1980	2.00	2119	79	76	84	74	70	71	67	67	79	
		1980	3.00	2406	82	81	83	80	75	73	72	70	82	
		1980	4.00	2683	85	86	82	86	79	77	75	74	86	
	150-12	2500	2640	0.50	1216	79	76	85	75	71	71	68	67	80
			2640	1.00	2249	81	78	85	77	73	72	70	69	81
			2640	2.00	2482	83	82	83	82	76	75	73	71	84
			2640	3.00	2704	85	86	83	86	80	77	76	74	87
2640			4.00	2923	87	87	85	87	82	79	78	76	88	
1963			0.50	1601	72	69	81	66	64	64	61	61	74	
3000		1963	1.00	1764	75	71	82	68	65	66	62	63	76	
		1963	2.00	2064	79	75	85	73	69	70	66	66	79	
		1963	3.00	2353	82	80	84	79	74	73	71	69	82	
		1963	4.00	2633	85	85	82	85	78	76	75	73	86	
		2356	0.50	1858	76	72	84	70	67	68	64	64	78	
		2356	1.00	2000	78	73	85	72	68	70	66	65	79	
4000		2356	2.00	2259	81	78	84	77	73	72	69	68	81	
		2356	3.00	2507	83	83	83	83	77	75	73	72	84	
		2356	4.00	2748	86	86	83	86	80	77	76	74	87	
		3142	0.50	2387	82	81	85	81	76	75	74	71	84	
	3142	1.00	2503	83	83	85	84	78	76	75	73	85		
	3142	2.00	2711	85	86	84	87	80	78	77	75	87		
150-13	2500	3142	3.00	2907	86	87	85	88	82	79	78	76	89	
		3142	4.00	3094	88	88	86	89	84	81	79	78	90	

Model	OV	CFM	SP	RPM	SOUND POWER BY OCTAVE BANDS dB Lwi								LwiA	
					63	125	250	500	1000	2000	4000	8000		
150-13	2500	2304	0.50	1778	75	71	83	69	66	67	64	63	77	LwiA
		2304	1.00	1927	77	72	84	70	67	69	64	65	78	
		2304	2.00	2193	80	77	84	76	72	71	68	68	80	
		2304	3.00	2446	83	82	83	81	76	74	72	71	83	
		2304	4.00	2693	85	86	82	86	79	77	75	74	86	
		2765	0.50	2074	79	76	85	74	70	71	69	67	80	
	3000	2765	1.00	2206	80	78	85	77	72	72	70	68	81	
		2765	2.00	2440	82	81	84	81	76	74	73	71	83	
		2765	3.00	2657	85	85	83	86	79	77	76	74	86	
		2765	4.00	2869	86	87	84	87	81	79	77	76	88	
		3687	0.50	2680	85	86	85	88	81	78	79	76	89	
		3687	1.00	2788	86	86	86	89	82	79	79	77	89	
	4000	3687	2.00	2982	87	88	87	89	84	80	80	78	90	
		3687	3.00	3160	88	89	88	90	85	82	80	79	91	
		3687	4.00	3328	89	90	89	90	87	83	81	80	92	
		2673	0.50	1974	78	74	85	72	69	71	68	65	79	
2673		1.00	2113	79	76	85	75	71	71	69	67	80		
2673		2.00	2357	82	80	84	80	74	73	71	70	82		
150-14	2500	2673	3.00	2582	84	84	83	84	78	76	75	73	85	
		2673	4.00	2802	86	86	84	87	81	78	77	75	87	
		3207	0.50	2313	82	80	86	80	75	74	74	70	83	
		3207	1.00	2436	83	82	85	82	77	75	75	72	84	
		3207	2.00	2654	85	85	84	87	80	77	77	75	87	
		3207	3.00	2852	86	87	85	88	82	79	78	76	88	
	3000	3207	4.00	3041	88	88	86	89	84	80	79	77	90	
		4276	0.50	3002	88	88	88	91	85	81	82	79	92	
		4276	1.00	3105	88	89	89	91	86	82	82	80	92	
		4276	2.00	3288	90	90	90	91	87	83	83	81	93	
		4276	3.00	3454	90	91	90	92	88	84	83	82	94	
		4276	4.00	3607	91	92	91	92	89	85	84	82	94	
	150-15	2500	3068	0.50	2189	80	78	86	77	73	73	72	69	82
			3068	1.00	2322	82	80	85	80	75	74	73	70	83
			3068	2.00	2549	84	83	84	84	78	76	75	73	85
			3068	3.00	2755	86	86	84	87	81	78	77	75	88
3068			4.00	2950	87	88	85	88	83	79	78	77	89	
3682			0.50	2572	84	85	86	87	80	77	78	75	87	
3000		3682	1.00	2692	85	86	85	89	81	78	79	76	89	
		3682	2.00	2898	87	87	86	89	83	80	80	77	90	
		3682	3.00	3080	88	88	87	89	84	81	80	78	90	
		3682	4.00	3252	89	90	88	90	86	82	81	79	92	
		4909	0.50	3355	90	91	91	93	89	84	84	83	95	
		4909	1.00	3451	91	91	91	93	90	85	85	83	95	
150-16		2500	4909	2.00	3625	92	92	92	94	91	86			

165 SOUND PERFORMANCE

Model	OV	CFM	SP	RPM	SOUND POWER BY OCTAVE BANDS dB Lwi								LwiA	
					63	125	250	500	1000	2000	4000	8000		
165-8	2500	873	0.50	1057	70	79	69	64	63	62	59	60	70	
		873	1.00	1320	77	72	84	70	67	68	63	64	77	
		873	2.00	1719	79	76	84	75	71	71	69	68	80	
		873	3.00	2034	81	79	83	79	73	73	72	70	82	
	3000	873	4.00	2296	83	81	81	83	75	75	75	73	84	
		1047	0.50	1156	73	81	72	66	64	64	61	62	72	
		1047	1.00	1399	78	73	84	71	68	69	65	65	78	
		1047	2.00	1787	80	77	83	76	72	71	70	68	80	
	4000	1047	3.00	2095	82	79	82	80	74	73	73	71	82	
		1047	4.00	2356	83	81	81	84	75	75	75	74	84	
		1396	0.50	1381	78	73	84	71	68	69	64	65	78	
		1396	1.00	1585	79	75	84	74	70	70	67	66	79	
165-9	2500	1396	2.00	1938	81	78	83	78	73	72	71	81		
		1396	3.00	2236	83	80	82	82	75	74	74	83		
		1396	4.00	2490	85	82	81	85	77	76	76	86		
		1104	0.50	1066	71	79	70	64	63	62	59	60	70	
	3000	1104	1.00	1321	77	72	84	70	67	68	63	64	77	
		1104	2.00	1729	79	77	84	75	71	71	69	68	80	
		1104	3.00	2048	81	79	82	80	73	73	72	71	82	
		1104	4.00	2317	83	81	81	83	75	75	75	73	84	
	4000	1325	0.50	1177	74	81	73	67	65	65	61	62	73	
		1325	1.00	1404	78	73	84	71	68	69	65	65	78	
		1325	2.00	1792	80	77	83	76	72	71	70	68	80	
		1325	3.00	2107	82	80	82	80	74	73	73	71	82	
165-10	2500	1325	4.00	2379	84	81	81	84	76	75	75	85		
		1767	0.50	1429	78	73	84	71	68	69	65	78		
		1767	1.00	1609	79	75	84	74	70	70	68	67	79	
		1767	2.00	1943	81	78	83	78	73	72	71	70	81	
	3000	1767	3.00	2239	83	80	82	82	75	74	74	72	83	
		1767	4.00	2501	85	82	81	85	77	76	76	75	86	
		1364	0.50	1102	72	80	71	65	63	63	60	61	71	
		1364	1.00	1332	77	72	84	70	67	68	64	65	78	
	4000	1364	2.00	1730	79	77	84	75	71	71	69	68	80	
		1364	3.00	2060	81	79	82	80	74	73	73	71	82	
		1364	4.00	2334	83	81	81	83	75	75	75	73	84	
		1636	0.50	1235	75	71	82	68	66	66	62	63	76	
165-12	2500	1636	1.00	1431	78	73	84	71	68	69	65	78		
		1636	2.00	1796	80	77	83	76	72	71	70	68	80	
		1636	3.00	2114	82	80	82	81	74	73	73	71	82	
		1636	4.00	2387	84	81	81	84	76	75	75	74	85	
	3000	2182	0.50	1529	78	75	84	73	69	70	67	66	79	
		2182	1.00	1679	79	76	84	75	71	71	68	67	79	
		2182	2.00	1972	81	79	83	79	73	72	72	70	81	
		2182	3.00	2250	83	80	82	82	75	74	74	73	83	
	4000	2182	4.00	2508	85	82	81	85	77	76	76	75	86	
		1650	0.50	1170	73	81	72	67	65	65	61	62	72	
		1650	1.00	1367	78	72	84	71	68	69	64	65	78	
		1650	2.00	1737	79	77	84	76	71	71	69	68	80	
165-13	2500	1650	3.00	2060	81	79	82	80	74	73	73	82		
		1650	4.00	2343	83	81	81	84	75	75	75	84		
		1980	0.50	1330	77	72	83	70	67	69	64	65	78	
		1980	1.00	1497	78	74	84	72	69	70	66	66	79	
	3000	1980	2.00	1818	80	77	83	77	72	71	70	68	80	
		1980	3.00	2120	82	80	82	81	74	73	73	71	82	
		1980	4.00	2394	84	81	81	84	76	75	75	74	85	
		2640	0.50	1673	79	76	84	75	71	71	69	68	80	
	4000	2640	1.00	1801	80	77	83	77	72	72	70	69	80	
		2640	2.00	2050	81	79	83	80	74	73	72	71	82	
		2640	3.00	2293	83	81	81	83	75	75	75	73	84	
		2640	4.00	2528	85	82	82	85	77	77	77	75	86	
165-14	2500	1963	0.50	1265	76	72	82	69	66	68	64	76		
		1963	1.00	1435	78	73	84	72	68	69	65	78		
		1963	2.00	1763	80	77	83	76	71	71	69	68	80	
		1963	3.00	2069	81	79	82	80	74	73	73	71	82	
	3000	1963	4.00	2346	83	81	81	84	75	75	75	74	84	
		2356	0.50	1454	78	74	84	72	69	70	67	66	79	
		2356	1.00	1599	79	75	84	74	70	70	68	67	79	
		2356	2.00	1877	80	78	83	78	72	72	71	69	81	
	4000	2356	3.00	2146	82	80	82	81	74	74	73	72	83	
		3142	0.50	1851	80	78	84	78	73	73	72	70	81	
		3142	1.00	1964	81	79	83	79	74	73	73	70	82	
		3142	2.00	2179	82	80	82	82	75	74	74	72	83	
165-15	2500	3142	3.00	2388	84	81	81	85	76	76	76	85		
		3142	4.00	2594	85	83	82	86	78	77	77	86		
		2304	0.50	1384	78	73	83	71	68	70	66	65	78	
		2304	1.00	1533	78	75	84	73	69	70	67	66	79	
	3000	2304	2.00	1819	80	77	83	77	72	72	70	68	80	
		2304	3.00	2096	82	79	82	80	74	73	73	71	82	
		2304	4.00	2359	83	81	81	84	75	75	75	74	84	
		2765	0.50	1603	79	76	84	74	71	72	70	67	80	
	4000	2765	1.00	1732	79	77	84	76	72	72	70	68	80	
		2765	2.00	1975	81	79	83	79	73	73	72	70	82	
		2765	3.00	2210	82	80	82	82	75	74	74	72	83	
		2765	4.00	2441	84	81	81	85	76	76	76	75	85	
165-16	2500	3687	0.50	2056	81	80	83	81	75	75	75	83		
		3687	1.00	2160	82	81	83	82	76	75	75	84		
		3687	2.00	2350	83	81	82	85	76	76	76	85		
		3687	3.00	2534	85	82	82	86	78	77	77	87		
	3000	3687	4.00	2713	86	84	84	87	80	78	78	88		
		2304	0.50	1384	78	73	83	71	68	70	66	65	78	
		2304	1.00	1533	78	75	84	73	69	70	67	66	79	
		2304	2.00	1819	80	77	83	77	72	72	70	68	80	
	165-17	2500	2304	3.00	2096	82	79	82	80	74	73	73	82	
			2304	4.00	2359	83	81	81	84	75	75	75	84	
			2765	0.50	1603	79	76	84	74	71	72	70	67	80
			2765	1.00	1732	79	77	84	76	72	72	70	68	80
3000		2765	2.00	1975	81	79	83	79	73	73	72	70	82	
		2765	3.00	2210	82	80	82	82	75	74	74	72	83	
		2765	4.00	2441	84	81	81	85	76	76	76	75	85	
		3687	0.50	2056	81	80	83	81	75	75	75	72	83	
4000		3687	1.00	2160	82	81	83	82	76	75	75	73	84	
		3687	2.00	2350	83	81	82	85	76	76	76	74	85	
		3687	3.00	2534	85	82	82	86	78	77	77	76	87	
		3687	4.00	2713	86	84	84	87	80	78	78	77	88	

Model	OV	CFM	SP	RPM	SOUND POWER BY OCTAVE BANDS dB Lwi								LwiA
					63	125	250	500	1000	2000	4000	8000	
165-14	2500	2673	0.50	1520	78	76	83	73	70	71	69	67	79
		2673	1.00	1656	79	76	84	75	71	71	69	67	80
		2673	2.00	1908	80	78	83	78	73	72	71	69	81
		2673	3.00	2152	82	80	82	81	74	74	74	72	83
	3000	2673	4.00	2389	84	81	81	84	76	75	75	74	85
		3207	0.50	1771	80	78	84	77	73	73	72	69	81
		3207	1.00	1890	80	79	83	78	74	73	73	70	82
		3207	2.00	2107	81	80	83	81	74	74	73	71	83
	4000	3207	3.00	2315	83	81	82	84	76	75	75	73	85
		3207	4.00	2518	85	82	82	86	77	77	77	75	86
		4276	0.50	2287	82	81	83	85	78	77	78	75	86
		4276	1.00	2382	83	82	83	86	78	77	78	76	87
165-15	2500	4276	2.00	2556	84	83	83	87	79	78	79	88	
		4276	3.00	2721	86	84	84	88	81	79	79	88	
		4276	4.00	2879	87	85	85	89	83	80	80	79	90
		3068	0.50	1673	79	77	84	76	72	73	72	69	81
	3000	3068	1.00	1798	80	78	84	77	73	73	72	69	81
		3068	2.00</										

182 SOUND PERFORMANCE

Model	OV	CFM	SP	RPM	SOUND POWER BY OCTAVE BANDS dB Lwi								LwiA
					63	125	250	500	1000	2000	4000	8000	
182-9	2500	1104	0.50	943	33	69	33	31	31	27	19	53	
		1104	1.00	1180	29	74	29	27	27	25	19	58	
		1104	2.00	1542	25	26	80	25	24	24	24	20	71
		1104	3.00	1828	26	26	84	25	24	24	25	22	75
		1104	4.00	2065	53	55	86	55	52	51	51	49	78
		1325	0.50	1031	39	71	39	37	37	37	33	25	55
	3000	1325	1.00	1249	34	35	75	33	32	32	30	24	67
		1325	2.00	1600	32	32	81	31	30	30	30	26	72
		1325	3.00	1880	32	33	84	32	31	31	31	28	76
		1325	4.00	2117	61	63	87	63	59	59	59	56	78
		1767	0.50	1232	49	50	75	47	46	46	43	35	67
		1767	1.00	1413	45	46	78	44	42	43	41	35	69
4000	1767	2.00	1731	39	39	82	38	37	37	37	33	74	
	1767	3.00	2000	53	54	85	54	51	51	51	48	77	
	1767	4.00	2231	76	80	88	80	75	74	75	72	84	
	1364	0.50	949	44	69	43	41	41	41	36	27	54	
	1364	1.00	1178	37	74	37	35	34	35	32	25	58	
	1364	2.00	1546	33	33	80	32	31	31	31	26	71	
182-10	2500	1364	3.00	1834	30	31	84	30	29	29	29	26	75
		1364	4.00	2080	57	59	86	59	56	55	56	53	78
		1636	0.50	1048	50	71	49	47	47	47	42	33	57
		1636	1.00	1251	45	46	75	43	42	42	40	33	67
		1636	2.00	1601	39	40	81	39	38	37	37	32	72
		1636	3.00	1885	40	40	84	40	38	38	38	35	76
	3000	1636	4.00	2133	64	67	87	67	63	62	63	60	79
		2182	0.50	1273	61	62	76	59	57	58	55	45	69
		2182	1.00	1433	55	56	78	54	52	53	51	43	70
		2182	2.00	1732	49	50	82	49	47	47	47	42	74
		2182	3.00	1998	58	59	85	59	56	55	56	52	77
		2182	4.00	2234	78	81	88	82	76	76	76	73	85
182-11	2500	1650	0.50	977	54	70	53	51	50	51	45	34	58
		1650	1.00	1184	47	74	47	45	44	44	41	33	59
		1650	2.00	1545	41	41	80	40	39	39	38	33	71
		1650	3.00	1839	36	36	84	36	34	34	35	31	75
		1650	4.00	2091	61	63	86	63	59	59	59	56	78
		1980	0.50	1093	60	72	60	58	57	57	52	42	64
	3000	1980	1.00	1271	55	56	76	53	52	52	49	41	68
		1980	2.00	1599	47	48	81	46	45	45	44	39	72
		1980	3.00	1887	47	48	84	47	45	45	46	42	76
		1980	4.00	2135	67	70	87	70	66	65	66	63	79
		2640	0.50	1352	70	71	77	68	66	66	64	54	74
		2640	1.00	1488	66	67	79	64	62	62	61	53	73
4000	2640	2.00	1752	60	60	83	59	57	57	57	51	74	
	2640	3.00	2002	63	65	85	64	61	61	61	57	77	
	2640	4.00	2234	79	82	88	83	77	77	77	74	86	
	1963	0.50	1028	63	71	62	59	59	60	54	42	65	
	1963	1.00	1209	57	58	75	54	53	54	50	41	67	
	1963	2.00	1546	48	49	80	47	46	46	45	39	71	
182-12	2500	1963	3.00	1841	44	45	84	44	42	42	43	39	75
		1963	4.00	2092	63	65	86	65	61	60	61	58	78
		2356	0.50	1165	68	74	68	65	64	64	60	49	70
		2356	1.00	1319	64	66	76	62	61	61	58	49	70
		2356	2.00	1613	55	56	81	54	53	53	52	46	72
		2356	3.00	1886	54	55	84	54	52	52	52	48	76
	3000	2356	4.00	2132	70	73	87	73	68	68	68	65	80
		3142	0.50	1461	75	76	79	73	71	71	70	60	78
		3142	1.00	1580	73	74	80	72	70	70	69	60	78
		3142	2.00	1809	69	70	83	69	66	66	67	60	77
		3142	3.00	2031	71	73	86	73	69	69	69	65	80
		3142	4.00	2245	80	84	88	85	79	78	79	76	87
182-13	2500	2304	0.50	1099	69	73	69	66	65	66	60	49	71
		2304	1.00	1258	66	67	75	63	62	62	59	49	70
		2304	2.00	1560	55	56	80	54	52	52	52	45	72
		2304	3.00	1840	52	52	84	51	50	50	50	45	75
		2304	4.00	2092	66	69	86	68	65	64	65	61	79
		2765	0.50	1258	73	75	76	70	69	69	66	55	75
	3000	2765	1.00	1394	73	74	78	71	69	69	67	57	76
		2765	2.00	1653	65	66	81	64	62	62	62	54	74
		2765	3.00	1902	61	62	84	61	59	58	59	54	76
		2765	4.00	2137	73	76	87	76	71	71	71	68	81
		3687	0.50	1595	79	79	81	77	75	75	75	66	82
		3687	1.00	1702	79	79	82	78	75	75	75	67	82
4000	3687	2.00	1903	78	79	84	78	75	74	75	69	83	
	3687	3.00	2098	78	81	87	80	76	76	76	72	84	
	3687	4.00	2289	83	88	89	88	82	81	82	79	90	

Model	OV	CFM	SP	RPM	SOUND POWER BY OCTAVE BANDS dB Lwi								LwiA
					63	125	250	500	1000	2000	4000	8000	
150-13	2500	2673	0.50	1187	73	75	75	70	69	70	66	55	76
		2673	1.00	1329	73	75	77	71	69	70	67	56	76
		2673	2.00	1597	64	65	81	63	61	61	60	53	73
		2673	3.00	1854	59	59	84	58	56	56	56	51	76
		2673	4.00	2095	70	72	87	72	68	68	68	65	80
		3207	0.50	1369	77	78	78	74	72	73	71	61	79
	3000	3207	1.00	1491	78	79	80	76	74	74	73	63	81
		3207	2.00	1721	74	74	82	73	70	70	70	62	79
		3207	3.00	1942	70	71	85	70	67	67	68	62	78
		3207	4.00	2157	77	79	87	79	75	74	75	71	83
		4276	0.50	1749	82	82	85	81	78	78	79	72	86
		4276	1.00	1846	83	83	86	82	79	79	79	80	73
4000	4276	2.00	2028	83	85	87	84	80	80	81	75	88	
	4276	3.00	2201	83	86	88	86	81	80	81	77	89	
	4276	4.00	2369	84	89	89	90	84	82	83	81	91	
	3068	0.50	1287	75	77	77	73	71	72	69	59	78	
	3068	1.00	1417	77	78	78	75	73	73	71	61	80	
	3068	2.00	1657	71	72	81	70	68	68	67	60	77	
150-14	2500	3068	3.00	1887	66	67	84	66	63	63	64	58	77
		3068	4.00	2110	74	76	87	76	72	71	72	68	82
		3682	0.50	1494	79	79	81	77	74	75	74	66	82
		3682	1.00	1607	80	81	82	78	76	76	76	67	83
		3682	2.00	1815	79	79	83	78	75	75	76	68	83
		3682	3.00	2013	77	79	86	78	74	74	74	69	83
	3000	3682	4.00	2205	80	84	88	84	79	78	79	75	87
		4909	0.50	1920	84	84	87	84	80	80	81	76	88
		4909	1.00	2012	84	85	87	85	81	80	81	77	88
		4909	2.00	2179	84	87	88	87	82	81	82	78	90
		4909	3.00	2336	84	88	89	89	83	82	83	80	91
		4909	4.00	2486	86	89	90	91	85	84	84	82	93
150-15	2500	3491	0.50	1400	77	78	79	75	73	74	72	64	80
		3491	1.00	1521	79	80	81	77	75	75	74	65	82
		3491	2.00	1739	76	77	82	75	73	73	73	65	80
		3491	3.00	1947	74	75	85	74	71	71	71	66	80
		3491	4.00	2148	78	80	87	80	76	75	76	72	84
		4189	0.50	1632	81	81	83	80	76	77	77	70	84
	3000	4189	1.00	1739	82	82	85	81	78	78	79	71	85
		4189	2.00	1929	82	83	85	82	79	78	79	73	86
		4189	3.00	2108	81	84	87	83	79	78	79	75	87
		4189	4.00	2280	83	87	89	88	82	81	82	79	90
		5585	0.50	2109	85	86	88	87	82	81	82	80	90
		5585	1.00	2194	85	87	89	88	83	82	83	80	91
4000	5585	2.00	2351	85	89	90	90	84	83	83	81	92	
	5585	3.00	2497	86	89	90	91	85	84	84	82	93	
	5585	4.00	2633	87	90	92	92	87	85	86	83	94	
	3941	0.50	1523	79	80	82	78	75	76	75	68	83	
	3941	1.00	1637	81	81								

200 SOUND PERFORMANCE (PART 2 OF 2)

Model	OV	CFM	SP	RPM	Sound Power by Octave Bands dB Lwi								LwiA	
					63	125	250	500	1000	2000	4000	8000		
200-23	1500	4328	0.50	1232	78	79	89	75	73	74	72	65	83	
		4328	1.00	1346	79	81	90	77	75	76	73	65	84	
		4328	2.00	1545	81	82	90	80	77	77	75	68	86	
		4328	3.00	1729	83	84	90	82	80	79	77	71	87	
		4328	4.00	1910	85	86	91	85	82	81	80	74	89	
		5049	0.50	1398	80	81	91	78	76	77	76	70	86	
	1750	5049	1.00	1503	81	82	91	80	77	78	76	70	86	
		5049	2.00	1682	83	84	90	82	79	79	77	71	87	
		5049	3.00	1846	85	86	91	84	81	81	80	74	89	
		5049	4.00	2004	87	87	92	87	83	83	82	76	91	
		2000	5770	0.50	1568	82	83	91	81	79	79	78	74	87
			5770	1.00	1664	83	84	91	83	80	80	79	74	88
5770	2.00		1830	85	86	91	84	81	81	80	74	89		
5770	3.00		1980	87	87	92	87	83	83	82	76	91		
5770	4.00		2121	88	89	92	88	85	84	85	79	92		
200-24	1500		4712	0.50	1297	79	80	90	77	75	76	74	68	84
		4712	1.00	1409	80	81	90	78	76	77	74	68	85	
		4712	2.00	1599	82	83	90	81	78	78	76	69	86	
		4712	3.00	1772	84	85	91	83	80	80	79	72	88	
		4712	4.00	1940	86	86	91	86	83	82	81	75	90	
		5498	0.50	1474	81	82	91	80	77	78	77	73	87	
	1750	5498	1.00	1577	82	83	91	81	79	79	78	72	87	
		5498	2.00	1752	84	85	91	83	80	80	79	73	88	
		5498	3.00	1908	86	86	91	86	82	82	81	75	90	
		5498	4.00	2055	87	88	92	87	84	83	83	78	91	
		2000	6283	0.50	1656	83	84	92	83	80	80	80	76	89
			6283	1.00	1749	84	85	92	84	81	81	81	76	89
6283	2.00		1913	86	87	92	86	83	82	82	76	90		
6283	3.00		2056	88	88	92	88	84	84	84	78	92		
2000	6283		4.00	2192	89	89	93	90	86	85	86	81	93	

The sound power level ratings shown are in decibels referred to 10¹² watts calculated per AMCA Standard 301. The A-weighted sound ratings shown have been calculated per AMCA Standard 301. Values shown are for inlet LWi and inlet LWiA sound power levels for installation Type A: Free inlet, Free outlet. Ratings do not include the effects of duct.

222 SOUND PERFORMANCE (PART 1 OF 2)

Model	OV	CFM	SP	RPM	Sound Power by Octave Bands dB Lwi							LwiA		
					63	125	250	500	1000	2000	4000		8000	
222-10	2500	1364	0.50	768	70	79	68	66	65	62	56	45	70	
		1364	1.00	955	74	84	73	71	70	69	63	54	76	
		1364	2.00	1237	79	81	88	77	75	75	71	63	83	
		1364	3.00	1460	82	84	89	81	79	79	76	68	86	
	3000	1364	4.00	1648	85	86	90	84	82	81	80	72	88	
		1636	0.50	839	72	81	70	68	67	65	59	48	73	
		1636	1.00	1016	76	85	75	72	71	70	65	56	77	
		1636	2.00	1290	80	82	88	78	76	76	72	64	84	
	4000	1636	3.00	1508	83	84	89	81	80	79	77	69	87	
		1636	4.00	1696	86	86	90	84	82	82	81	73	89	
		2182	0.50	997	75	85	74	72	71	70	64	55	77	
		2182	1.00	1152	78	88	78	75	74	74	69	61	80	
222-11	2500	2182	2.00	1408	82	83	89	80	78	78	75	67	85	
		2182	3.00	1617	85	86	90	83	81	81	79	71	88	
		2182	4.00	1800	87	88	91	86	84	83	83	75	91	
		1650	0.50	768	70	79	68	66	65	62	56	45	70	
	3000	1650	1.00	961	75	84	73	71	70	69	63	54	76	
		1650	2.00	1250	79	81	88	77	76	76	71	63	84	
		1650	3.00	1476	83	84	89	81	79	79	76	68	86	
		1650	4.00	1665	85	86	90	84	82	81	80	72	89	
	4000	1980	0.50	839	72	81	70	68	67	65	59	48	73	
		1980	1.00	1018	76	85	75	72	71	71	65	56	77	
		1980	2.00	1301	80	82	88	78	76	76	72	64	84	
		1980	3.00	1523	83	84	89	82	80	79	77	69	87	
222-12	2500	1980	4.00	1711	86	87	90	85	83	82	81	73	89	
		2640	0.50	1002	75	85	74	72	71	70	65	56	77	
		2640	1.00	1151	78	88	78	75	74	74	69	61	80	
		2640	2.00	1410	82	83	89	80	78	78	75	67	85	
	3000	2640	3.00	1628	85	86	90	83	81	81	79	71	88	
		2640	4.00	1812	87	88	91	86	84	83	83	76	91	
		1963	0.50	770	70	79	68	66	65	62	56	45	70	
		1963	1.00	960	75	84	73	71	70	69	63	54	76	
	4000	1963	2.00	1255	79	81	88	77	76	76	71	64	84	
		1963	3.00	1485	83	84	89	81	79	79	76	68	86	
		1963	4.00	1681	86	86	90	84	82	82	80	73	89	
		2356	0.50	847	72	82	70	68	67	65	59	49	73	
222-13	2500	2356	1.00	1018	76	85	75	72	71	71	65	56	77	
		2356	2.00	1303	80	82	89	78	76	76	72	64	84	
		2356	3.00	1532	83	85	89	82	80	80	77	69	87	
		2356	4.00	1728	86	87	90	85	83	82	81	74	90	
	3000	3142	0.50	1025	76	86	75	72	72	71	65	57	78	
		3142	1.00	1159	78	88	78	75	74	74	69	62	81	
		3142	2.00	1410	82	83	89	80	78	78	75	67	85	
		3142	3.00	1629	85	86	90	83	81	81	79	71	88	
	4000	3142	4.00	1821	88	88	91	86	84	84	83	76	91	
		2304	0.50	783	71	80	68	66	66	63	56	46	71	
		2304	1.00	961	75	84	73	71	70	69	63	54	76	
		2304	2.00	1258	80	81	88	77	76	76	71	64	84	
222-14	2500	2304	3.00	1494	83	84	89	81	79	79	76	68	86	
		2304	4.00	1694	86	86	90	84	82	82	81	73	89	
		2765	0.50	871	73	82	71	69	68	66	60	50	73	
		2765	1.00	1024	76	86	75	72	71	71	65	57	77	
	3000	2765	2.00	1304	80	82	89	78	76	76	72	64	84	
		2765	3.00	1536	84	85	89	82	80	80	77	69	87	
		2765	4.00	1735	86	87	90	85	83	82	82	74	90	
		3687	0.50	1069	77	87	76	74	73	72	67	59	79	
	4000	3687	1.00	1187	79	80	88	76	75	75	70	62	83	
		3687	2.00	1416	82	83	89	80	78	78	75	67	85	
		3687	3.00	1629	85	86	90	83	81	81	79	71	88	
		3687	4.00	1821	88	88	91	86	84	84	83	76	91	
222-15	2500	2673	0.50	809	71	81	69	67	66	64	58	47	72	
		2673	1.00	969	75	84	74	71	70	69	63	54	76	
		2673	2.00	1258	80	81	88	77	76	76	71	64	84	
		2673	3.00	1499	83	84	89	81	79	79	76	69	86	
	3000	2673	4.00	1701	86	86	90	84	82	82	81	73	89	
		3207	0.50	910	74	83	72	70	69	68	62	52	75	
		3207	1.00	1046	76	86	76	73	72	71	66	57	78	
		3207	2.00	1305	80	82	89	78	76	76	72	64	84	
	4000	3207	3.00	1536	83	85	89	82	80	80	77	69	87	
		3207	4.00	1738	86	87	90	85	83	82	82	74	90	
		4276	0.50	1133	78	88	78	75	74	74	69	61	81	
		4276	1.00	1237	79	81	89	77	75	75	76	71	84	
222-16	2500	4276	2.00	1439	82	83	89	80	79	78	75	67	86	
		4276	3.00	1635	85	86	90	83	81	81	79	72	88	
		4276	4.00	1820	88	88	91	86	84	84	83	76	91	
		3068	0.50	847	72	82	70	68	68	66	59	49	73	
	3000	3068	1.00	990	75	85	74	72	71	70	64	55	77	
		3068	2.00	1260	80	81	88	77	76	76	71	64	84	
		3068	3.00	1498	83	84	89	81	79	79	76	69	86	
		3068	4.00	1704	86	87	90	85	82	82	81	73	89	
	4000	3682	0.50	964	75	85	74	71	71	70	64	55	76	
		3682	1.00	1084	77	87	77	74	73	72	67	59	79	
		3682	2.00	1317	80	82	89	78	77	77	73	65	84	
		3682	3.00	1538	84	85	89	82	80	80	77	69	87	
222-17	2500	3682	4.00	1739	86	87	90	85	83	82	82	74	90	
		4909	0.50	1212	79	81	89	77	75	76	72	64	84	
		4909	1.00	1305	81	82	89	78	77	77	73	65	85	
		4909	2.00	1485	83	84	89	81	79	79	76	68	86	
	3000	4909	3.00	1660	85	86	90	84	82	81	80	72	89	
		4909	4.00	1832	88	88	91	87	84	84	84	76	91	
		3491	0.50	897	74	83	72	70	69	68	62	52	75	
		3491	1.00	1024	76	86	75	72	72	71	66	57	78	
	222-18	2500	3491	2.00	1269	80	81	88	77	76	76	72	64	84
			3491	3.00	1499	83	84	89	81	79	79	76	69	86
			3491	4.00	1705	86	87	90	85	83	82	81	73	89
			4189	0.50	1027	76	87	76	73	72	72	67	58	78
3000		4189	1.00	1136	78	88	78	75	74	74	69	61	80	
		4189	2.00	1345	81	82	89	79	77	77	73	65	85	
		4189	3.00	1548	84	85	89	82	80	80	77	70	87	
		4189	4.00	1740	86	87	90	85	83	82	82	74	90	
4000		5585	0.50	1303	81	83	90	79	77	78	74	67	85	
		5585	1.00	1389	82	83	90	80	78	78	75	68	86	
		5585	2.00	1551	84	85	90	82	80	80	78	70	87	
		5585	3.00	1708	86	87	90	85	83	82	81	74	90	
222-19	2500	5585	4.00	1862	88	88	91	87	85	84	85	77	92	
		3941	0.50	955	75	85	74	71	71	70	65	56	77	
		3941	1.00	1071	77	87	76	74	73	72	67	59	79	
		3941	2.00	1292	80	82	89	78	76	76	72	64	84	
	3000	3941	3.00	1506	83	84	89	81	80	79	77	69	87	
		3941	4.00	1707	86	87	90	85	83	82	81	73	89	
		4729	0.50	1100	78	88	78	75	74	74	70	62	80	
		4729	1.00	1201	79	81	89	76	75	75	71	63	84	
	4000	4729	2.00	1390	82	83	89	80	78	78	75	67	85	
		4729	3.00	1572	84	85	90	82	81	80	78	70	87	
		4729	4.00	1750	87	87	90	85	83	83	82	74	90	
		6305	0.50	1405	83	84	90	81	79	79	77	70	87	
222-20	2500	6305	1.00	1484	84	85	90	82	80	80	78	70	87	
		6305	2.00	1634	85	86	90	84	82	81	80	72	89	
		6305	3.00	1776	87	88	91	86	84	83	83	75	91	
		6305	4.00	1914	-	-	-	-	-	-	-	-	-	
	3000	4418	0.50	1020	76	87	76	73	72	72	67	59	79	
		4418	1.00	1128	78	88	78	75	74	74	69	61	80	
		4418	2.00	1329										

222 SOUND PERFORMANCE (PART 2 OF 2)

Model	OV	CFM	SP	RPM	Sound Power by Octave Bands dB Lwi								LwiA
					63	125	250	500	1000	2000	4000	8000	
222-22	1500	3960 0.50	895	74	84	73	70	70	69	63	54	75	
		3960 1.00	1016	76	86	75	73	72	71	66	57	78	
		3960 2.00	1239	79	81	88	77	75	75	71	63	83	
		3960 3.00	1454	82	84	89	80	79	78	75	68	86	
		3960 4.00	1658	85	86	90	84	82	81	80	72	89	
		5280 0.50	1113	78	89	79	75	74	75	72	65	82	
	2000	5280 1.00	1215	80	82	89	77	76	77	72	65	84	
		5280 2.00	1394	82	83	89	80	78	78	75	67	86	
		5280 3.00	1560	84	85	90	82	80	80	78	70	87	
		5280 4.00	1725	86	87	90	85	83	82	81	74	90	
		6600 0.50	1340	82	84	91	80	78	79	77	71	87	
		6600 1.00	1429	83	84	90	81	79	80	78	71	87	
2500	6600 2.00	1583	85	86	90	83	81	81	80	72	88		
	6600 3.00	1724	87	87	91	86	83	83	82	75	90		
	6600 4.00	1859	88	89	92	87	85	84	85	77	92		
	4328 0.50	948	75	85	74	71	71	71	66	58	77		
	4328 1.00	1063	77	87	77	74	73	73	68	59	79		
	4328 2.00	1270	80	82	89	77	76	76	72	64	84		
222-23	1500	4328 3.00	1470	83	84	89	81	79	79	76	68	86	
		4328 4.00	1664	85	86	90	84	82	81	80	72	89	
		5770 0.50	1187	80	82	90	77	76	77	74	68	85	
		5770 1.00	1284	81	83	90	78	77	78	74	67	85	
		5770 2.00	1454	83	84	90	81	79	79	77	69	87	
		5770 3.00	1609	85	86	90	83	81	81	79	72	88	
	2000	5770 4.00	1761	87	87	91	85	83	83	82	75	90	
		7213 0.50	1434	83	85	91	82	80	81	79	74	88	
		7213 1.00	1519	84	86	91	83	81	81	80	74	89	
		7213 2.00	1668	86	87	91	85	82	82	82	74	90	
		7213 3.00	1801	88	89	92	87	84	84	84	77	92	
		7213 4.00	1927	-	-	-	-	-	-	-	-	-	
222-24	1500	4712 0.50	1004	76	87	76	73	72	73	68	61	79	
		4712 1.00	1115	78	88	78	75	74	74	70	61	81	
		4712 2.00	1309	81	82	89	78	77	77	73	65	85	
		4712 3.00	1495	83	84	89	81	79	79	76	68	86	
		4712 4.00	1677	85	86	90	84	82	82	80	73	89	
		6283 0.50	1264	81	83	91	79	77	78	76	70	86	
	2000	6283 1.00	1358	82	84	90	80	78	79	76	70	86	
		6283 2.00	1520	84	85	90	82	80	80	78	70	88	
		6283 3.00	1667	86	87	91	85	82	82	81	73	89	
		6283 4.00	1808	88	88	91	86	84	84	84	76	91	
		7854 0.50	1533	85	86	92	84	81	82	81	76	89	
		7854 1.00	1615	86	87	92	85	82	83	82	77	90	
2500	7854 2.00	1757	88	88	92	87	84	84	84	77	91		
	7854 3.00	1885	-	-	-	-	-	-	-	-	-		
	7854 4.00	2004	-	-	-	-	-	-	-	-	-		
	5113 0.50	1063	78	88	78	74	74	74	71	64	81		
	5113 1.00	1170	79	89	80	76	75	76	71	63	82		
	5113 2.00	1354	81	83	89	79	77	78	74	66	85		
222-25	1500	5113 3.00	1528	83	85	89	82	80	80	77	69	87	
		5113 4.00	1697	86	86	90	84	82	82	81	73	89	
		6818 0.50	1346	82	84	91	80	79	80	78	73	87	
		6818 1.00	1437	83	85	91	82	80	80	78	72	88	
		6818 2.00	1593	85	86	91	84	81	81	80	72	89	
		6818 3.00	1732	87	88	91	86	83	83	83	75	90	
	2000	6818 4.00	1864	89	89	92	88	85	85	85	78	92	
		8522 0.50	1638	87	87	92	86	83	83	84	79	91	
		8522 1.00	1717	88	88	92	87	84	84	85	79	92	
		8522 2.00	1855	89	89	93	89	85	85	87	80	93	
		8522 3.00	1976	-	-	-	-	-	-	-	-	-	
		8522 4.00	2091	-	-	-	-	-	-	-	-	-	
222-26	1500	5531 0.50	1126	79	90	80	76	75	76	73	67	82	
		5531 1.00	1229	80	82	90	77	76	77	73	66	85	
		5531 2.00	1406	82	84	89	80	78	79	76	68	86	
		5531 3.00	1567	84	85	90	83	81	80	78	71	88	
		5531 4.00	1726	86	87	90	85	83	82	81	74	90	
		7374 0.50	1434	83	85	91	82	80	81	80	75	88	
	2000	7374 1.00	1520	85	86	91	83	81	81	80	75	89	
		7374 2.00	1671	86	87	91	85	82	83	82	74	90	
		7374 3.00	1804	88	88	92	87	84	84	85	77	92	
		7374 4.00	1928	-	-	-	-	-	-	-	-	-	
		9218 0.50	1749	89	88	93	88	84	85	86	82	93	
		9218 1.00	1823	90	89	93	89	85	86	87	82	94	
2500	9218 2.00	1956	-	-	-	-	-	-	-	-	-		
	9218 3.00	2075	-	-	-	-	-	-	-	-	-		
	9218 4.00	2183	-	-	-	-	-	-	-	-	-		

The sound power level ratings shown are in decibels referred to 10¹² watts calculated per AMCA Standard 301. The A-weighted sound ratings shown have been calculated per AMCA Standard 301. Values shown are for inlet LWi and inlet LWiA sound power levels for installation Type A: Free inlet, Free outlet. Ratings do not include the effects of duct.

245 SOUND PERFORMANCE (PART 1 OF 2)

Model	OV	CFM	SP	RPM	Sound Power by Octave Bands dB Lwi								LwiA
					63	125	250	500	1000	2000	4000	8000	
245-13	2500	2304	0.50	697	71	81	68	66	66	63	56	45	71
		2304	1.00	870	75	86	74	71	71	69	63	54	77
		2304	2.00	1136	80	90	80	77	76	76	71	63	83
		2304	3.00	1343	84	85	91	81	80	80	76	68	87
		2304	4.00	1522	87	88	92	85	83	83	81	72	90
		2765	0.50	765	73	83	70	68	68	65	59	48	73
	3000	2765	1.00	923	77	87	75	73	72	71	65	56	78
		2765	2.00	1180	81	91	81	78	77	77	72	64	83
		2765	3.00	1387	84	86	91	82	81	80	77	69	88
		2765	4.00	1562	87	88	92	86	83	83	82	74	90
		3687	0.50	922	77	87	75	73	72	71	65	56	78
		3687	1.00	1048	79	90	78	76	75	75	69	61	81
4000	3687	2.00	1278	83	84	91	80	79	79	75	66	86	
	3687	3.00	1475	86	87	91	84	82	82	80	71	89	
	3687	4.00	1649	89	89	93	87	85	85	84	76	92	
	2673	0.50	705	72	82	68	67	66	63	56	45	71	
	2673	1.00	870	75	86	74	71	71	69	63	54	77	
	2673	2.00	1140	80	90	80	78	76	77	71	63	83	
245-14	2500	2673	3.00	1355	84	85	91	82	80	80	77	68	87
		2673	4.00	1529	87	88	92	85	83	83	81	73	90
		3207	0.50	781	73	84	71	69	69	66	59	49	74
		3207	1.00	925	77	87	75	73	72	71	65	56	78
		3207	2.00	1181	81	91	81	78	77	77	72	64	83
		3207	3.00	1393	85	86	91	82	81	81	78	69	88
	3000	3207	4.00	1570	87	88	92	86	84	83	82	74	91
		4276	0.50	954	77	88	76	74	73	72	66	58	79
		4276	1.00	1066	79	90	79	76	75	75	69	62	82
		4276	2.00	1280	83	84	91	80	79	79	75	66	86
		4276	3.00	1475	86	87	91	84	82	82	80	71	89
		4276	4.00	1650	89	89	93	87	85	85	84	76	92
245-15	2500	3068	0.50	722	72	82	69	67	67	64	57	46	72
		3068	1.00	874	76	86	74	72	71	70	63	54	77
		3068	2.00	1141	80	90	80	78	76	77	71	63	83
		3068	3.00	1357	84	85	91	82	80	80	77	68	87
		3068	4.00	1538	87	88	92	85	83	83	81	73	90
		3682	0.50	809	74	85	72	70	69	67	61	51	75
	3000	3682	1.00	938	77	88	75	73	72	72	65	57	79
		3682	2.00	1181	81	91	81	78	77	77	72	64	83
		3682	3.00	1394	85	86	91	82	81	81	78	69	88
		3682	4.00	1575	87	88	92	86	84	83	82	74	91
		4909	0.50	1001	78	89	78	75	74	74	68	60	80
		4909	1.00	1100	80	90	79	77	76	76	70	62	82
4000	4909	2.00	1293	83	84	91	80	79	79	75	67	87	
	4909	3.00	1478	86	87	91	84	82	82	80	71	89	
	4909	4.00	1650	89	89	93	87	85	85	84	76	92	
	3491	0.50	749	73	83	70	68	68	65	58	48	73	
	3491	1.00	886	76	86	74	72	71	70	63	54	77	
	3491	2.00	1140	80	90	80	78	76	77	71	63	83	
245-16	2500	3491	3.00	1358	84	85	91	82	80	80	77	68	87
		3491	4.00	1545	87	88	92	85	83	83	81	73	90
		4189	0.50	848	75	86	73	71	71	69	62	53	76
		4189	1.00	963	77	88	76	74	73	72	66	58	79
		4189	2.00	1187	81	83	90	78	77	77	72	64	85
		4189	3.00	1393	85	86	91	82	81	81	78	69	88
	3000	4189	4.00	1575	87	88	92	86	84	83	82	74	91
		5585	0.50	1061	80	90	79	76	75	76	70	62	82
		5585	1.00	1150	81	91	81	78	77	77	72	64	83
		5585	2.00	1322	83	85	91	81	79	79	76	67	87
		5585	3.00	1491	86	87	92	84	82	82	80	72	89
		5585	4.00	1653	89	89	93	87	85	85	84	76	92
245-17	2500	3941	0.50	785	74	84	71	69	69	67	60	50	74
		3941	1.00	908	76	87	75	72	72	71	64	55	78
		3941	2.00	1144	80	90	80	78	76	77	71	63	83
		3941	3.00	1358	84	85	91	82	80	80	77	68	87
		3941	4.00	1547	87	88	92	85	83	83	81	73	90
		4729	0.50	896	77	87	75	72	72	71	65	56	78
	3000	4729	1.00	1000	78	89	77	75	74	74	68	59	80
		4729	2.00	1202	81	83	90	79	77	78	73	65	85
		4729	3.00	1395	85	86	91	82	81	81	78	69	88
		4729	4.00	1575	87	88	92	86	84	83	82	74	91
		6305	0.50	1130	81	91	81	78	77	78	72	64	83
		6305	1.00	1212	82	84	91	79	78	78	74	66	86
245-18	3000	6305	2.00	1367	84	86	91	82	80	80	77	69	88
		6305	3.00	1519	87	88	92	85	83	83	81	72	90
		6305	4.00	1668	89	90	93	88	85	85	84	76	92
		4418	0.50	828	75	85	73	71	70	69	62	53	76
		4418	1.00	940	77	88	76	73	73	72	66	57	79
		4418	2.00	1156	81	91	81	78	77	77	72	64	83
	4000	4418	3.00	1360	84	85	91	82	80	80	77	68	87
		4418	4.00	1546	87	88	92	85	83	83	81	73	90
		5301	0.50	951	78	89	77	74	73	73	67	59	80
		5301	1.00	1047	79	90	79	76	75	76	69	62	82
		5301	2.00	1230	82	84	90	79	78	78	74	65	86
		5301	3.00	1407	85	86	91	83	81	81	78	70	88
245-19	3000	5301	4.00	1578	87	88	92	86	84	83	82	74	91
		7069	0.50	1208	82	84	91	79	78	79	75	67	86
		7069	1.00	1284	83	85	91	81	79	80	76	68	87
		7069	2.00	1427	85	86	91	83	81	81	79	70	88
		7069	3.00	1564	87	88	92	86	84	83	82	74	91
		7069	4.00	1699	89	90	93	88	86	85	85	77	93
245-19	2500	4922	0.50	877	76	87	75	72	72	71	65	56	78
		4922	1.00	981	78	89	77	74	74	74	67	59	80
		4922	2.00	1177	81	91	81	78	77	77	72	64	83
		4922	3.00	1367	84	85	91	82	80	80	77	69	88
		4922	4.00	1546	87	88	92	85	83	83	81	73	90
		5907	0.50	1013	79	90	79	75	75	75	76	70	82
	3000	5907	1.00	1102	80	91	80	77	76	77	71	63	83
		5907	2.00	1270	83	84	91	80	79	79	75	66	86
		5907	3.00	1432	85	86	91	83	81	81	79	70	88
		5907	4.00	1590	88	89	92	86	84	84	83	74	91
		7876	0.50	1294	84	85	92	81	80	80	77	70	88
		7876	1.00	1365	85	86	92	82	81	81	78	71	88
4000	7876	2.00	1499	86	87	92	85	83	82	81	72	90	
	7876	3.00	1624	88	89	92	87	84	84	83	75	92	
	7876	4.00	1747	90	91	93	89	86	86	86	79	94	
	5454	0.50	932	77	88	77	74	73	73	67	59	80	
	5454	1.00	1029	79	90	78	75	75	75	69	61	81	
	5454	2.00	1209	82	84	90	79	78	78	73			

245 SOUND PERFORMANCE (PART 2 OF 2)

Model	OV	CFM	SP	RPM	Sound Power by Octave Bands dB Lwi								LwiA	
					63	125	250	500	1000	2000	4000	8000		
245-25	2500	5113	0.50	842	76	86	74	71	71	71	65	56	77	
		5113	1.00	948	78	88	77	74	73	73	67	58	79	
		5113	2.00	1141	81	91	80	78	76	77	71	63	83	
		5113	3.00	1326	83	85	91	81	80	79	76	68	87	
	3000	6818	4.00	1504	86	87	92	84	83	82	80	72	90	
			0.50	1052	80	92	81	77	76	78	73	67	84	
		1.00	1141	81	91	82	78	77	78	73	66	84		
		2.00	1297	83	85	91	81	79	80	76	68	87		
		3.00	1442	86	87	91	84	82	82	79	71	89		
		4.00	1583	88	88	92	86	84	84	82	74	91		
		4000	8522	0.50	1269	83	85	92	81	80	81	79	73	88
			8522	1.00	1348	85	86	92	83	81	82	79	73	89
8522	2.00		1484	87	88	92	85	82	83	81	72	90		
8522	3.00		1607	88	89	93	87	84	84	84	75	92		
245-26	2500	8522	4.00	1724	90	91	93	89	86	86	86	78	93	
		5531	0.50	887	77	88	76	73	73	73	67	59	79	
		5531	1.00	989	79	89	78	75	74	75	68	60	81	
		5531	2.00	1170	81	91	81	78	77	77	72	64	84	
	3000	7374	3.00	1343	84	85	91	81	80	80	76	68	87	
			4.00	1512	86	87	92	85	83	82	81	72	90	
		7374	0.50	1114	81	92	82	78	77	79	75	69	85	
		7374	1.00	1201	82	84	91	80	78	79	75	68	87	
		7374	2.00	1350	84	86	91	82	80	81	78	69	88	
		7374	3.00	1487	86	87	92	84	82	82	81	72	90	
		7374	4.00	1618	88	89	92	87	84	84	83	75	92	
		4000	9218	0.50	1350	85	86	93	83	81	82	81	75	89
9218	1.00		1424	86	87	93	84	82	83	81	75	90		
9218	2.00		1556	88	89	93	86	84	84	83	75	91		
9218	3.00		1673	89	90	93	88	85	85	85	77	93		
245-27	2500	9218	4.00	1785	-	-	-	-	-	-	-	-	-	
		5964	0.50	935	78	89	77	74	74	74	69	62	80	
		5964	1.00	1033	79	90	79	76	75	76	70	62	82	
		5964	2.00	1205	82	84	91	79	78	78	74	65	86	
	3000	7952	3.00	1367	84	85	91	82	80	80	77	69	88	
			4.00	1525	87	88	92	85	83	83	81	73	90	
		7952	0.50	1180	82	92	83	80	79	80	77	71	86	
		7952	1.00	1263	83	85	92	81	79	80	77	70	88	
		7952	2.00	1408	85	87	92	83	81	82	79	71	89	
		7952	3.00	1537	87	88	92	85	83	83	82	74	90	
		7952	4.00	1661	89	90	93	88	85	85	85	77	92	
		4000	9940	0.50	1433	86	87	93	85	83	83	83	77	91
9940	1.00		1506	87	88	93	86	83	84	84	78	91		
9940	2.00		1633	89	90	93	88	85	85	85	78	93		
9940	3.00		1747	91	91	94	90	87	87	87	79	94		
245-28	2500	9940	4.00	1851	-	-	-	-	-	-	-	-	-	
		6414	0.50	984	79	90	79	75	75	76	71	65	82	
		6414	1.00	1080	80	91	80	77	76	77	72	64	83	
		6414	2.00	1244	83	84	91	80	78	79	75	66	86	
	3000	8552	3.00	1396	85	86	91	83	81	81	78	69	88	
			4.00	1545	87	88	92	85	83	83	81	73	90	
		8552	0.50	1249	83	85	92	81	80	81	79	73	88	
		8552	1.00	1330	84	86	92	82	81	81	79	73	89	
		8552	2.00	1469	86	88	92	84	82	83	81	72	90	
		8552	3.00	1593	88	89	93	87	84	84	83	75	91	
		8552	4.00	1711	90	90	93	89	86	86	86	78	93	
		4000	10690	0.50	1522	88	88	94	87	84	85	85	80	92
10690	1.00		1591	89	89	94	88	85	86	86	80	93		
10690	2.00		1714	91	91	94	90	86	87	87	81	94		
10690	3.00		1823	-	-	-	-	-	-	-	-	-		
10690	4.00	1924	-	-	-	-	-	-	-	-	-	-		

The sound power level ratings shown are in decibels referred to 10¹² watts calculated per AMCA Standard 301. The A-weighted sound ratings shown have been calculated per AMCA Standard 301. Values shown are for inlet LWi and inlet LWiA sound power levels for installation Type A: Free inlet, Free outlet. Ratings do not include the effects of duct.

270 SOUND PERFORMANCE (PART 1 OF 2)

Model	OV	CFM	SP	RPM	Sound Power by Octave Bands dB Lwi								LwiA
					63	125	250	500	1000	2000	4000	8000	
270-14	2500	2673	0.50	632	73	83	68	67	67	63	55	44	72
		2673	1.00	789	77	88	74	72	72	70	63	53	77
		2673	2.00	1030	81	92	81	78	77	77	71	63	84
		2673	3.00	1217	84	86	92	82	80	80	76	67	88
		2673	4.00	1378	87	88	93	85	83	83	80	71	90
		3207	0.50	692	74	85	71	69	69	66	58	48	74
	3000	3207	1.00	837	78	89	75	73	73	72	65	56	79
		3207	2.00	1070	82	92	81	79	78	78	72	64	84
		3207	3.00	1258	85	87	93	82	81	81	77	68	88
		3207	4.00	1414	88	89	93	85	84	83	81	72	91
		4276	0.50	831	77	89	75	73	73	72	64	55	79
		4276	1.00	949	80	92	79	76	76	76	69	61	82
4000	4276	2.00	1160	83	93	83	81	79	79	74	66	86	
	4276	3.00	1338	86	88	93	84	82	82	79	70	90	
	4276	4.00	1494	89	90	94	87	85	85	83	74	92	
	3068	0.50	636	73	83	69	67	67	63	56	44	72	
	3068	1.00	789	77	88	74	72	72	70	63	53	77	
	3068	2.00	1035	81	92	81	78	77	78	71	63	84	
270-15	2500	3068	3.00	1225	84	86	92	82	80	80	76	68	88
		3068	4.00	1384	87	88	93	85	83	83	80	72	90
		3682	0.50	702	74	85	71	69	69	66	59	48	75
		3682	1.00	838	78	89	76	73	73	72	65	56	79
		3682	2.00	1072	82	92	81	79	78	78	72	64	84
		3682	3.00	1261	85	87	93	82	81	81	77	68	89
	3000	3682	4.00	1423	88	89	93	86	84	84	81	73	91
		4909	0.50	853	78	89	76	74	73	73	65	57	80
		4909	1.00	959	80	92	79	76	76	76	69	61	82
		4909	2.00	1160	83	93	83	81	79	79	74	66	86
		4909	3.00	1339	86	88	93	84	82	82	79	70	90
		4909	4.00	1496	89	90	94	87	85	85	83	74	92
270-16	2500	3491	0.50	646	73	83	69	68	68	64	56	45	73
		3491	1.00	790	77	88	74	72	72	70	63	53	78
		3491	2.00	1035	81	92	81	78	77	78	71	63	84
		3491	3.00	1229	85	86	92	82	81	80	76	68	88
		3491	4.00	1396	87	88	93	85	83	83	80	72	90
		4189	0.50	720	75	86	72	70	70	67	60	50	75
	3000	4189	1.00	844	78	89	76	74	73	72	65	56	79
		4189	2.00	1072	82	92	81	79	78	78	72	64	84
		4189	3.00	1263	85	87	93	83	81	81	77	69	89
		4189	4.00	1428	88	89	93	86	84	84	81	73	91
		5585	0.50	886	79	90	77	75	74	74	67	58	81
		5585	1.00	981	80	92	79	77	76	77	70	62	83
270-17	4000	5585	2.00	1166	84	93	84	81	79	79	75	66	86
		5585	3.00	1339	86	88	93	84	82	82	79	70	90
		5585	4.00	1496	89	90	94	87	85	85	83	74	92
		3941	0.50	664	73	84	70	68	68	64	57	46	73
		3941	1.00	796	77	88	74	72	72	70	63	54	78
		3941	2.00	1035	81	92	81	78	77	78	71	63	84
	2500	3941	3.00	1232	85	86	92	82	81	81	76	68	88
		3941	4.00	1398	87	88	93	85	83	83	80	72	90
		4729	0.50	748	76	87	73	71	71	69	61	51	76
		4729	1.00	859	78	90	76	74	74	73	65	57	80
		4729	2.00	1073	82	92	81	79	78	78	72	64	84
		4729	3.00	1263	85	87	93	83	81	81	77	69	89
270-18	3000	4729	4.00	1429	88	89	93	86	84	84	81	73	91
		6305	0.50	931	80	92	79	75	75	76	69	60	82
		6305	1.00	1016	81	92	80	78	77	77	71	63	84
		6305	2.00	1183	84	93	84	81	80	80	75	67	86
		6305	3.00	1344	86	88	93	84	83	82	79	71	90
		6305	4.00	1497	89	90	94	87	85	85	83	74	92
	2500	4418	0.50	690	74	85	71	69	66	58	48	74	
		4418	1.00	809	77	88	75	73	72	71	64	54	78
		4418	2.00	1036	81	92	81	78	77	78	71	63	84
		4418	3.00	1233	85	86	92	82	81	81	76	68	88
		4418	4.00	1401	87	88	93	85	84	83	80	72	90
		5301	0.50	783	77	88	74	72	72	70	63	53	78
270-19	3000	5301	1.00	884	79	90	77	75	74	74	66	58	80
		5301	2.00	1080	82	92	82	79	78	78	72	64	84
		5301	3.00	1263	85	87	93	83	81	81	77	69	89
		5301	4.00	1429	88	89	93	86	84	84	81	73	91
		7069	0.50	983	81	93	80	77	77	78	71	63	84
		7069	1.00	1061	82	93	82	79	78	78	72	64	84
	4000	7069	2.00	1212	84	86	93	82	80	80	76	67	88
		7069	3.00	1359	87	88	93	84	83	83	79	71	90
		7069	4.00	1503	89	90	94	87	85	85	83	75	92
		4922	0.50	721	75	86	72	70	70	68	60	50	76
		4922	1.00	830	78	89	75	73	73	72	64	55	79
		4922	2.00	1040	81	92	81	78	77	78	71	63	84
270-20	2500	4922	3.00	1233	85	86	92	82	81	81	76	68	88
		4922	4.00	1402	87	88	93	85	84	83	80	72	90
		5907	0.50	824	78	89	76	73	73	72	65	56	79
		5907	1.00	917	79	91	78	75	75	75	68	60	81
		5907	2.00	1095	82	93	82	79	78	78	73	65	85
		5907	3.00	1268	85	87	93	83	81	81	77	69	89
	3000	5907	4.00	1429	88	89	93	86	84	84	81	73	91
		7876	0.50	1042	82	93	82	79	78	79	73	65	85
		7876	1.00	1115	83	93	83	80	79	80	74	66	86
		7876	2.00	1253	85	87	93	82	81	81	77	68	89
		7876	3.00	1387	87	88	93	85	83	83	80	72	90
		7876	4.00	1519	89	90	94	87	86	85	83	75	92

Model	OV	CFM	SP	RPM	Sound Power by Octave Bands dB Lwi								LwiA
					63	125	250	500	1000	2000	4000	8000	
270-21	2500	5454	0.50	758	76	87	73	71	72	70	63	53	77
		5454	1.00	858	78	90	76	74	74	73	66	57	80
		5454	2.00	1051	82	92	81	78	77	78	72	64	84
		5454	3.00	1234	85	86	92	82	81	81	76	68	88
		5454	4.00	1402	87	88	93	85	84	83	80	72	90
		6545	0.50	871	79	91	77	75	75	75	68	59	81
	3000	6545	1.00	957	80	92	79	77	77	76	69	62	83
		6545	2.00	1120	83	93	83	80	79	79	74	65	85
		6545	3.00	1280	85	87	93	83	81	81	77	69	89
		6545	4.00	1433	88	89	93	86	84	84	81	73	91
		8727	0.50	1108	83	94	84	80	79	80	75	67	86
		8727	1.00	1176	84	94	85	81	80	81	76	68	87
270-22	4000	8727	2.00	1304	86	87	93	84	82	82	79	70	89
		8727	3.00	1426	88	89	94	86	84	84	81	73	91
		8727	4.00	1547	90	91	94	88	86	86	84	76	93
		6013	0.50	799	77	89	75	73	73	72	65	56	79
		6013	1.00	893	79	91	77	75	75	74	67	59	81
		6013	2.00	1070	82	93	82	79	78	78	72	64	84
	2500	6013	3.00	1241	85	86	93	82	81	81	76	68	88
		6013	4.00	1403	87	88	93	85	84	83	80	72	90
		7216	0.50	922	80	92	79	76	76	77	70	63	83
		7216	1.00	1003	81	93	81	78	77	78	71	64	84
		7216	2.00	1154	84	93	84	81	79	80	75	66	86
		7216	3.00	1301	86	87	93	83	82	82	78	70	89
270-23	3000	7216	4.00	1444	88	89	93	86	84	84	81	73	91
		9621	0.50	1178	84	94	85	82	81	81	77	70	87
		9621	1.00	1243	85	87	94	83	81	81	82	79	90
		9621	2.00	1364	87	88	94	85	83	83	80	72	90
		9621	3.00	1477	89	90	94	87	85	85	83	74	92
		9621	4.00	1588	91	91	95	89	87	86	85	77	94
	2500	6600	0.50	844	78	90	77	74	74	74	67	59	80
		6600	1.00	932	80	92							

270 SOUND PERFORMANCE (PART 2 OF 2)

Model	OV	CFM	SP	RPM	Sound Power by Octave Bands dB Lwi							LwiA	
					63	125	250	500	1000	2000	4000		8000
270-26	2500	7374	0.50	879	79	92	78	75	75	76	70	63	82
		7374	1.00	965	81	93	80	77	77	78	70	62	84
		7374	2.00	1117	83	93	83	80	79	79	74	66	85
		7374	3.00	1263	85	87	93	83	81	81	77	69	89
		7374	4.00	1404	87	88	93	85	84	83	81	72	91
		9218	0.50	1056	82	94	83	79	79	80	76	70	86
	3000	9218	1.00	1131	84	94	84	81	80	81	76	69	87
		9218	2.00	1262	86	87	93	83	82	82	78	69	89
		9218	3.00	1382	87	89	94	85	83	83	81	72	91
		9218	4.00	1499	89	90	94	87	85	85	83	75	92
		11061	0.50	1237	86	88	95	83	82	83	81	74	90
		11061	1.00	1303	87	88	94	85	83	84	81	74	91
3500	11061	2.00	1420	89	90	94	86	84	85	83	74	92	
	11061	3.00	1526	90	91	95	88	86	86	85	76	93	
	11061	4.00	1627	91	92	95	90	88	87	87	79	95	
	7952	0.50	927	80	93	80	76	77	78	72	66	84	
270-27	2000	7952	1.00	1010	82	93	81	78	77	79	72	65	84
		7952	2.00	1155	84	93	84	81	80	80	75	67	86
		7952	3.00	1291	86	87	93	83	82	82	78	70	89
		7952	4.00	1424	88	89	93	86	84	84	81	73	91
		9940	0.50	1117	83	94	85	81	80	81	78	72	87
		9940	1.00	1190	85	87	94	82	81	82	78	71	89
	2500	9940	2.00	1315	87	88	94	84	82	83	80	71	90
		9940	3.00	1430	88	89	94	86	84	84	82	74	92
		9940	4.00	1539	90	91	94	88	86	86	84	76	93
		11928	0.50	1311	87	89	95	85	83	84	83	77	92
		11928	1.00	1376	88	89	95	86	84	85	83	77	92
		11928	2.00	1489	90	91	95	88	86	86	85	77	93
270-28	3000	11928	3.00	1590	91	92	95	90	87	87	87	78	94
		11928	4.00	1686	92	93	96	91	89	89	89	81	96
		6414	0.50	780	77	89	75	72	73	72	66	57	79
		6414	1.00	875	79	91	77	75	74	74	67	58	81
		6414	2.00	1045	82	93	81	78	77	78	72	64	84
		6414	3.00	1210	84	86	92	81	80	80	76	67	88
	2000	6414	4.00	1369	87	88	93	85	83	83	80	71	90
		8552	0.50	977	81	94	82	78	78	79	74	68	85
		8552	1.00	1057	83	94	83	79	78	80	74	67	85
		8552	2.00	1196	85	86	93	82	80	81	76	68	88
		8552	3.00	1324	86	88	93	84	82	82	79	71	90
		8552	4.00	1449	88	89	93	86	84	84	82	73	91
270-29	2500	10690	0.50	1181	85	95	86	82	81	82	80	74	89
		10690	1.00	1251	86	88	94	84	82	83	80	73	90
		10690	2.00	1373	88	89	94	85	84	84	81	73	91
		10690	3.00	1483	89	90	94	87	85	85	84	75	92
		10690	4.00	1586	91	92	95	89	87	87	86	78	94
		6880	0.50	818	78	90	76	74	74	74	68	60	80
	1500	6880	1.00	910	80	92	79	76	75	76	69	60	82
		6880	2.00	1071	82	93	82	79	78	79	73	64	85
		6880	3.00	1225	84	86	92	82	81	80	76	68	88
		6880	4.00	1376	87	88	93	85	83	83	80	71	90
		9174	0.50	1029	82	94	83	79	79	80	76	70	86
		9174	1.00	1107	83	94	84	80	79	81	76	69	86
270-30	2000	9174	2.00	1241	85	87	93	83	81	82	78	69	89
		9174	3.00	1363	87	88	94	85	83	83	80	72	90
		9174	4.00	1480	89	90	94	87	85	85	83	74	92
		11467	0.50	1248	86	88	95	84	82	84	81	76	91
		11467	1.00	1315	87	89	95	85	83	84	82	76	91
		11467	2.00	1433	89	90	95	87	85	85	83	75	92
	2500	11467	3.00	1539	90	91	95	89	86	86	85	77	94
		11467	4.00	1638	92	92	95	90	88	88	87	79	95
		7363	0.50	858	79	91	78	75	75	75	70	63	82
		7363	1.00	946	81	92	80	76	76	77	70	62	83
		7363	2.00	1101	83	93	83	80	79	79	74	65	85
		7363	3.00	1246	85	86	93	82	81	81	77	68	88
270-30	1500	7363	4.00	1388	87	88	93	85	83	83	80	72	90
		9817	0.50	1084	83	94	84	80	80	81	78	72	87
		9817	1.00	1160	84	94	85	82	80	82	78	71	88
		9817	2.00	1290	86	88	94	84	82	83	79	70	90
		9817	3.00	1406	88	89	94	86	84	84	82	73	91
		9817	4.00	1516	89	90	94	88	86	85	84	76	93
	2000	12272	0.50	1318	87	89	95	85	84	85	83	78	92
		12272	1.00	1384	88	89	95	87	84	85	84	78	92
		12272	2.00	1498	90	91	95	88	86	86	85	78	93
		12272	3.00	1600	91	92	96	90	87	87	87	79	95
		12272	4.00	1694	93	93	96	91	89	89	89	81	96

The sound power level ratings shown are in decibels referred to 10¹² watts calculated per AMCA Standard 301. The A-weighted sound ratings shown have been calculated per AMCA Standard 301. Values shown are for inlet LWi and inlet LWiA sound power levels for installation Type A: Free inlet, Free outlet. Ratings do not include the effects of duct.

300 SOUND PERFORMANCE (PART 1 OF 2)

Model	OV	CFM	SP	RPM	Sound Power by Octave Bands dB Lwi								LwiA
					63	125	250	500	1000	2000	4000	8000	
300-15	2500	3068	0.50	568	84	72	69	68	67	63	55	44	71
		3068	1.00	711	78	89	75	73	72	70	62	54	78
		3068	2.00	925	82	92	81	78	78	77	70	62	84
		3068	3.00	1093	86	92	85	82	81	80	76	67	87
		3068	4.00	1234	88	89	93	85	84	83	80	71	90
		3682	0.50	621	75	86	71	70	69	66	58	48	75
	3000	3682	1.00	753	79	90	76	74	74	72	64	56	80
		3682	2.00	963	83	92	82	79	79	78	72	63	84
		3682	3.00	1128	86	93	86	83	82	81	77	68	88
		3682	4.00	1267	89	90	93	86	85	84	81	72	91
		4909	0.50	742	78	90	76	74	73	72	64	55	79
		4909	1.00	852	81	92	79	77	76	75	68	60	82
4000	4909	2.00	1044	85	92	84	81	80	79	74	65	86	
	4909	3.00	1205	88	89	93	85	83	83	79	70	90	
	4909	4.00	1342	90	91	94	88	86	86	83	75	93	
	3491	0.50	570	84	72	69	68	67	63	55	45	71	
	3491	1.00	710	78	89	75	73	72	70	62	54	78	
	3491	2.00	928	82	92	81	79	78	77	71	62	84	
300-16	2500	3491	3.00	1098	86	92	86	82	81	80	76	67	87
		3491	4.00	1243	88	89	93	86	84	84	80	72	91
		4189	0.50	626	75	86	71	70	69	66	58	48	75
		4189	1.00	753	79	90	76	74	74	72	64	56	80
		4189	2.00	964	83	92	82	79	79	78	72	63	84
		4189	3.00	1133	86	93	87	83	82	81	77	68	88
	3000	4189	4.00	1277	89	90	93	86	85	84	81	73	91
		5585	0.50	754	79	90	76	74	74	72	64	56	80
		5585	1.00	856	81	92	79	77	76	75	68	60	82
		5585	2.00	1043	85	92	84	81	80	79	74	65	86
		5585	3.00	1205	88	89	93	85	83	83	79	70	90
		5585	4.00	1347	90	91	94	88	86	86	83	75	93
300-17	2500	3941	0.50	574	84	72	69	68	67	63	55	45	71
		3941	1.00	710	78	89	75	73	72	70	62	54	78
		3941	2.00	931	83	92	81	79	78	77	71	62	84
		3941	3.00	1105	86	92	86	83	81	81	76	67	87
		3941	4.00	1248	88	89	93	86	84	84	80	72	91
		4729	0.50	636	75	86	72	70	70	67	59	49	75
	3000	4729	1.00	755	79	90	76	74	74	72	64	56	80
		4729	2.00	964	83	92	82	79	79	78	72	63	84
		4729	3.00	1137	86	93	87	83	82	81	77	68	88
		4729	4.00	1281	89	90	93	86	85	84	81	73	91
		6305	0.50	776	79	91	77	75	75	73	65	57	80
		6305	1.00	868	81	92	79	77	77	76	69	61	83
300-18	4000	6305	2.00	1045	85	92	84	81	80	79	74	66	86
		6305	3.00	1204	88	89	93	85	83	83	79	70	90
		6305	4.00	1347	90	91	94	88	86	86	83	75	93
		4418	0.50	584	85	73	70	69	68	64	56	46	72
		4418	1.00	712	78	89	75	73	72	70	63	54	78
		4418	2.00	932	83	92	81	79	78	77	71	62	84
	2500	4418	3.00	1107	86	93	86	83	81	81	76	67	87
		4418	4.00	1257	89	90	93	86	84	84	80	72	91
		5301	0.50	653	76	87	73	71	71	67	60	50	76
		5301	1.00	762	79	90	76	74	74	72	65	57	80
		5301	2.00	964	83	92	82	79	79	78	72	63	84
		5301	3.00	1137	86	93	87	83	82	81	77	68	88
300-19	3000	5301	4.00	1288	89	90	93	86	85	84	81	73	91
		7069	0.50	805	80	92	78	76	75	67	59	82	
		7069	1.00	889	82	92	80	78	77	76	69	61	83
		7069	2.00	1052	85	92	84	81	80	79	74	66	86
		7069	3.00	1205	88	89	93	85	83	83	79	70	90
		7069	4.00	1346	90	91	94	88	86	86	83	75	93
	2500	4922	0.50	600	74	85	70	69	68	65	57	47	74
		4922	1.00	717	78	89	75	73	73	70	63	54	78
		4922	2.00	932	83	92	81	79	78	77	71	62	84
		4922	3.00	1109	86	93	86	83	81	81	76	67	87
		4922	4.00	1259	89	90	93	86	84	84	80	72	91
		5907	0.50	676	77	88	73	72	71	69	61	52	77
300-20	3000	5907	1.00	775	79	91	77	75	74	73	65	57	80
		5907	2.00	966	83	92	82	79	79	78	72	63	84
		5907	3.00	1136	86	93	87	83	82	81	77	68	88
		5907	4.00	1287	89	90	93	86	85	84	81	73	91
		7876	0.50	842	81	92	79	77	76	76	68	60	83
		7876	1.00	918	82	92	81	78	78	77	70	62	84
	4000	7876	2.00	1067	85	92	85	82	81	80	75	66	86
		7876	3.00	1210	88	89	93	85	84	83	79	70	90
		7876	4.00	1347	90	91	94	88	86	86	83	75	93
		5454	0.50	621	75	86	71	70	69	66	58	48	75
		5454	1.00	728	78	89	75	73	73	71	63	55	79
		5454	2.00	932	83	92	81	79	78	77	71	62	84
300-21	2500	5454	3.00	1110	86	93	86	83	81	81	76	67	87
		5454	4.00	1261	89	90	93	86	85	84	80	72	91
		6545	0.50	704	78	89	75	73	73	70	63	54	78
		6545	1.00	795	80	91	77	75	75	74	66	58	81
		6545	2.00	972	83	92	82	80	79	78	72	63	84
		6545	3.00	1137	86	93	87	83	82	81	77	68	88
	3000	6545	4.00	1286	89	90	93	86	85	84	81	73	91
		8727	0.50	884	82	93	80	78	77	77	70	62	83
		8727	1.00	955	83	93	82	79	79	78	72	63	84
		8727	2.00	1091	86	93	85	82	81	80	76	67	87
		8727	3.00	1223	88	89	93	85	84	83	79	71	90
		8727	4.00	1353	90	91	94	88	86	86	83	75	93

The sound power level ratings shown are in decibels referred to 10¹² watts calculated per AMCA Standard 301. The A-weighted sound ratings shown have been calculated per AMCA Standard 301. Values shown are for inlet Lwi and inlet LwiA sound power levels for installation Type A: Free inlet, Free outlet. Ratings do not include the effects of duct.

300 SOUND PERFORMANCE (PART 2 OF 2)

Model	OV	CFM	SP	RPM	Sound Power by Octave Bands dB Lwi						LwiA			
					63	125	250	500	1000	2000		4000	8000	
300-27	2000	7952	0.50	724	79	90	76	74	74	73	66	58	80	
		7952	1.00	807	81	92	78	76	76	75	67	59	82	
		7952	2.00	958	83	92	82	79	79	78	72	63	84	
		7952	3.00	1104	86	92	86	82	81	81	76	67	87	
	2500	7952	4.00	1246	88	89	93	86	84	84	80	72	91	
		9940	0.50	864	82	93	81	78	78	78	72	66	84	
		9940	1.00	935	83	93	82	79	79	79	73	65	85	
		9940	2.00	1063	86	93	85	82	81	80	75	67	87	
	3000	9940	3.00	1183	87	93	88	84	83	83	79	70	89	
		9940	4.00	1301	89	90	93	87	85	85	82	73	92	
		11928	0.50	1008	85	94	85	81	81	81	77	70	87	
		11928	1.00	1071	86	94	86	83	82	82	78	70	88	
2250	11928	2.00	1183	88	93	89	85	83	83	79	70	90		
	11928	3.00	1287	90	91	94	87	85	85	82	74	92		
	11928	4.00	1388	91	92	95	89	87	87	85	77	94		
	8552	0.50	759	80	91	78	75	75	75	68	61	81		
300-28	2000	8552	1.00	838	81	92	79	77	77	76	69	60	83	
		8552	2.00	982	84	93	83	80	79	78	73	64	85	
		8552	3.00	1119	86	93	86	83	82	81	76	68	87	
		8552	4.00	1253	88	90	93	86	84	84	80	72	91	
	2500	10690	0.50	909	83	93	82	79	79	79	74	68	85	
		10690	1.00	978	84	93	84	80	80	80	75	67	86	
		10690	2.00	1100	86	93	86	83	82	81	77	68	88	
		10690	3.00	1214	88	89	93	85	84	83	80	71	91	
	3000	10690	4.00	1324	90	91	94	87	86	85	82	74	92	
		12828	0.50	1063	86	94	86	83	82	82	79	73	89	
		12828	1.00	1124	87	94	88	84	83	83	80	73	89	
		12828	2.00	1233	89	90	94	86	84	84	81	72	91	
2250	12828	3.00	1332	90	92	94	88	86	86	84	75	93		
	12828	4.00	1426	92	93	95	90	88	88	86	78	95		
	6880	0.50	642	76	88	73	71	71	69	61	52	77		
	6880	1.00	735	79	90	76	74	74	72	64	56	80		
300-29	1500	6880	2.00	907	82	92	80	78	77	76	70	62	83	
		6880	3.00	1072	85	92	85	82	81	80	75	66	86	
		6880	4.00	1225	88	89	93	85	84	83	79	71	90	
		9174	0.50	796	81	93	79	76	77	77	70	64	83	
	2000	9174	1.00	873	82	93	80	78	77	77	70	62	84	
		9174	2.00	1009	84	93	84	81	80	79	74	65	86	
		9174	3.00	1138	87	93	87	83	82	81	77	68	88	
		9174	4.00	1265	89	90	93	86	85	84	81	72	91	
	2500	11467	0.50	956	84	94	84	80	80	80	76	70	86	
		11467	1.00	1023	85	94	85	82	81	81	77	69	87	
		11467	2.00	1141	87	93	87	84	83	82	78	69	89	
		11467	3.00	1248	89	90	94	86	85	84	81	72	91	
300-30	1500	11467	4.00	1352	90	92	94	88	86	86	83	75	93	
		7363	0.50	670	77	89	74	72	72	70	63	55	78	
		7363	1.00	759	79	91	77	75	75	73	65	57	80	
		7363	2.00	921	82	92	81	78	78	77	70	62	84	
	2000	7363	3.00	1078	85	92	85	82	81	80	75	67	87	
		7363	4.00	1227	88	89	93	85	84	83	79	71	90	
		9817	0.50	834	81	93	80	77	78	78	72	66	84	
		9817	1.00	909	83	93	82	79	78	78	72	64	84	
	2500	9817	2.00	1039	85	93	85	81	80	80	75	66	86	
		9817	3.00	1162	87	93	88	84	83	82	78	69	89	
		9817	4.00	1282	89	90	93	86	85	84	81	73	91	
		12272	0.50	1005	85	94	85	82	81	81	78	72	88	
300-31	1500	12272	1.00	1071	86	94	86	83	82	82	78	71	88	
		12272	2.00	1184	88	94	89	85	83	83	80	71	90	
		12272	3.00	1287	90	91	94	87	85	85	82	74	92	
		12272	4.00	1385	91	92	95	89	87	87	85	77	94	
	2000	7862	0.50	699	78	90	75	73	74	72	65	57	79	
		7862	1.00	784	80	92	78	75	75	75	67	58	81	
		7862	2.00	938	83	92	81	79	78	77	71	63	84	
		7862	3.00	1087	85	92	85	82	81	80	75	67	87	
	2500	7862	4.00	1231	88	89	93	85	84	83	80	71	90	
		10483	0.50	875	82	93	81	78	79	79	74	68	85	
		10483	1.00	947	84	93	83	80	79	79	74	66	85	
		10483	2.00	1073	86	93	86	82	81	81	76	67	87	
300-32	1500	10483	3.00	1188	88	89	93	85	83	83	79	70	90	
		10483	4.00	1301	89	90	93	87	85	85	82	73	92	
		13104	0.50	1057	86	94	87	83	82	83	80	74	89	
		13104	1.00	1120	87	94	88	84	83	83	80	73	90	
	2000	13104	2.00	1230	89	90	94	86	84	84	81	72	91	
		13104	3.00	1330	91	92	94	88	86	86	84	75	93	
		13104	4.00	1423	92	93	95	90	88	88	86	78	95	
		8378	0.50	729	79	91	77	74	75	74	67	60	81	
	2250	1500	8378	1.00	813	81	92	79	76	76	76	68	60	82
			8378	2.00	959	83	92	82	79	79	78	72	63	85
			8378	3.00	1099	86	92	86	82	81	80	76	67	87
			8378	4.00	1236	88	89	93	85	84	83	80	71	91
2000		11170	0.50	917	83	94	83	79	79	80	75	69	86	
		11170	1.00	987	85	93	84	81	80	80	75	68	86	
		11170	2.00	1109	87	93	87	83	82	82	77	68	88	
		11170	3.00	1219	88	89	93	85	84	84	80	71	91	
2250		11170	4.00	1326	90	91	94	87	86	86	83	74	92	
		12566	0.50	1013	85	94	85	82	81	82	78	73	88	
		12566	1.00	1079	86	94	87	83	82	82	79	72	89	
		12566	2.00	1192	88	89	94	85	84	84	80	71	91	
2250	12566	3.00	1294	90	91	94	87	86	85	83	74	92		
	12566	4.00	1392	91	93	95	89	87	87	85	77	94		

Model	OV	CFM	SP	RPM	Sound Power by Octave Bands dB Lwi						LwiA		
					63	125	250	500	1000	2000		4000	8000
300-33	1500	8909	0.50	761	80	92	78	75	76	75	69	63	82
		8909	1.00	842	82	93	80	77	77	77	69	61	83
		8909	2.00	983	84	93	83	80	79	79	73	64	85
		8909	3.00	1115	86	93	86	83	82	81	76	68	87
	2000	8909	4.00	1245	88	89	93	86	84	84	80	72	91
		11879	0.50	961	84	94	84	81	80	81	77	71	87
		11879	1.00	1029	85	94	85	82	81	81	77	70	87
		11879	2.00	1147	87	93	88	84	83	83	79	70	89
	2250	11879	3.00	1253	89	90	94	86	85	85	81	73	91
		11879	4.00	1355	91	92	94	88	87	86	84	76	93
		13364	0.50	1064	86	94	87	83	82	82	80	74	89
		13364	1.00	1127	87	94	88	84	83	84	81	74	90
2250	13364	2.00	1237	89	90	94	86	85	85	82	73	92	
	13364	3.00	1336	91	92	95	88	86	87	84	76	93	
2250	13364	4.00	1428	92	93	95	90	88	88	86	78	95	

The sound power level ratings shown are in decibels referred to 10¹² watts calculated per AMCA Standard 301. The A-weighted sound ratings shown have been calculated per AMCA Standard 301. Values shown are for inlet Lwi and inlet LwiA sound power levels for installation Type A: Free inlet, Free outlet. Ratings do not include the effects of duct.

330 SOUND PERFORMANCE (PART 1 OF 2)

Model	OV	CFM	SP	RPM	Sound Power by Octave Bands dB Lwi							LwiA	
					63	125	250	500	1000	2000	4000		8000
330-18	2500	4418	0.50	532	86	69	65	64	64	62	59	55	70
		4418	1.00	665	76	91	71	69	70	68	65	61	78
		4418	2.00	864	81	94	78	74	75	74	71	68	82
		4418	3.00	1014	85	94	83	78	78	77	75	72	85
		4418	4.00	1137	88	93	87	81	80	80	78	75	87
		5301	0.50	585	88	72	68	66	67	65	62	58	72
	3000	5301	1.00	704	77	92	73	70	71	69	66	63	79
		5301	2.00	902	82	94	79	75	76	75	72	69	83
		5301	3.00	1053	86	93	84	79	78	78	76	73	85
		5301	4.00	1180	89	93	88	82	81	81	79	76	88
		7069	0.50	709	77	92	73	70	71	70	67	63	79
		7069	1.00	801	79	94	76	73	74	73	70	67	82
4000	7069	2.00	976	84	94	82	77	77	74	71	68	84	
	7069	3.00	1128	88	93	86	81	80	80	78	75	87	
	7069	4.00	1257	92	90	93	84	83	83	81	78	90	
	4922	0.50	537	86	70	66	65	65	62	59	55	70	
	4922	1.00	665	76	91	71	69	69	68	65	61	78	
	4922	2.00	869	81	94	78	75	75	74	71	68	82	
330-19	2500	4922	3.00	1023	85	93	83	79	78	78	75	72	85
		4922	4.00	1152	89	93	87	82	80	81	79	75	88
		5907	0.50	596	74	88	68	67	67	65	62	58	75
		5907	1.00	705	77	92	73	70	71	70	66	63	79
		5907	2.00	902	82	94	79	75	76	75	72	69	83
		5907	3.00	1060	86	93	84	79	79	78	76	73	86
	3000	5907	4.00	1190	90	88	93	83	81	81	80	76	89
		7876	0.50	731	78	93	74	71	72	71	67	64	80
		7876	1.00	812	80	94	76	73	74	73	70	67	82
		7876	2.00	976	84	94	82	77	77	77	74	71	84
		7876	3.00	1128	88	93	86	81	80	80	78	75	87
		7876	4.00	1262	92	90	93	84	83	83	81	78	90
330-20	2500	5454	0.50	546	87	70	66	65	65	63	60	56	70
		5454	1.00	665	76	91	71	69	69	68	65	61	78
		5454	2.00	871	81	94	78	75	75	74	72	68	82
		5454	3.00	1032	85	93	83	79	78	78	76	72	85
		5454	4.00	1161	89	93	87	82	81	81	79	75	88
		6545	0.50	613	74	89	69	67	68	66	63	59	76
	3000	6545	1.00	711	77	92	73	70	71	70	67	63	79
		6545	2.00	902	82	94	79	75	76	75	72	69	83
		6545	3.00	1065	86	93	84	80	79	79	76	73	86
		6545	4.00	1198	90	89	93	83	81	82	80	76	89
		8727	0.50	760	79	94	75	72	73	72	68	65	81
		8727	1.00	833	80	94	77	74	74	73	71	67	82
330-21	4000	8727	2.00	981	84	94	82	78	77	77	74	71	84
		8727	3.00	1127	88	93	86	81	80	80	78	75	87
		8727	4.00	1261	92	90	93	84	83	83	81	78	90
		6013	0.50	561	87	71	67	66	66	64	60	56	71
		6013	1.00	669	76	91	71	69	70	68	65	61	78
		6013	2.00	872	81	94	78	75	75	74	72	68	82
	2500	6013	3.00	1035	85	93	83	79	78	78	76	72	85
		6013	4.00	1173	89	93	88	82	81	81	79	76	88
		7216	0.50	635	75	90	70	68	69	67	64	59	77
		7216	1.00	724	78	93	74	71	71	70	67	64	80
		7216	2.00	902	82	94	79	75	76	75	72	69	83
		7216	3.00	1064	86	93	84	80	79	79	76	73	86
330-22	3000	7216	4.00	1205	90	89	93	83	81	82	80	77	89
		9621	0.50	795	80	95	77	73	74	73	70	66	82
		9621	1.00	861	81	94	78	75	75	74	71	68	83
		9621	2.00	995	84	94	82	78	77	77	75	71	84
		9621	3.00	1130	88	93	86	81	80	80	78	75	87
		9621	4.00	1260	92	90	93	84	83	83	81	78	90
	2500	6600	0.50	581	88	72	68	67	67	65	61	57	72
		6600	1.00	678	76	91	72	69	70	69	65	62	78
		6600	2.00	871	81	94	78	75	75	74	72	68	82
		6600	3.00	1037	85	93	83	79	78	78	76	72	85
		6600	4.00	1176	89	93	88	82	81	81	79	76	88
		7919	0.50	662	76	91	72	69	70	68	65	60	78
330-23	3000	7919	1.00	742	78	93	74	71	72	71	68	64	80
		7919	2.00	906	82	94	79	76	76	75	72	69	83
		7919	3.00	1063	86	93	84	80	79	79	76	73	86
		7919	4.00	1205	90	89	93	83	81	82	80	77	89
		10559	0.50	834	81	95	78	75	75	74	71	67	83
		10559	1.00	896	82	94	80	76	76	75	72	68	83
	4000	10559	2.00	1017	85	94	83	79	78	78	75	72	85
		10559	3.00	1140	88	93	87	81	80	80	78	75	87
		10559	4.00	1262	92	90	93	84	83	83	81	78	90
		7213	0.50	604	75	89	69	68	68	66	62	58	76
		7213	1.00	693	77	92	73	70	71	69	66	62	79
		7213	2.00	872	81	94	78	75	75	74	72	68	82
330-24	2500	7213	3.00	1038	85	93	83	79	78	78	76	72	85
		7213	4.00	1180	89	93	88	82	81	81	79	76	88
		8656	0.50	692	78	92	73	71	71	70	66	62	79
		8656	1.00	766	79	94	75	72	73	72	69	65	81
		8656	2.00	915	82	94	80	76	76	75	73	69	83
		8656	3.00	1064	86	93	84	80	79	79	76	73	86
	3000	8656	4.00	1203	90	89	93	83	81	82	80	77	89
		11541	0.50	878	82	95	80	76	76	76	72	68	83
		11541	1.00	936	84	94	81	77	77	77	74	69	84
		11541	2.00	1047	86	94	84	79	79	78	76	72	86
		11541	3.00	1158	89	93	88	82	81	81	79	75	88
		11541	4.00	1270	92	90	93	84	83	83	82	78	91

Model	OV	CFM	SP	RPM	Sound Power by Octave Bands dB Lwi							LwiA	
					63	125	250	500	1000	2000	4000		8000
330-25	2500	7854	0.50	631	76	90	71	69	69	67	64	59	77
		7854	1.00	712	78	93	73	71	71	70	67	63	79
		7854	2.00	877	81	94	78	75	75	74	72	68	83
		7854	3.00	1037	85	93	83	79	78	78	76	72	85
		7854	4.00	1181	89	93	88	82	81	81	79	76	88
		9425	0.50	726	79	93	75	72	73	71	68	63	80
	3000	9425	1.00	795	80	95	77	73	74	73	70	66	82
		9425	2.00	931	83	94	80	76	76	76	73	69	84
		9425	3.00	1069	86	93	84	80	79	79	77	73	86
		9425	4.00	1203	90	89	93	83	81	82	80	77	89
		12566	0.50	926	84	95	82	78	78	77	74	69	84
		12566	1.00	980	85	94	83	79	78	78	75	71	85
330-26	4000	12566	2.00	1083	87	94	86	80	79	79	77	83	86
		12566	3.00	1184	90	93	89	83	81	82	80	76	89
		12566	4.00	1287	93	91	93	85	83	83	84	82	91
		8522	0.50	660	77	91	72	70	71	69	65	60	78
		8522	1.00	736	78	93	74	71	72	71	68	64	80
		8522	2.00	887	82	94	79	75	75	75	72	68	83
	2500	8522	3.00	1038	85	93	83	79	78	78	76	72	85
		8522	4.00	1181	89	93	88	82	81	81	79	76	88
		10227	0.50	763	80	94	77	73	74	73	69	65	82
		10227	1.00	828	81	95	78	74	75	74	71	67	82
		10227	2.00	953	84	94	81	77	77	76	74	70	84
		10227	3.00	1079	87	93	85	80	79	79	77	73	86
330-27	3000	10227	4.00	1206	90	89	93	83	81	82	80	77	89
		13635	0.50	976	85	95	84	79	79	78	75	71	86
		13635	1.00	1028	86	94	85	80	79	79	76	72	86
		13635	2.00	1125	88	94	87	82	80	81	78	74	88
		13635	3.00	1219	91	90	94	84	82	82	80	77	90
		13635	4.00	1313	94	91	94	86	84	84	83	79	92
	2500	9218	0.50	692	78	92	74	71	72	70	66	62	79
		9218	1.00	763	79	94							

330 SOUND PERFORMANCE (PART 2 OF 2)

Model	OV	CFM	SP	RPM	Sound Power by Octave Bands dB Lwi								LwiA
					63	125	250	500	1000	2000	4000	8000	
330-30	2000	9817	0.50	699	78	92	75	72	73	71	67	62	80
		9817	1.00	770	80	94	76	73	74	73	69	65	81
		9817	2.00	901	82	94	80	76	76	75	72	69	83
		9817	3.00	1032	85	93	83	79	78	78	76	72	85
		9817	4.00	1163	89	93	87	82	81	81	79	76	88
		12272	0.50	838	82	95	80	76	77	76	72	67	84
	2500	12272	1.00	899	83	95	81	77	77	76	73	69	84
		12272	2.00	1008	85	94	84	79	78	78	75	71	85
		12272	3.00	1113	88	93	87	81	80	80	78	74	87
		12272	4.00	1217	91	89	93	83	82	82	80	77	90
		14726	0.50	981	85	95	85	80	80	79	76	71	86
		14726	1.00	1035	87	95	86	81	80	80	77	72	87
3000	14726	2.00	1132	89	94	88	82	81	81	79	74	88	
	14726	3.00	1221	91	90	94	84	82	83	81	77	90	
	14726	4.00	1307	93	92	94	86	84	85	83	79	92	
	10483	0.50	731	79	93	77	73	74	73	68	64	81	
	10483	1.00	800	81	95	77	74	75	74	70	66	82	
	10483	2.00	923	83	94	81	77	76	76	73	69	84	
330-31	2000	10483	3.00	1046	86	93	84	79	78	78	76	85	
		10483	4.00	1170	89	93	88	82	81	81	79	88	
		13104	0.50	878	83	95	82	78	78	77	73	68	85
		13104	1.00	939	84	95	83	78	78	78	74	70	85
		13104	2.00	1044	86	94	85	80	79	79	76	72	86
		13104	3.00	1142	89	93	88	82	81	81	79	75	88
	2500	13104	4.00	1239	91	90	93	84	82	83	81	77	90
		15724	0.50	1030	87	95	86	82	81	81	78	73	88
		15724	1.00	1084	88	94	88	83	81	81	79	74	88
		15724	2.00	1177	90	94	90	84	82	82	80	76	89
		15724	3.00	1262	92	91	94	85	83	84	82	78	91
		15724	4.00	1344	94	92	95	87	85	86	84	80	93
330-32	1500	8378	0.50	613	76	89	71	69	69	67	63	58	76
		8378	1.00	693	78	92	73	70	71	70	66	62	79
		8378	2.00	845	81	94	77	74	74	74	71	68	82
		8378	3.00	1000	84	94	82	78	77	77	75	71	84
		8378	4.00	1146	88	93	87	82	80	80	78	75	87
		11170	0.50	764	80	94	78	74	75	74	70	65	82
	2000	11170	1.00	831	81	95	79	75	75	75	71	67	83
		11170	2.00	949	84	94	82	77	77	77	74	70	84
		11170	3.00	1063	86	93	85	80	79	79	77	73	86
		11170	4.00	1179	89	93	88	82	81	81	79	76	88
		13963	0.50	921	84	95	83	79	79	78	75	70	85
		13963	1.00	980	85	95	84	80	79	79	76	71	86
2500	13963	2.00	1081	87	94	86	81	80	80	77	73	87	
	13963	3.00	1175	90	93	89	83	81	82	80	75	89	
	13963	4.00	1266	92	91	94	85	83	84	82	78	91	
	8909	0.50	638	77	90	72	70	70	68	64	59	78	
	8909	1.00	715	78	93	74	71	72	71	67	63	80	
	8909	2.00	858	81	94	78	74	75	74	71	68	82	
330-33	1500	8909	3.00	1004	85	94	82	78	77	75	71	85	
		8909	4.00	1145	88	93	87	82	80	80	78	87	
		11879	0.50	799	81	95	79	76	76	75	71	66	83
		11879	1.00	864	82	95	80	76	76	76	72	67	83
		11879	2.00	977	85	94	83	78	78	77	75	70	85
		11879	3.00	1085	87	94	86	80	79	79	77	73	86
	2000	11879	4.00	1193	90	89	93	83	81	81	80	76	89
		14849	0.50	965	85	95	85	81	80	79	76	71	86
		14849	1.00	1023	86	95	86	81	80	80	77	72	87
		14849	2.00	1122	89	94	88	82	81	81	78	74	88
		14849	3.00	1211	91	90	94	84	82	83	81	76	90
		14849	4.00	1297	93	91	94	86	84	84	83	79	92
330-34	1500	9458	0.50	664	77	91	74	71	71	70	65	60	79
		9458	1.00	739	79	93	75	72	73	72	68	63	81
		9458	2.00	875	82	94	79	75	75	75	72	68	83
		9458	3.00	1011	85	94	83	78	78	77	75	72	85
		9458	4.00	1147	89	93	87	82	80	80	78	75	87
		12610	0.50	836	82	95	81	77	77	76	72	67	84
	2000	12610	1.00	899	83	95	82	77	77	77	73	68	84
		12610	2.00	1008	85	94	84	79	78	78	75	71	85
		12610	3.00	1110	88	94	87	81	80	80	78	74	87
		12610	4.00	1211	90	89	93	83	82	82	80	77	90
		15763	0.50	1012	86	95	86	82	81	81	77	72	88
		15763	1.00	1068	88	95	87	83	81	81	78	73	88
330-35	1750	15763	2.00	1164	90	94	89	83	82	82	80	75	89
		15763	3.00	1250	92	91	94	85	83	84	82	77	91
		15763	4.00	1332	94	92	95	87	85	85	84	80	92
		10022	0.50	692	78	92	75	72	73	71	67	62	80
		10022	1.00	764	80	94	76	73	74	73	69	64	81
		10022	2.00	893	82	94	80	76	76	75	72	68	83
	2000	10022	3.00	1022	85	93	83	79	78	78	75	72	85
		10022	4.00	1151	89	93	87	82	80	81	79	75	88
		11692	0.50	781	81	95	79	75	76	75	71	66	83
		11692	1.00	848	82	95	80	76	76	75	71	67	83
		11692	2.00	963	84	94	82	78	77	77	74	70	84
		11692	3.00	1073	87	94	85	80	79	79	77	73	86
2000	11692	4.00	1182	90	93	88	82	81	81	79	76	88	
	13363	0.50	873	83	95	82	78	78	77	73	68	85	
	13363	1.00	935	84	95	83	79	78	78	74	70	85	
	13363	2.00	1041	86	94	85	80	79	79	76	72	86	
	13363	3.00	1138	89	93	88	82	81	81	79	75	88	
	13363	4.00	1234	91	90	93	84	82	83	81	77	90	

Model	OV	CFM	SP	RPM	Sound Power by Octave Bands dB Lwi								LwiA
					63	125	250	500	1000	2000	4000	8000	
330-36	1500	10603	0.50	720	79	93	77	73	74	73	68	63	81
		10603	1.00	791	80	95	77	73	75	74	70	65	82
		10603	2.00	914	83	94	80	76	76	76	73	69	84
		10603	3.00	1035	85	93	83	79	78	78	76	72	85
		10603	4.00	1157	89	93	87	82	81	81	79	75	88
		12370	0.50	815	81	95	80	76	77	76	72	67	84
	1750	12370	1.00	880	83	95	81	77	77	76	73	68	84
		12370	2.00	992	85	94	83	79	78	78	75	71	85
		12370	3.00	1095	87	94	86	81	80	80	77	74	87
		12370	4.00	1199	90	89	93	83	81	82	80	76	89
		14137	0.50	911	84	95	83	79	79	78	75	69	86
		14137	1.00	973	85	95	84	80	79	79	76	71	86
2000	14137	2.00	1076	87	94	86	81	80	80	77	73	87	
	14137	3.00	1169	90	93	89	83	81	82	80	75	89	
	14137	4.00	1259	92	90	94	85	83	83	82	78	91	
	11200	0.50	749	80	94	78	74	75	74	69	64	82	
	11200	1.00	819	81	95	78	74	75	74	70	66	83	
	11200	2.00	938	83	94	81	77	77	76	73	69	84	
330-37	1500	11200	3.00	1051	86	93	84	79	79	78	76	86	
		11200	4.00	1166	89	93	88	82	81	81	79	76	88
		13067	0.50	850	82	95	82	78	78	77	73	68	84
		13067	1.00	914	84	95	82	78	78	77	74	69	85
		13067	2.00	1022	86	94	84	80	79	79	76	71	86
		13067	3.00	1121	88	94	87	82	80	80	78	74	87
	1750	13067	4.00	1219	91	89	93	83	82	82	80	77	90
		14933	0.50	952	85	95	85	81	80	79	76	71	86
		14933	1.00	1012	86	95	86	81	80	80	77	72	87
		14933	2.00	1112	88	94	88	82	81	81	78	74	88
		14933	3.00	1202	91	90	94	84	82	83	80	76	90
		14933	4.00	1288	93	91	94	86	84	84	82	79	92

The sound power level ratings shown are in decibels referred to 10¹² watts calculated per AMCA Standard 301. The A-weighted sound ratings shown have been calculated per AMCA Standard 301. Values shown are for inlet LWi and inlet LWiA sound power levels for installation Type A: Free inlet, Free outlet. Ratings do

365 SOUND PERFORMANCE (PART 1 OF 3)

Model	OV	CFM	SP	RPM	Sound Power by Octave Bands dB Lwi								LwiA
					63	125	250	500	1000	2000	4000	8000	
365-17	2500	3941	0.50	481	85	69	66	65	65	63	60	56	70
		3941	1.00	594	89	75	71	70	70	68	65	62	75
		3941	2.00	760	82	91	77	75	75	74	71	67	81
		3941	3.00	887	85	91	81	78	78	77	75	71	84
		3941	4.00	998	88	91	85	81	81	80	78	75	87
		4729	0.50	525	87	72	68	67	67	65	62	58	72
	3000	4729	1.00	635	78	91	72	71	72	70	67	64	79
		4729	2.00	799	83	91	78	76	76	75	72	69	82
		4729	3.00	925	86	91	83	79	79	78	76	72	85
		4729	4.00	1032	89	92	86	82	81	81	79	76	88
		6305	0.50	623	78	90	72	71	71	69	66	63	78
		6305	1.00	721	81	91	76	74	74	72	70	66	80
4000	6305	2.00	878	85	91	81	78	78	77	74	71	84	
	6305	3.00	1003	88	91	85	81	81	81	78	75	87	
	6305	4.00	1109	90	92	89	84	83	84	81	78	90	
	4418	0.50	481	85	69	66	65	65	63	60	56	70	
	4418	1.00	599	77	90	71	70	70	68	65	62	77	
	4418	2.00	768	82	91	77	75	75	74	71	68	81	
365-18	2500	4418	3.00	897	85	91	82	78	78	78	75	72	84
		4418	4.00	1010	88	92	85	81	81	81	78	75	87
		5301	0.50	525	87	72	68	67	67	65	62	58	72
		5301	1.00	637	79	91	72	71	72	70	67	64	79
		5301	2.00	806	83	91	78	76	76	75	72	69	82
		5301	3.00	937	86	91	83	79	79	79	76	73	85
	3000	5301	4.00	1044	89	92	86	82	82	82	79	76	88
		7069	0.50	625	78	90	72	71	71	69	66	63	78
		7069	1.00	720	81	91	75	74	74	72	70	66	80
		7069	2.00	882	85	91	81	78	78	77	74	71	84
		7069	3.00	1013	88	92	85	81	81	81	78	75	87
		7069	4.00	1121	91	92	89	84	84	84	82	78	90
365-19	2500	4922	0.50	481	85	69	66	65	65	63	60	56	70
		4922	1.00	601	77	90	71	70	70	68	65	62	77
		4922	2.00	775	82	91	77	75	75	74	71	68	82
		4922	3.00	907	86	91	82	79	78	78	75	72	85
		4922	4.00	1019	88	92	86	81	81	81	79	75	88
		5907	0.50	526	87	72	68	67	67	65	62	58	72
	3000	5907	1.00	637	79	91	72	71	72	70	67	64	79
		5907	2.00	811	83	91	79	76	76	75	72	69	82
		5907	3.00	945	86	91	83	79	79	79	76	73	86
		5907	4.00	1058	89	92	87	82	82	82	80	76	89
		7876	0.50	630	78	91	72	71	72	70	67	63	79
		7876	1.00	720	81	91	75	74	74	72	70	66	80
365-20	2500	7876	2.00	883	85	91	81	78	78	77	75	71	84
		7876	3.00	1017	88	92	86	81	81	81	79	75	87
		7876	4.00	1131	91	92	89	84	84	84	82	79	91
		5454	0.50	481	85	69	66	65	65	63	60	56	70
		5454	1.00	601	77	90	71	70	70	68	65	62	77
		5454	2.00	782	82	91	78	75	75	74	71	68	82
	3000	5454	3.00	918	86	91	82	79	79	78	76	72	85
		5454	4.00	1029	89	92	86	82	81	81	79	76	88
		6545	0.50	529	87	72	68	67	67	65	62	58	72
		6545	1.00	636	79	91	72	71	72	70	67	64	79
		6545	2.00	816	83	91	79	76	76	75	73	69	82
		6545	3.00	953	87	91	83	80	80	79	77	73	86
365-21	2500	6545	4.00	1068	89	92	87	83	82	82	80	77	89
		8727	0.50	642	79	91	73	72	72	70	67	64	79
		8727	1.00	725	81	91	76	74	74	73	70	66	80
		8727	2.00	882	85	91	81	78	78	77	75	71	84
		8727	3.00	1020	88	92	86	81	81	81	79	75	88
		8727	4.00	1137	91	92	89	84	84	84	82	79	91
	3000	6013	0.50	485	85	70	66	66	65	63	60	56	70
		6013	1.00	601	77	90	71	70	70	68	65	62	77
		6013	2.00	785	82	91	78	75	75	74	72	68	82
		6013	3.00	925	86	91	83	79	79	78	76	72	85
		6013	4.00	1042	89	92	86	82	82	82	79	76	88
		7216	0.50	538	87	73	69	68	68	66	62	59	73
365-22	2500	7216	1.00	637	79	91	72	71	72	70	67	64	79
		7216	2.00	816	83	91	79	76	76	75	73	69	82
		7216	3.00	959	87	91	84	80	80	79	77	73	86
		7216	4.00	1076	90	92	87	83	83	83	80	77	89
		8418	0.50	597	77	90	71	70	70	68	65	62	77
		8418	1.00	682	80	91	74	73	73	71	68	65	80
	3000	8418	2.00	847	84	91	80	77	77	76	73	70	83
		8418	3.00	990	88	91	85	81	80	80	78	74	87
		8418	4.00	1109	90	92	89	83	83	84	81	78	90
		6600	0.50	493	85	70	66	66	66	63	60	56	71
		6600	1.00	601	77	90	71	70	70	68	65	62	77
		6600	2.00	788	83	91	78	75	75	74	72	68	82
365-23	2500	6600	3.00	932	86	91	83	79	79	78	76	73	85
		6600	4.00	1049	89	92	87	82	82	82	79	76	88
		7919	0.50	552	88	74	69	68	68	66	63	59	73
		7919	1.00	642	79	91	73	71	72	70	67	64	79
		7919	2.00	815	83	91	79	76	76	75	72	69	82
		7919	3.00	962	87	91	84	80	80	79	77	73	86
	3000	7919	4.00	1083	90	92	88	83	83	83	80	77	89
		9239	0.50	616	78	90	72	71	71	69	66	62	78
		9239	1.00	693	80	91	75	73	73	72	69	66	80
		9239	2.00	847	84	91	80	77	77	76	73	70	83
		9239	3.00	989	88	91	85	81	80	80	78	74	87
		9239	4.00	1113	91	92	89	84	84	84	81	78	90
365-24	2500	7213	0.50	504	86	71	67	67	66	64	61	57	71
		7213	1.00	604	77	90	71	70	70	69	65	62	78
		7213	2.00	789	83	91	78	75	75	74	72	68	82
		7213	3.00	935	86	91	83	79	79	79	76	73	85
		7213	4.00	1058	89	92	87	82	82	82	80	76	89
		8656	0.50	569	89	75	70	69	69	67	64	60	74
	3000	8656	1.00	651	79	91	73	72	72	70	67	64	79
		8656	2.00	815	83	91	79	76	76	75	72	69	82
		8656	3.00	962	87	91	84	80	80	79	77	73	86
		8656	4.00	1088	90	92	88	83	83	83	81	77	89
		10098	0.50	639	80	91	73	72	72	70	67	63	79
		10098	1.00	709	81	91	75	73	74	72	69	66	80
365-25	2500	10098	2.00	851	84	91	80	77	77	76	74	70	83
		10098	3.00	988	88	91	85	81	80	80	78	74	87
		10098	4.00	1113	91	92	89	84	84	84	81	78	90
		7854	0.50	519	87	72	68	67	67	65	61	57	72
		7854	1.00	610	78	90	72	70	71	69	66	62	78
		7854	2.00	788	83	91	78	75	75	74	72	68	82
	3000	7854	3.00	939	86	91	83	79	79	79	76	73	85
		7854	4.00	1062	89	92	87	82	82	82	80	77	89
		9425	0.50	591	90	76	71	70	71	68	65	61	75
		9425	1.00	665	80	91	74	72	73	71	68	64	80
		9425	2.00	817	83	91	79	76	76	75	73	69	82
		9425	3.00	961	87	91	84	80	80	79	77	73	86
365-26	2500	9425	4.00	1088	90	92	88	83	83	83	81	77	89
		10996	0.50	666	81	91	75	73	73	71	68	64	80
		10996	1.00	730	82	91	76	74	74	73	70	66	81
		10996	2.00	859	85	91	80	77	77	76	74	70	84
		10996	3.00	989	88	91	85	81	80	80	78	74	87
		10996	4.00	1112	91	92	89	84	83	84	81	78	90
	3000	8522	0.50	538	87	73	69	68	68	66	62	58	73
		8522	1.00	620	78	90	72	71	71	69	66	63	78
		8522	2.00	787	83	91	78	75	75	74	72	68	82
		8522	3.00	939	86	91	83	79	79	79	76	73	

365 SOUND PERFORMANCE (PART 2 OF 3)

Model	OV	CFM	SP	RPM	Sound Power by Octave Bands dB Lwi								LwiA	
					63	125	250	500	1000	2000	4000	8000		
365-29	2000	9174	0.50	535	88	74	70	69	69	66	62	57	73	LwiA
		9174	1.00	612	78	90	72	71	71	69	66	62	78	
		9174	2.00	768	82	91	77	75	75	74	71	68	81	
		9174	3.00	919	86	91	82	79	79	78	76	72	85	
	2500	9174	4.00	1051	89	92	87	82	82	82	80	76	88	
		11467	0.50	632	80	91	74	73	73	71	67	63	80	
		11467	1.00	696	81	92	75	73	74	72	69	65	80	
		11467	2.00	819	84	91	79	77	77	75	73	69	83	
	3000	11467	3.00	944	86	91	83	79	79	79	76	73	86	
		11467	4.00	1067	89	92	87	83	82	82	80	77	89	
		13761	0.50	733	83	92	78	76	76	74	71	66	82	
		13761	1.00	789	84	92	79	77	77	75	72	68	83	
2000	13761	2.00	893	86	92	82	79	78	78	75	71	85		
	13761	3.00	996	88	92	85	81	81	81	78	74	87		
	13761	4.00	1100	90	92	88	83	83	83	81	78	90		
	9817	0.50	556	89	75	71	70	70	67	63	59	75		
365-30	2500	9817	1.00	629	79	91	73	71	72	70	66	63	79	
		9817	2.00	774	82	91	77	75	75	74	71	68	82	
		9817	3.00	918	86	91	82	79	79	78	76	72	85	
		9817	4.00	1051	89	92	87	82	82	82	79	76	88	
	3000	12272	0.50	659	81	92	75	74	74	72	68	64	81	
		12272	1.00	721	82	92	77	74	75	73	70	66	81	
		12272	2.00	837	84	92	80	77	77	76	73	69	83	
		12272	3.00	953	87	91	84	80	80	79	77	73	86	
	365-31	2000	12272	4.00	1070	90	92	87	83	82	82	80	77	89
			14726	0.50	767	84	92	80	77	77	76	72	67	83
			14726	1.00	821	85	92	81	78	78	77	73	69	84
			14726	2.00	920	87	92	83	79	79	79	76	72	85
2500		14726	3.00	1015	89	92	86	82	81	81	79	75	88	
		14726	4.00	1112	91	92	89	84	84	84	81	78	90	
		10483	0.50	578	89	77	72	71	71	69	64	60	76	
		10483	1.00	648	80	92	74	72	73	71	67	63	80	
365-32		3000	10483	2.00	783	83	91	78	75	75	74	72	68	82
			10483	3.00	920	86	91	82	79	79	78	76	72	85
			10483	4.00	1049	89	92	87	82	82	82	79	76	88
			13104	0.50	689	82	92	77	75	75	73	69	65	81
	1500	13104	1.00	748	83	92	78	75	76	74	71	66	82	
		13104	2.00	857	85	92	81	78	78	77	74	70	84	
		13104	3.00	965	87	92	84	80	80	80	77	73	86	
		13104	4.00	1075	90	92	87	83	83	83	80	77	89	
	365-33	2000	15724	0.50	803	85	92	81	78	78	77	73	68	84
			15724	1.00	855	86	92	82	79	79	78	75	70	85
			15724	2.00	950	87	92	84	80	80	80	77	73	86
			15724	3.00	1040	89	92	87	82	82	82	79	76	88
2500		15724	4.00	1129	91	92	90	84	84	84	82	79	91	
		8378	0.50	491	86	71	67	67	66	63	60	55	71	
		8378	1.00	576	89	75	71	69	70	67	64	60	75	
		8378	2.00	746	81	91	76	74	74	73	70	67	81	
365-34		3000	8378	3.00	902	85	91	82	78	78	78	75	72	85
			8378	4.00	1035	89	92	86	82	82	81	79	76	88
			11170	0.50	602	79	90	73	72	72	70	66	61	79
			11170	1.00	669	81	92	75	73	73	71	68	64	80
	1500	11170	2.00	796	83	91	78	76	76	75	72	68	82	
		11170	3.00	924	86	91	82	79	79	78	76	72	85	
		11170	4.00	1049	89	92	87	82	82	82	79	76	88	
		13963	0.50	720	83	92	78	76	76	74	70	66	82	
	365-35	2000	13963	1.00	777	84	92	79	76	77	75	72	67	83
			13963	2.00	881	86	92	82	78	78	78	75	70	84
			13963	3.00	982	88	92	85	81	80	80	78	74	87
			13963	4.00	1084	90	92	88	83	83	83	80	77	89
2500		8909	0.50	508	87	72	68	67	67	64	61	56	72	
		8909	1.00	588	89	76	71	70	70	68	65	61	75	
		8909	2.00	749	82	91	76	74	75	73	70	67	81	
		8909	3.00	903	85	91	82	78	78	78	75	72	85	
365-36		3000	8909	4.00	1036	89	92	86	82	82	82	79	76	88
			11879	0.50	627	80	91	74	73	73	71	67	63	80
			11879	1.00	691	81	92	75	73	74	72	69	64	80
			11879	2.00	811	84	91	79	76	76	75	72	69	83
	1500	11879	3.00	931	86	91	83	79	79	78	76	73	85	
		11879	4.00	1052	89	92	87	82	82	82	80	76	88	
		14849	0.50	751	84	92	79	77	77	76	72	67	83	
		14849	1.00	807	85	92	80	78	78	76	73	68	84	
	365-37	2000	14849	2.00	907	86	92	83	79	79	78	75	71	85
			14849	3.00	1002	88	92	86	81	81	81	78	74	87
			14849	4.00	1097	90	92	88	83	83	83	81	78	90
			9458	0.50	527	87	74	69	68	68	66	62	57	73
2500		9458	1.00	603	78	90	72	71	71	69	65	61	78	
		9458	2.00	753	82	91	77	74	75	73	71	67	81	
		9458	3.00	902	85	91	82	78	78	78	75	72	85	
		9458	4.00	1037	89	92	86	82	82	82	79	76	88	
365-38		3000	12610	0.50	653	81	92	76	74	75	72	68	64	81
			12610	1.00	716	82	92	76	74	75	73	69	65	81
			12610	2.00	829	84	92	80	77	77	76	73	69	83
			12610	3.00	942	86	91	83	79	79	79	76	73	86
	1500	12610	4.00	1055	89	92	87	82	82	82	80	76	88	
		15763	0.50	784	84	92	81	78	78	77	73	68	84	
		15763	1.00	839	85	92	82	79	79	78	74	69	85	
		15763	2.00	935	87	92	84	80	80	79	76	72	86	
	365-39	2000	15763	3.00	1025	89	92	87	82	82	82	79	75	88
			15763	4.00	1115	91	92	89	84	84	84	82	78	90
			10022	0.50	546	88	75	71	69	70	67	63	58	74
			10022	1.00	619	79	91	73	71	72	70	66	62	79
2500		10022	2.00	761	82	91	77	75	75	74	71	67	81	
		10022	3.00	903	85	91	82	78	78	78	75	72	85	
		10022	4.00	1036	89	92	86	82	82	81	79	76	88	
		13363	0.50	680	82	92	77	75	75	73	69	65	81	
365-40		3000	13363	1.00	741	83	92	78	75	76	74	70	66	82
			13363	2.00	850	85	92	81	78	78	77	74	70	84
			13363	3.00	955	87	92	84	80	80	79	77	73	86
			13363	4.00	1062	89	92	87	82	82	82	80	77	89
	1500	16703	0.50	819	85	93	82	79	79	78	74	69	85	
		16703	1.00	872	86	93	83	80	80	79	75	70	86	
		16703	2.00	965	88	92	85	81	81	80	77	73	87	
		16703	3.00	1051	90	93	88	83	83	83	80	76	89	
	365-41	2000	16703	4.00	1135	91	93	90	85	84	85	82	79	91
			10603	0.50	566	89	76	72	70	71	68	64	59	75
			10603	1.00	637	80	91	73	72	73	70	67	63	79
			10603	2.00	771	82	91	77	75	75	74	71	68	82
2500		10603	3.00	906	86	91	82	78	78	78	75	72	85	
		10603	4.00	1036	89	92	86	82	82	82	79	76	88	
		12370	0.50	637	81	92	75	73	74	72	68	63	80	
		12370	1.00	700	82	92	76	74	74	73	69	65	81	
365-42		3000	12370	2.00	817	84	91	79	77	77	76	73	69	83
			12370	3.00	931	86	91	83	79	79	78	76	73	85
			12370	4.00	1047	89	92	87	82	82	82	79	76	88
			14137	0.50	708	83	92	78	76	76	74	70	66	82
	1500	14137	1.00	767	84	92	79	76	77	75	71	67	83	
		14137	2.00											

365 SOUND PERFORMANCE (PART 3 OF 3)

Model	OV	CFM	SP	RPM	Sound Power by Octave Bands dB Lwi								LwiA	
					63	125	250	500	1000	2000	4000	8000		
365-41	1500	13753	0.50	679	82	92	77	75	76	74	69	65	82	
		13753	1.00	742	83	92	78	76	76	74	70	66	82	
		13753	2.00	849	85	92	81	78	78	77	74	69	84	
		13753	3.00	952	87	92	84	80	80	79	77	73	86	
		13753	4.00	1055	89	92	87	82	82	82	80	76	88	
		16045	0.50	771	84	93	81	78	78	77	73	68	84	
	1750	16045	1.00	829	85	92	82	79	79	78	74	69	85	
		16045	2.00	926	87	92	84	80	80	79	76	72	86	
		16045	3.00	1015	89	92	86	82	82	82	79	75	88	
		16045	4.00	1103	90	92	89	84	83	84	81	78	90	
		18337	0.50	863	86	93	85	81	81	80	76	71	87	
		18337	1.00	917	87	93	86	82	81	81	77	72	87	
2000	18337	2.00	1008	89	93	87	82	82	82	79	74	88		
	18337	3.00	1089	90	93	89	84	84	84	81	77	90		
	18337	4.00	1167	-	-	-	-	-	-	-	-	-		
	365-42	1500	14432	0.50	704	83	92	79	76	77	75	70	82	
			14432	1.00	765	84	92	79	76	77	75	71	83	
			14432	2.00	870	86	92	82	78	78	78	74	70	84
14432			3.00	968	87	92	84	80	80	80	77	73	87	
14432			4.00	1066	89	92	87	82	82	82	80	77	89	
16837			0.50	800	85	93	82	79	79	78	74	69	85	
1750	16837	1.00	857	86	93	83	80	80	79	75	70	85		
	16837	2.00	952	88	92	85	81	81	80	77	72	87		
	16837	3.00	1038	89	92	87	83	82	82	80	75	89		
	16837	4.00	1122	91	92	90	84	84	84	82	78	91		
	19242	0.50	897	87	93	86	82	82	81	77	72	88		
	19242	1.00	950	88	93	87	83	82	82	78	73	88		
2000	19242	2.00	1039	90	93	88	83	83	83	80	75	89		
	19242	3.00	1118	91	93	90	85	84	85	82	78	91		
	19242	4.00	1192	-	-	-	-	-	-	-	-	-		
	365-43	1500	15127	0.50	730	83	92	80	77	77	76	71	83	
			15127	1.00	790	84	92	80	77	78	76	72	68	83
			15127	2.00	891	86	92	83	79	79	78	75	71	85
15127			3.00	985	88	92	85	81	81	81	78	74	87	
15127			4.00	1079	90	92	88	83	83	83	80	77	89	
17648			0.50	830	86	93	84	80	80	79	75	70	86	
1750	17648	1.00	886	87	93	84	81	80	80	76	71	86		
	17648	2.00	980	88	93	86	82	81	81	78	73	88		
	17648	3.00	1063	90	93	88	83	83	83	80	76	89		
	17648	4.00	1143	-	-	-	-	-	-	-	-	-		
	20169	0.50	932	88	93	87	83	83	82	78	73	89		
	20169	1.00	984	89	93	88	84	83	83	80	74	89		
2000	20169	2.00	1072	90	93	90	84	84	84	81	77	90		
	20169	3.00	1148	-	-	-	-	-	-	-	-	-		
	20169	4.00	1221	-	-	-	-	-	-	-	-	-		
	365-44	1500	15839	0.50	756	84	93	81	78	78	76	72	84	
			15839	1.00	816	85	92	81	78	78	77	73	68	84
			15839	2.00	915	87	92	84	80	80	79	76	71	86
15839			3.00	1005	88	92	86	82	81	81	78	74	88	
15839			4.00	1094	90	92	88	83	83	83	81	77	90	
18479			0.50	861	86	93	85	81	81	80	76	71	87	
1750	18479	1.00	917	87	93	86	82	81	81	77	72	87		
	18479	2.00	1008	89	93	87	82	82	82	79	74	88		
	18479	3.00	1089	90	93	89	84	84	84	81	77	90		
	18479	4.00	1166	-	-	-	-	-	-	-	-	-		
	21118	0.50	968	89	94	88	84	83	83	80	74	90		
	21118	1.00	1019	90	94	89	85	84	84	81	76	90		
2000	21118	2.00	1105	91	94	91	85	85	86	82	78	92		
	21118	3.00	1180	-	-	-	-	-	-	-	-	-		
	21118	4.00	1250	-	-	-	-	-	-	-	-	-		

The sound power level ratings shown are in decibels referred to 10¹² watts calculated per AMCA Standard 301. The A-weighted sound ratings shown have been calculated per AMCA Standard 301. Values shown are for inlet Lwi and inlet LwiA sound power levels for installation Type A: Free inlet, Free outlet. Ratings do not include the effects of duct.

402 SOUND PERFORMANCE (PART 1 OF 2)

Model	OV	CFM	SP	RPM	Sound Power by Octave Bands dB Lwi								LwiA	
					63	125	250	500	1000	2000	4000	8000		
402-21	2000	4811	0.50	401	80	67	65	65	63	61	58	53	68	
		4811	1.00	513	85	74	70	70	70	67	64	61	74	
		4811	2.00	669	89	89	76	75	75	74	71	67	81	
		4811	3.00	788	89	90	81	78	79	78	75	71	84	
	2500	4811	4.00	888	89	91	85	81	82	81	78	75	87	
		6013	0.50	436	82	70	66	66	66	63	60	56	70	
		6013	1.00	545	87	76	71	71	71	69	66	62	76	
		6013	2.00	703	89	89	78	76	76	75	72	68	82	
	3000	6013	3.00	823	89	90	82	79	80	79	76	73	85	
		6013	4.00	924	89	92	86	81	83	82	79	76	89	
		7216	0.50	477	84	72	68	68	68	65	62	59	73	
		7216	1.00	578	88	78	73	72	73	70	67	64	77	
402-22	2000	7216	2.00	736	89	89	79	77	77	76	73	83		
		7216	3.00	858	89	91	84	80	81	80	77	74	86	
		7216	4.00	960	88	92	88	82	84	84	81	77	90	
		3960	0.50	370	78	65	63	63	61	59	56	51	66	
	2500	3960	1.00	484	84	73	69	69	68	66	63	59	73	
		3960	2.00	641	89	89	75	74	75	73	70	66	80	
		3960	3.00	761	89	89	80	77	78	77	74	70	84	
		3960	4.00	863	89	91	84	80	81	80	77	74	87	
	3000	5280	0.50	400	80	67	64	65	63	61	58	53	68	
		5280	1.00	515	85	74	70	70	70	67	64	61	75	
		5280	2.00	676	89	89	77	75	75	74	71	68	81	
		5280	3.00	797	89	90	81	78	79	78	75	72	85	
402-23	2000	5280	4.00	898	89	91	85	81	82	81	78	88		
		6600	0.50	436	82	70	66	66	66	63	60	56	70	
		6600	1.00	546	87	76	71	71	71	69	66	63	76	
		6600	2.00	709	89	89	78	76	76	75	72	69	82	
	2500	6600	3.00	832	89	90	83	79	80	79	76	73	86	
		6600	4.00	932	89	92	87	82	83	83	80	76	89	
		4328	0.50	370	78	65	63	63	61	59	56	51	66	
		4328	1.00	487	84	73	69	69	68	66	63	59	73	
	3000	4328	2.00	646	89	89	75	74	75	73	70	67	80	
		4328	3.00	771	89	90	80	78	78	77	74	71	84	
		4328	4.00	873	89	91	84	80	81	81	78	74	87	
		5770	0.50	400	80	67	64	64	63	61	58	53	68	
402-24	2000	5770	1.00	517	85	74	70	70	70	67	64	75		
		5770	2.00	683	89	89	77	75	76	74	71	68	81	
		5770	3.00	805	89	90	82	79	79	78	75	72	85	
		5770	4.00	909	89	91	86	81	82	82	79	76	88	
	2500	7213	0.50	439	82	70	67	66	66	63	60	56	71	
		7213	1.00	545	87	76	71	71	71	69	66	62	76	
		7213	2.00	712	89	89	78	76	77	75	72	69	82	
		7213	3.00	838	89	90	83	79	80	79	76	73	86	
	3000	7213	4.00	943	88	92	87	82	83	83	80	77	89	
		4712	0.50	370	78	65	63	63	61	59	56	51	66	
		4712	1.00	491	84	73	69	69	69	66	63	59	73	
		4712	2.00	653	89	89	76	75	75	73	70	67	80	
402-25	2000	4712	3.00	774	89	90	81	78	78	77	74	84		
		4712	4.00	876	89	91	84	80	81	81	78	74	87	
		6283	0.50	401	80	67	65	65	63	61	58	53	68	
		6283	1.00	517	85	74	70	70	70	67	64	61	75	
	2500	6283	2.00	686	89	89	77	75	76	74	71	68	81	
		6283	3.00	811	89	90	82	79	79	78	76	72	85	
		6283	4.00	914	89	91	86	81	82	82	79	76	88	
		7854	0.50	445	82	70	67	67	66	64	60	57	71	
	3000	7854	1.00	545	87	76	71	71	71	69	66	62	76	
		7854	2.00	715	89	89	78	76	77	75	72	69	82	
		7854	3.00	843	89	90	83	79	80	80	77	73	86	
		7854	4.00	950	88	92	87	82	83	83	80	77	89	
402-26	2000	5113	0.50	370	78	65	63	63	61	59	56	61		
		5113	1.00	492	84	73	69	69	69	66	63	59	73	
		5113	2.00	659	89	89	76	75	75	73	70	67	81	
		5113	3.00	780	89	90	81	78	78	77	74	71	84	
	2500	5113	4.00	882	89	91	85	80	81	81	78	75	87	
		6818	0.50	405	80	67	65	65	64	61	58	54	69	
		6818	1.00	516	85	74	70	70	70	67	64	61	75	
		6818	2.00	691	89	89	77	76	76	74	71	68	82	
	3000	6818	3.00	819	89	90	82	79	80	79	76	72	85	
		6818	4.00	922	89	92	86	81	83	82	79	76	88	
		8522	0.50	454	83	71	67	67	67	64	61	57	71	
		8522	1.00	546	87	76	71	71	71	69	66	63	76	
402-27	2000	8522	2.00	714	89	89	78	76	77	75	72	82		
		8522	3.00	848	89	90	83	80	80	80	77	73	86	
		8522	4.00	956	88	92	87	82	84	83	80	77	90	
		5531	0.50	370	78	65	63	63	62	59	56	51	66	
	2500	5531	1.00	493	84	73	69	69	69	66	63	60	73	
		5531	2.00	663	89	89	76	75	75	73	70	67	81	
		5531	3.00	790	89	90	81	78	79	78	75	71	84	
		5531	4.00	893	89	91	85	81	82	81	78	75	88	
	3000	7374	0.50	410	81	68	65	65	64	61	58	54	69	
		7374	1.00	516	85	74	70	70	70	67	64	61	75	
		7374	2.00	692	89	89	77	76	76	74	71	68	82	
		7374	3.00	823	89	90	82	79	80	79	76	73	85	
402-28	2000	7374	4.00	932	89	92	87	82	83	83	80	76	89	
		9218	0.50	465	83	72	68	68	67	65	61	57	72	
		9218	1.00	550	87	76	72	71	71	69	66	63	76	
		9218	2.00	714	89	89	78	76	77	75	72	69	82	
	2500	9218	3.00	850	89	91	83	80	80	80	77	74	86	
		9218	4.00	962	88	92	88	82	84	84	81	78	90	
		5964	0.50	372	78	65	63	63	62	59	56	51	67	
		5964	1.00	494	84	73	69	69	69	66	63	60	74	
	402-29	2000	5964	2.00	669	89	89	76	75	75	74	71	81	
			5964	3.00	794	89	90	81	78	79	78	75	72	85
			5964	4.00	899	89	91	85	81	82	81	78	75	88
			7952	0.50	418	81	69	66	66	65	62	59	54	70
2500		7952	1.00	518	86	75	70	70	70	67	64	61	75	
		7952	2.00	693	89	89	77	76	76	74	71	68	82	
		7952	3.00	828	89	90	83	79	80	79	76	73	86	
		7952	4.00	936	89	92	87	82	83	83	80	77	89	
3000		9940	0.50	479	84	73	69	69	69	68	66	62	73	
		9940	1.00	558	87	77	72	72	72	69	66	63	77	
		9940	2.00	714	89	89	78	76	77	75	72	69	82	
		9940	3.00	851	89	91	83	80	80	80	77	74	86	
402-30	2000	9940	4.00	965	88	92	88	82	84	84	81	78	90	
		6414	0.50	375	79	65	63	63	62	59	56	51	67	
		6414	1.00	493	84	73	69	69	69	66	63	60	73	
		6414	2.00	671	89	89	76	75	75	74	71	67	81	
	2500	6414	3.00	800	89	90	81	78	79	78	75	72	85	
		6414	4.00	904	89	91	85	81	82	82	79	75	88	
		7483	0.50	399	80	67	65	65	64	61	57	53	68	
		7483	1.00	505	85	74	70	69	69	67	64	60	74	
	3000	7483	2.00	684	89	89	77	75	76	74	71	68	81	
		7483	3.00	819	89	90	82	79	80	79	76	72	85	
		7483	4.00	925	89	92	86	81	83	82	79	76	89	
		8552	0.50	428	82	69	66	66	65	63	59	55	70	
402-31	2000	8552	1.00	521	86	75	70	70	70	68	65	75		
		8552	2.00	694	89	89	77	76	76	74	72	68	82	
		8552	3.00	830	89	90	83	79	80	79	76	73	86	
		8552	4.00	944	88	92	87	82	83	83	80	77	89	
	2500	6880	0.50	380	79	66	64	64	62	59	56	51	67	
		6880	1.00	493	84	73	69	69	69	66	63	60	73	
		6880	2.00	675	89	89	77	75	75	74	71	68	81	
		6880	3.00	807	89	90	82	79	79	78	75</			

402 SOUND PERFORMANCE (PART 2 OF 2)

Model	OV	CFM	SP	RPM	Sound Power by Octave Bands dB Lwi								LwiA
					63	125	250	500	1000	2000	4000	8000	
402-33	1500	8909	0.50	416	82	69	66	66	65	62	58	53	70
		8909	1.00	504	85	74	70	70	69	67	64	60	74
		8909	2.00	675	89	89	77	75	75	74	71	68	81
		8909	3.00	819	89	90	82	79	80	79	76	72	85
		8909	4.00	932	89	92	87	82	83	83	80	76	89
		10394	0.50	458	84	72	68	68	68	65	61	56	72
	1750	10394	1.00	533	87	76	71	71	71	68	65	61	76
		10394	2.00	685	89	89	77	75	76	74	71	68	81
		10394	3.00	826	89	90	83	79	80	79	76	73	85
		10394	4.00	946	88	92	87	82	83	83	80	77	89
		11879	0.50	503	86	75	71	71	70	67	63	59	75
		11879	1.00	569	88	78	73	72	73	70	67	63	77
2000	11879	2.00	701	89	89	78	76	76	75	72	68	82	
	11879	3.00	833	89	90	83	79	80	79	76	73	86	
	11879	4.00	953	88	92	87	82	83	83	80	77	89	
	9458	0.50	428	82	70	67	67	66	63	59	54	70	
	9458	1.00	511	85	75	70	70	70	67	64	60	74	
	9458	2.00	675	89	89	77	75	75	74	71	68	81	
402-34	1500	9458	3.00	818	89	90	82	79	80	79	76	72	85
		9458	4.00	939	88	92	87	82	83	83	80	77	89
		11034	0.50	473	85	73	69	69	69	66	62	57	73
		11034	1.00	545	87	77	72	71	72	69	66	62	76
		11034	2.00	687	89	89	77	75	76	74	71	68	81
		11034	3.00	825	89	90	82	79	80	79	76	73	85
	1750	11034	4.00	946	88	92	87	82	83	83	80	77	89
		12610	0.50	521	87	77	72	71	72	69	65	60	76
		12610	1.00	585	89	79	74	73	74	71	67	64	78
		12610	2.00	709	89	89	78	76	77	75	72	69	82
		12610	3.00	833	89	90	83	79	80	79	76	73	86
		12610	4.00	952	88	92	87	82	83	83	80	77	89
402-35	1500	10022	0.50	441	83	71	67	67	67	63	60	55	71
		10022	1.00	519	86	75	71	70	70	68	64	60	75
		10022	2.00	677	89	89	77	75	76	74	71	68	81
		10022	3.00	819	89	90	82	79	80	79	76	72	85
		10022	4.00	938	88	92	87	82	83	83	80	77	89
		11692	0.50	490	85	75	70	70	67	67	63	58	74
	1750	11692	1.00	558	88	78	72	72	72	70	66	62	77
		11692	2.00	692	89	89	77	76	76	74	71	68	82
		11692	3.00	825	89	90	82	79	80	79	76	73	85
		11692	4.00	946	88	92	87	82	83	83	80	77	89
		13363	0.50	540	88	78	73	72	73	70	66	61	77
		13363	1.00	602	88	89	74	74	74	72	68	64	80
2000	13363	2.00	719	89	89	79	77	77	75	72	69	82	
	13363	3.00	837	89	90	83	79	80	79	76	73	86	
	13363	4.00	952	88	92	87	82	83	83	80	77	89	
	10603	0.50	455	84	72	68	68	67	64	60	56	72	
	10603	1.00	529	86	76	71	71	71	68	65	61	75	
	10603	2.00	678	89	89	77	75	76	74	71	68	81	
402-36	1500	10603	3.00	819	89	90	82	79	80	79	76	72	85
		10603	4.00	941	88	92	87	82	83	83	80	77	89
		12370	0.50	507	86	76	71	71	71	68	64	59	75
		12370	1.00	572	88	79	73	73	73	70	67	63	78
		12370	2.00	699	89	89	78	76	76	75	72	68	82
		12370	3.00	827	89	90	83	79	80	79	76	73	86
	1750	12370	4.00	947	88	92	87	82	83	83	80	77	89
		14137	0.50	561	88	79	74	73	74	71	67	62	78
		14137	1.00	620	88	89	75	74	75	72	69	65	80
		14137	2.00	730	89	90	79	77	77	76	73	69	83
		14137	3.00	842	89	90	83	79	80	79	77	73	86
		14137	4.00	953	88	92	87	82	83	83	80	77	89
402-37	1500	11200	0.50	470	84	73	69	69	65	61	56	73	
		11200	1.00	541	87	77	72	71	72	69	65	61	76
		11200	2.00	681	89	89	77	75	76	74	71	68	81
		11200	3.00	818	89	90	82	79	80	79	76	72	85
		11200	4.00	940	88	92	87	82	83	83	80	77	89
		13067	0.50	525	87	77	72	72	72	69	65	60	76
	1750	13067	1.00	588	89	79	74	73	74	71	67	64	78
		13067	2.00	707	89	89	78	76	77	75	72	68	82
		13067	3.00	828	89	90	83	79	80	79	76	73	86
		13067	4.00	945	88	92	87	82	83	83	80	77	89
		14933	0.50	582	89	81	75	74	75	72	68	64	79
		14933	1.00	639	88	89	76	75	75	73	69	65	81
402-38	1500	14933	2.00	744	89	90	80	77	78	76	73	69	83
		14933	3.00	849	89	90	83	80	80	80	77	73	86
		14933	4.00	955	88	92	87	82	84	83	80	77	89
		11814	0.50	486	85	74	70	70	70	66	62	57	74
		11814	1.00	554	88	77	72	72	72	70	66	62	77
		11814	2.00	686	89	89	77	75	76	74	71	68	81
	1750	11814	3.00	819	89	90	82	79	80	79	76	72	85
		11814	4.00	940	88	92	87	82	83	83	80	77	89
		13783	0.50	544	88	78	73	73	73	70	66	61	77
		13783	1.00	605	88	89	75	74	74	72	68	64	80
		13783	2.00	718	89	89	79	77	77	75	72	69	83
		13783	3.00	832	89	90	83	79	80	79	76	73	86
2000	13783	4.00	946	88	92	87	82	83	83	80	77	89	
	15752	0.50	603	88	90	76	75	76	73	69	64	81	
	15752	1.00	660	89	90	77	76	76	74	70	66	81	
	15752	2.00	760	89	90	81	78	78	77	74	70	84	
	15752	3.00	859	89	91	84	80	81	80	77	74	87	
	15752	4.00	960	88	92	88	82	84	84	81	77	90	

Model	OV	CFM	SP	RPM	Sound Power by Octave Bands dB Lwi								LwiA
					63	125	250	500	1000	2000	4000	8000	
402-39	1500	12444	0.50	502	86	76	71	71	71	68	63	59	75
		12444	1.00	567	88	78	73	73	73	70	67	63	77
		12444	2.00	693	89	89	77	76	76	74	71	68	82
		12444	3.00	820	89	90	82	79	80	79	76	72	85
		12444	4.00	940	88	92	87	82	83	83	80	77	89
		14518	0.50	563	89	80	74	74	74	71	67	62	79
	1750	14518	1.00	622	88	89	75	74	75	73	69	65	80
		14518	2.00	730	89	90	79	77	77	76	73	69	83
		14518	3.00	839	89	90	83	79	80	79	76	73	86
		14518	4.00	948	88	92	87	82	83	83	80	77	89
		16592	0.50	626	88	90	77	76	77	74	70	65	82
		16592	1.00	681	89	90	78	76	77	75	71	67	82
2000	16592	2.00	778	89	90	81	78	79	78	74	70	85	
	16592	3.00	871	89	91	85	80	81	81	78	74	87	
	16592	4.00	966	88	92	88	82	84	84	81	78	90	
	13090	0.50	519	87	77	72	72	72	69	64	60	76	
	13090	1.00	582	89	79	74	73	74	71	67	63	78	
	13090	2.00	702	89	89	78	76	76	75	72	68	82	
402-40	1500	13090	3.00	822	89	90	82	79	80	79	76	73	85
		13090	4.00	939	88	92	87	82	83	83	80	77	89
		15272	0.50	584	89	81	76	75	75	72	68	64	80
		15272	1.00	641	88	90	76	75	76	73	69	65	81
		15272	2.00	745	89	90	80	77	78	77	73	69	83
		15272	3.00	847	89	90	83	80	80	80	77	73	86
	1750	15272	4.00	950	88	92	87	82	83	83	80	77	89
		17453	0.50	649	89	90	79	77	78	75	71	66	83
		17453	1.00	703	89	90	80	77	78	76	72	68	83
		17453	2.00	796	89	91	82	79	80	79	75	71	85
		17453	3.00	886	89	92	85	81	82	81	78	74	88
		17453	4.00	975	-	-	-	-	-	-	-	-	-
402-41	1500	13753	0.50	536	87	78	73	73	73	70	66	61	77
		13753	1.00	598	88	89	7						

PENNBARRY PRODUCT SOLUTIONS



Commercial

- Roof & wall exhaust centrifugal fans
- Ceiling, wall, & inline centrifugal fans
- Roof supply centrifugal fans
- Square & round centrifugal fans
- Wall mounted axial fans
- Hooded roof axial fans
- Upblast roof axial fans
- Gravity ventilators
- Roof curbs



Industrial

- Freestanding centrifugal fans
- Industrial & material handling fans
- Tubular centrifugal inline fans
- Mixed flow centrifugal fans
- Plug & plenum fans
- Wall mounted propeller fans
- Tube axial fans
- Vane axial fans
- Bifurcator fans
- Lab exhaust



Kitchen ventilation

- Make-up air units
- Exhaust fans



Energy recovery

- Outdoor units
- Indoor units

PennBarry is proud to be your preferred manufacturer of commercial and industrial fans and blowers. Learn how PennBarry can assist you in your next application by contacting your PennBarry Representative or visiting us on the web at www.pennbarry.com

PennBarry | www.pennbarry.com | pennbarrysales@pennbarry.com | Tel 972 212 4700 | Fax 972 212 4702

PennBarry reserves the right to make changes at any time, without notice, to models, construction, specifications, options and availability. This document illustrates the appearance of PennBarry products at the time of publication. View the latest updates on the PennBarry website.

© 2018 PennBarry. All rights reserved. vPlume AUGUST 2018.



PENNBARRY™