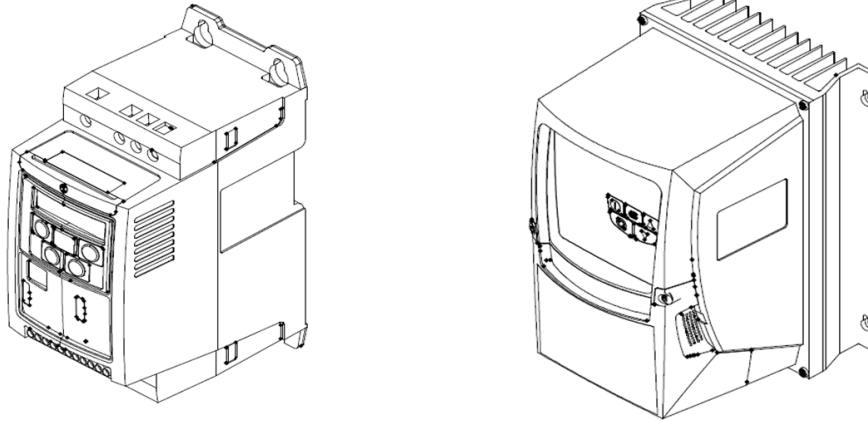


VFD Dimensions



VSC	IP20							IP66					
	HP Range			Dimensions				HP Range		Dimensions			
	115V ±10%	230V ±10%	460V ±10%	Height in. (mm)	Width in. (mm)	Depth in. (mm)	Weight lbs	230V ±10%	460V ±10%	Height in. (mm)	Width in. (mm)	Depth in. (mm)	Weight lbs
FS1	0.5 -1	0.5 -2	1	7.24 (184)	3.19 (81)	4.88 (124)	2.4	0.5 -2	1	9.13 (232)	6.34 (151)	7.24 (184)	6.17
FS2	1.5	3	2-5	9.09 (231)	4.21 (107)	5.98 (152)	5.7	3	2-5	10.12 (257)	7.4 (188)	7.56 (192)	11.02
FS3		5	7.5-15	10.75 (273)	5.16 (131)	6.89 (175)	8.8	5	7.5-10	12.2 (310)	8.27 (210)	9.45 (240)	18.08
FS4		7.5-15	20-30	16.48 (418.5)	6.81 (173)	8.31 (211)	18.3						

VSA	IP20							IP66						
	HP Range			Dimensions				HP Range			Dimensions			
	230V ±10%	460V ±10%	575V ±10%	Height in. (mm)	Width in. (mm)	Depth in. (mm)	Weight lbs	230V ±10%	460V ±10%	575V ±10%	Height in. (mm)	Width in. (mm)	Depth in. (mm)	Weight lbs
FS2	1-3	1-5	1-7.5	9.09 (231)	4.21 (107)	7.32 (186)	4	1-3	1-5	1-7.5	10.12 (257)	7.4 (188)	9.42 (239.3)	10.4
FS3	5-7.5	7.5-15	10-20	10.75 (273)	5.16 (131)	8.03 (204)	7.7	5	7.5-10	10-15	12.2 (310)	8.29 (211)	7.56 (192)	15.9



PennBarry | www.pennbarry.com | pennbarrysales@pennbarry.com | Tel: 972.212.4700 | Fax: 972.212.4702

PennBarry reserves the right to make changes at any time, without notice, to models, construction, specifications, options or availability. This bulletin illustrates the appearance of PennBarry products at the time of publication. View the latest updates on the PennBarry website.