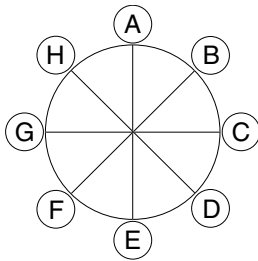
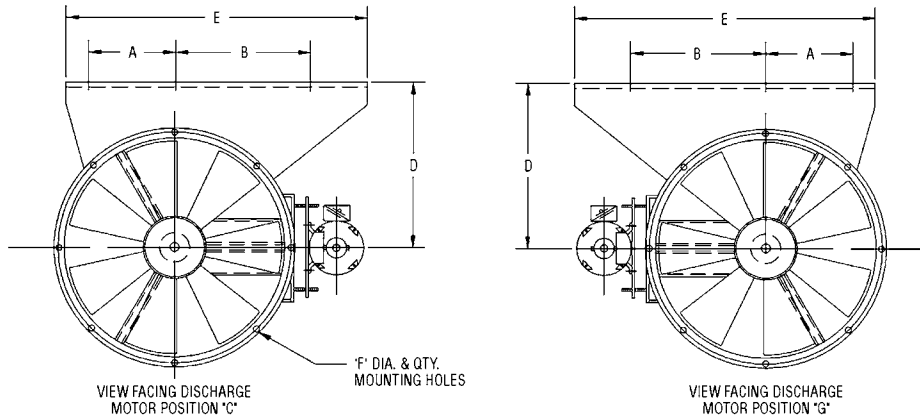
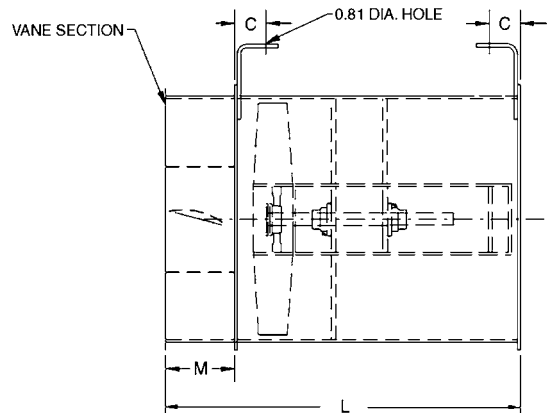


# Vaneaxial Fan Belt Drive, Offset Ceiling Hanger



Discharge View  
(see notes)



- Notes:**
1. Approximate fan weights are less motor, drive and accessories.
  2. Propeller is eight-bladed cast aluminum.
  3. Available only in motor positions C and G.

## Dimensional Data

Size	A	B	C	D	E	F	L - Mtr. Frame Size				M
							Design 1	Max. Mtr.	Design 2	Max. Mtr.	
012	7.38	17.50	2.88	11.00	28.88	0.44-3	29.63	184	—	—	5.63
015	8.88	19.00	2.88	13.00	31.88	0.44-3	29.63	184	—	—	5.63
018	10.38	21.25	2.88	14.50	35.63	0.44-3	33.63	215	—	—	5.63
021	11.88	22.75	2.88	16.00	38.63	0.44-3	34.38	215	—	—	6.38
024	13.38	25.75	2.88	18.00	43.13	0.50-3	35.38	215	39.38	286	7.38
030	16.13	28.50	2.88	21.50	48.63	0.50-3	37.06	215	45.06	286	9.06
036	19.44	31.75	2.88	25.00	55.19	0.50-3	47.13	256	53.13	326	11.13
042	22.50	35.50	2.88	29.00	62.00	0.63-5	48.69	256	54.69	326	12.69
048	25.50	39.50	3.13	33.25	69.00	0.63-5	56.50	286	62.50	405	14.50
054	28.56	42.25	3.13	36.25	74.81	0.63-5	64.31	286	70.31	405	16.31
060	31.63	46.25	3.13	39.25	81.88	0.63-5	66.31	286	72.31	405	18.31



PENNBARRY™

1401 North Plano Road, Richardson, TX 75081  
Ph: 972.234.3202 Fax: 972.497.0468  
www.PennBarry.com

## Submittal Sheet Vaneaxial Fan - Model VXB Offset Ceiling Hanger Belt Drive

This drawing illustrates our understanding of order requirements. When approved, it represents details for fabrication, as such, PennBarry will not be responsible for revisions in the field or other changes after release for fabrication. Published and protected by PennBarry, Richardson, TX. All rights reserved. May not be reproduced partially or in full without permission from the publisher. No rights conveyed to manufacture partially or in full, use or sell either the method of construction represented or any invention in any way related thereto.