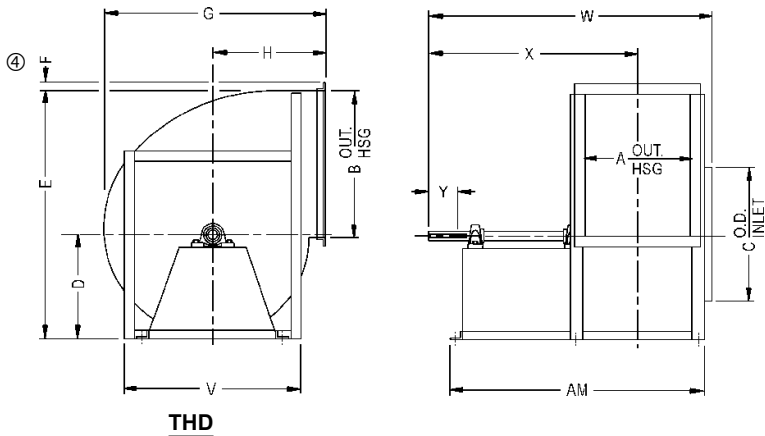


VCR

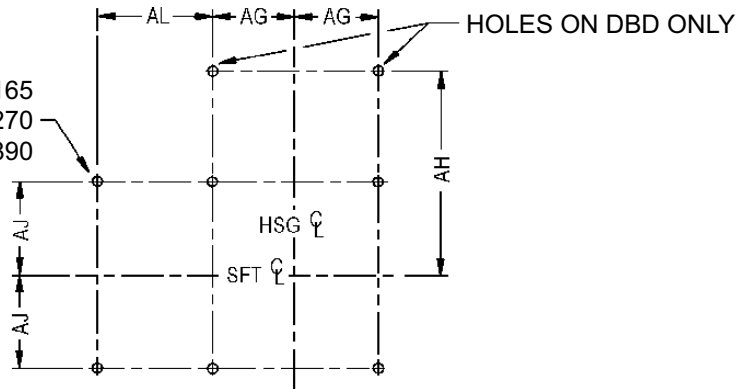
BI & AF - Arrangement 1, SWSI, Class III



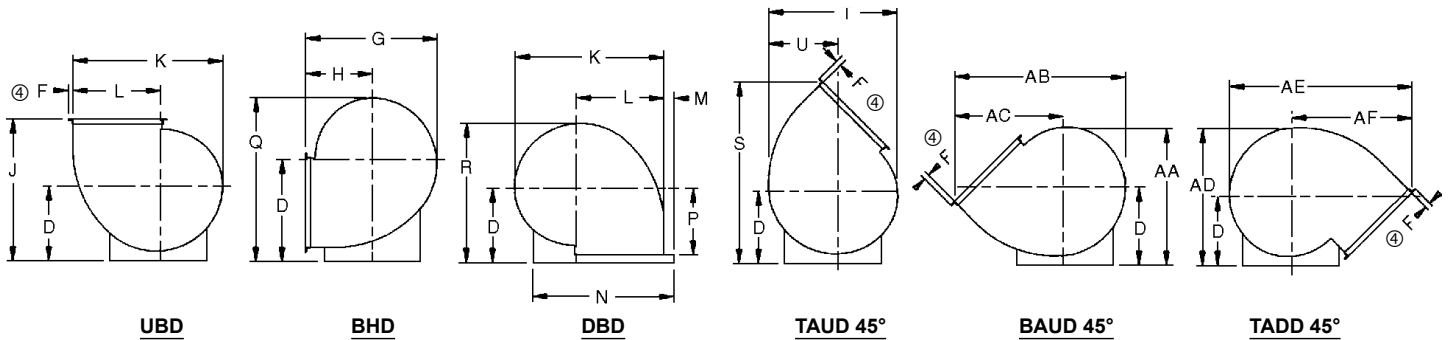
Notes

1. CW rotation shown; CCW rotation similar but opposite.
2. AF available in sizes 182 through 890.
3. BI available in sizes 182 through 890.
4. Discharge angles standard on all sizes. (Hole punching optional on all sizes.)
5. On specific sales orders, see Fan Data Schedule for performance and accessory information.

7/16 DIA. BASE HOLES, 122 - 165
 9/16 DIA. BASE HOLES, 182 - 270
 13/16 DIA. BASE HOLES, 300 - 890



BOTTOM VIEW



UBD

BHD

DBD

TAUD 45°

BAUD 45°

TADD 45°



PENNBARRY™

1401 North Plano Road, Richardson, TX 75081
 Ph: 972.234.3202 Fax: 972.497.0468
 www.PennBarry.com

Submittal Sheet

VCR

BI & AF

Arrangement I, SWSI, Class III

VCR


BI & AF - Arrangement 1, SWSI, Class III cont.

Dimensional Data

Size	A	B	C	"D" Centerline of Fan						E	F	G	H	J	K	L	M	N	P	Q	R	S	
				THD	UBD	BHD	DBD	TAUD	BAUD														TADD
122	9 13/16	13 1/8	13 1/4	10 1/4	11 1/2	15	10 1/4	11	12 1/4	15 1/4	23 1/4	1 1/4	21	10 3/8	21 7/8	22 3/8	13	2	24 7/8	10 1/4	24 3/8	20 7/8	28 1/2
135	10 7/8	14 7/16	14 9/16	11 1/4	12 3/4	16 1/4	11 1/4	12	13 1/4	16	25 9/16	1 1/4	23 1/16	11 3/8	24 1/8	24 5/8	14 5/16	2	26 13/16	11 1/4	26 9/16	22 15/16	31 1/8
150	12	16	16 3/16	12 1/4	14	18	12 1/2	13 1/4	14 3/4	16 3/4	28 1/8	1 1/4	25 5/8	12 5/8	26 5/8	27 3/8	15 7/8	2	29 1/4	12 1/2	29 1/2	25 1/2	34 5/16
165	13 1/4	17 1/2	17 3/4	13 1/2	15 1/4	19 1/2	13 3/4	14 1/2	16 1/4	17 1/2	30 7/8	1 1/2	28 3/16	13 7/8	29 1/8	30	17 3/8	2	31 1/2	13 3/4	32 1/8	28 1/16	37 11/16
182	14 7/16	19 1/2	19 1/2	14 3/4	16 3/4	22	14 1/2	15 3/4	17 3/4	18 1/2	34 1/8	1 1/2	30 3/8	14 5/8	31 3/8	33 1/4	19 3/8	2	34 7/8	14 1/2	35 7/8	30 1/4	41 1/16
200	16 1/16	21 1/2	21 3/8	16 1/4	18 1/4	24	16	17 1/4	19 1/4	19 1/2	37 9/16	1 1/2	33 3/8	16	34 1/4	36 5/8	21 5/16	2	37 13/16	16	39 5/16	33 3/8	45 7/16
222	17 9/16	23 7/8	23 3/4	18	20 1/2	26 1/2	18	19 1/4	22	21	41 11/16	2	37 5/16	18	38 1/2	40 11/16	23 11/16	2 1/2	42 5/16	18	43 1/2	37 5/16	50 3/8
245	19 11/16	26 3/16	26 1/16	20	22 1/2	28 3/4	19 1/2	21 1/4	24	22	46	2	40 11/16	19 1/2	42	44 11/16	26	2 1/2	45 3/4	19 1/2	47 7/16	40 11/16	55
270	21 3/4	28 7/8	28 1/2	22	24 3/4	31 1/2	21 1/2	23 1/2	26 1/4	23 1/2	50 11/16	2	44 13/16	21 1/2	46 1/4	49 1/4	28 11/16	2 1/2	49 11/16	21 1/2	52 1/16	44 13/16	60 11/16
300	23 13/16	32	31 5/8	24 1/2	27 1/2	34 3/4	24	26	29 1/2	26	56 5/16	2	49 15/16	24	51 1/2	54 11/16	31 13/16	3	55 13/16	24	57 5/8	49 15/16	67 5/16
330	26 3/8	35 1/8	34 3/4	27	30	37 3/4	26 1/2	28 1/2	32 1/4	27 3/4	61 15/16	2	55	26 1/2	56 1/2	60 1/16	34 15/16	3	60 7/16	26 1/2	62 7/8	55	73 13/16
365	29	38 7/8	38 1/2	29 1/2	33 1/2	41 1/2	29	31 1/2	35 1/2	29 1/4	68 3/16	2	60 9/16	29	62 1/2	66 1/2	38 11/16	3	65 11/16	29	69 5/16	60 9/16	81 1/16
402	32 3/16	42 3/4	42 7/16	33	37	45 1/2	32	35 1/4	39 1/2	31 3/4	75 9/16	2	66 13/16	32	69	73 1/4	42 9/16	4	72 13/16	32	76 3/16	66 13/16	89 5/8
445	35 3/8	47 3/8	46 7/8	35 1/2	40	50	33 3/4	38 1/2	43 1/4	36 1/4	82 11/16	2	72 3/16	33 3/4	73 3/4	81 1/16	47 3/16	4	79 7/16	33 3/4	83 7/8	72 3/16	97 5/8
490	39 1/8	52	51 5/8	39	44	54 3/4	37 1/2	42 1/4	47 1/2	38 3/4	90 13/16	2	79 3/4	37 1/2	81 1/2	89 1/16	51 13/16	4	86 9/16	37 1/2	92	79 3/4	107 7/16
542	42 7/8	57 5/8	57 1/8	43 1/2	49	60 3/4	40 1/2	46 1/2	52 1/4	42 1/4	101 15/16	2 1/2	87 3/8	40 1/2	89 1/2	98 3/4	57 7/16	5	96 7/16	40 1/2	102 1/16	87 3/8	118 1/16
600	47 1/2	63 5/8	63 1/8	48	54	66 3/4	44 1/2	51 1/4	57 1/2	45	111 1/2	2 1/2	96 1/4	44 1/2	98 1/2	109 1/16	63 7/16	5	105 7/16	44 1/2	112 3/8	96 1/4	129 11/16
660	52 5/8	70	69 3/8	52 1/2	59	73 3/4	49	55 3/4	63	49 1/2	123 5/16	3	105 13/16	49	108	119 13/16	69 13/16	6	116 5/16	49	123 3/4	105 13/16	142 3/4
730	58	77 3/4	76 3/4	57	64 1/2	81 1/4	57 3/4	61 3/4	69 1/2	54 1/4	135 3/16	3	120 11/16	57 3/4	122 1/4	132 5/8	77 3/16	6	127 11/16	57 3/4	136 11/16	120 11/16	159 5/8
807	63 15/16	85 9/16	84 7/8	63	72	89 1/2	63 3/4	67 1/2	76 1/2	59 1/2	149 3/8	3	133 3/8	63 3/4	135 3/4	146 11/16	85 3/8	6	139 5/8	63 3/4	150 13/16	133 3/8	175 9/16
890	70 1/8	94 3/8	93 3/8	69 1/4	78 1/4	98 1/4	70 1/2	73 3/4	85	65 1/2	164 7/16	3	174 3/16	70 1/2	148 3/4	161 3/4	94 3/16	6	153 15/16	70 1/2	165 13/16	147 3/16	192 1/2

Size	T	U	V	W	X	Y	"Z" - BI		"Z" - AF		AA	AB	AC	AD	AE	AF	AG	AH	AJ	AL	AM
							SFT	KWY	SFT	KWY											
122	20	11 1/4	19 3/4	26 3/4	18 13/16	3	1 11/16	3/8 x 3/16	--	--	21	27 1/2	17 1/2	26 1/2	32 3/4	22 3/4	6 1/16	14 1/8	6 1/2	10 1/2	24 3/8
135	22	12 3/8	21	28 1/4	19 13/16	3	1 11/16	3/8 x 3/16	--	--	22 7/8	30 1/8	19 1/8	28 3/8	35 7/16	24 7/16	6 9/16	15 7/16	7 1/8	11	25 7/8
150	24 7/16	13 3/4	22 3/4	31 3/8	22 3/8	3 1/2	1 11/16	3/8 x 3/16	--	--	25 7/16	33 5/16	21 1/16	30 1/2	38 5/8	26 3/8	7 1/8	17	8	12 1/2	28 1/2
165	26 7/8	15 1/8	24 1/4	33 1/8	23 1/2	3 1/2	1 11/16	3/8 x 3/16	--	--	28	36 5/8	23 3/16	32 5/8	41 3/4	28 5/16	7 3/4	18 1/2	8 3/4	13	30 1/4
182	29 11/16	16 3/4	27	36 3/8	26 1/8	4 1/2	1 11/16	3/8 x 3/16	1 11/16	3/8 x 3/16	30 11/16	40 1/8	25 5/16	35 1/4	45 1/2	30 11/16	8 3/8	20 1/2	9 5/8	14	32 1/2
200	32 11/16	18 7/16	29	39	27 15/16	4 1/2	1 11/16	3/8 x 3/16	1 11/16	3/8 x 3/16	33 1/2	44 1/16	28 3/16	37 15/16	49 1/2	33 3/16	9 3/16	22 7/16	10 5/8	15	35 1/8
222	36 5/16	20 1/2	32 1/4	43 1/2	31 3/16	5	1 15/16	1/2 x 1/4	1 15/16	1/2 x 1/4	37 13/16	49 1/4	31 1/8	41 1/2	55 1/16	36 15/16	10 3/16	25 1/16	11 1/2	17	39 5/8
245	40	22 9/16	34 1/2	48	34 5/8	6	2 3/16	1/2 x 1/4	2 3/16	1/2 x 1/4	41 7/16	53 11/16	33 3/4	44 9/16	59 3/8	39 7/16	11 1/4	27 3/8	12 5/8	18 1/2	43 1/4
270	44	24 13/16	37	52	37 5/8	6	2 3/16	1/2 x 1/4	2 3/16	1/2 x 1/4	45 7/16	59 1/8	37 3/16	48 5/16	64 9/16	42 5/8	12 1/4	30 1/16	13 7/8	20 1/2	47 1/4
300	48 15/16	27 9/16	42	58 1/8	42 3/16	7	2 7/16	5/8 x 5/16	2 7/16	5/8 x 5/16	50 7/8	65 3/4	41 5/16	53 9/16	72	47 9/16	13 9/16	33 7/16	15 5/8	22 1/2	52 3/8
330	53 3/4	30 5/16	45	62 5/8	45 7/16	7	2 11/16	5/8 x 5/16	2 11/16	5/8 x 5/16	55 11/16	72 1/8	45 5/16	58 1/16	78 3/8	51 9/16	14 13/16	36 5/16	17 1/8	24 1/2	56 7/8
365	59 5/8	33 5/8	48	66 3/4	48 1/4	7	2 11/16	5/8 x 5/16	2 11/16	5/8 x 5/16	61 1/2	79 5/16	49 9/16	62 7/8	85 5/16	55 9/16	16 1/8	40 5/16	18 5/8	26	61
402	65 11/16	37 1/16	52 1/2	73 3/4	52 5/8	8	2 11/16	5/8 x 5/16	2 11/16	5/8 x 5/16	68 1/8	87 1/8	54 3/8	68 13/16	93 1/2	60 3/4	18 1/4	44 11/16	20 3/8	28	68 1/4
445	72 9/16	40 15/16	56 1/2	80 1/4	57 9/16	8	3 7/16	7/8 x 7/16	3 7/16	7/8 x 7/16	74 7/8	95 5/16	59 1/8	77 3/16	102 9/16	66 3/8	19 13/16	49 5/16	22 3/8	31	74 3/8
490	79 13/16	45	61 1/2	86 3/4	62 3/16	9	3 7/16	7/8 x 7/16	3 7/16	7/8 x 7/16	82 5/16	105	65 3/16	83 3/4	112 1/4	72 7/16	21 11/16	53 15/16	24 7/8	33	80 1/8
542	88 7/16	49 7/8	68	92 1/2	65 1/16	9	3 15/16	1 x 1/2	3 15/16	1 x 1/2	90 13/16	115 11/16	71 9/16	92 1/8	123 5/8	79 1/2	24 1/16	60 1/16	27 1/8	34	86 7/8
600	97 3/4	55 1/8	74	100 1/2	70 3/4	9 1/2	4 15/16	1 1/4 x 5/8	4 15/16	1 1/4 x 5/8	100 1/8	127 3/16	78 7/16	100 1/8	135 1/4	86 1/2	26 3/8	66 1/16	30 1/8	37	94 1/2
660	107 3/16	60 9/16	81	110 1/8	76 13/16	10	4 15/16	1 1/4 x 5/8	4 15/16	1 1/4 x 5/8	109 5/8	140 7/16	87	110 1/16	149 3/16	95 3/4	29 7/16	72 15/16	32 5/8	40	104 5/8
730	119	67 1/4	89	119 1/4	83 1/4	10 1/2	4 15/16	1 1/4 x 5/8	4 15/16	1 1/4 x 5/8	121 1/4	157 1/8	97 7/8	121 1/2	163 5/8	104 3/8	32 1/8	80 5/16	36 5/8	43	113
807	131 11/16	74 3/16	96 1/2	128 1/4	89 1/4	10 1/2	5 7/16	1 1/4 x 5/8	5 7/16	1 1/4 x 5/8	134	173 13/16	108 1/16	133 11/16	180 7/16	114 11/16	35 1/8	88 1/2	40 3/8	46	122
890	145 5/8	81 11/16	107 1/2	137 7/8	95 13/16	11	5 7/16	1 1/4 x 5/8	5 7/16	1 1/4 x 5/8	148 15/16	191	118 3/4	147 3/16	191 3/16	128 15/16	38 3/16	97 5/16	45 7/8	49	131 1/8

Tolerance ± 1/8
Not to be used for construction.
Certified drawings available upon request.


PENNBARRY™
1401 North Plano Road, Richardson, TX 75081
Ph: 972.234.3202 Fax: 972.497.0468
www.PennBarry.com

Submittal Sheet

VCR

BI & AF

Arrangement I, SWSI, Class III cont.

This drawing illustrates our understanding of order requirements. When approved, it represents details for fabrication, as such, PennBarry will not be responsible for revisions in the field or other changes after release for fabrication. Published and protected by PennBarry, Richardson, TX. All rights reserved. May not be reproduced partially or in full without permission from the publisher. No rights conveyed to manufacture partially or in full, use or sell either the method of construction represented or any invention in any way related thereto.