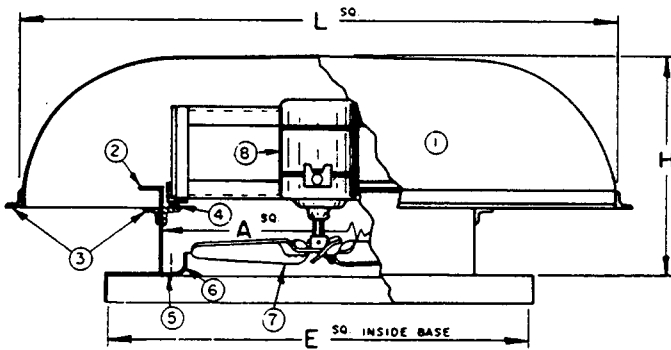
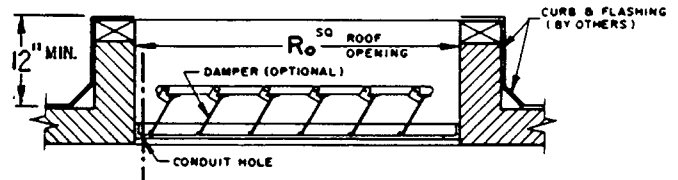
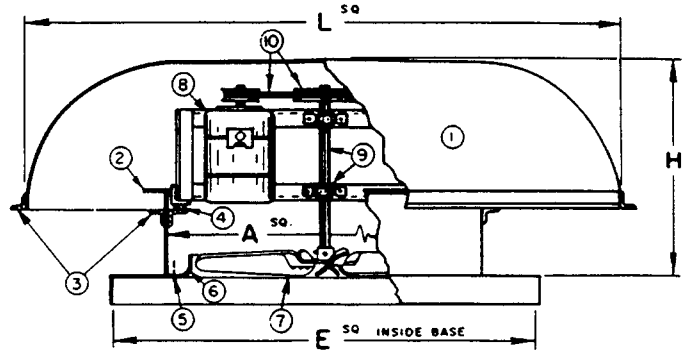


Airette

Direct Drive



Belt Drive



"Field Built Curb"

Legend

1. Access Hood
2. Weather Baffle
3. Angle Frame
4. Anti-Vibration Mounts
5. Conduit Space
6. Fan Inlet Venturi
7. Axial Impeller
8. Electric Motor
9. Fan Shaft & Bearings (Belt Drive Only)
10. Belt & Pulleys (Belt Drive Only)

Installing contractors should secure mounting base to roof curbs with lag bolts and washers or other proper fasteners 12" O.C. When hoods are removed from airshafts during erection, installation contractors are cautioned to reset hoods properly with all fasteners drawn fully tight. In areas subjected to high winds, it is recommended that large units be guyed down.

Dimensional Data

		24	30	36	42	48	54	60	72
L	Supply*	48	57	66	75	84	93	101 x 128	93 x 190
	Exhaust	39	48	57	66	75	84	93	93 x 160
H		21	25	25	29	29	31	33	43
A		26	32	38	44	50	56	62	74
Ro		25	31	36	44	50	55	62	72
E†		35	41	47	53	59	65	71	83

† Outside dimension of curb should be 1 1/2" less than 'E' dimension.

All dimensions in inches.

* Standard hood dimensions for supply units, larger hoods may be required for proper intake velocity.

Material: Galvanized Steel Housing (Aluminum housing available as an option).



PENNBARRY™

1401 North Plano Road, Richardson, TX 75081

Ph: 972.234.3202 Fax: 972.497.0468

www.PennBarry.com

Submittal Sheet

Airette

**Direct and Belt Drive
Axial Flow Propeller Roof Ventilators
Exhaust or Supply**