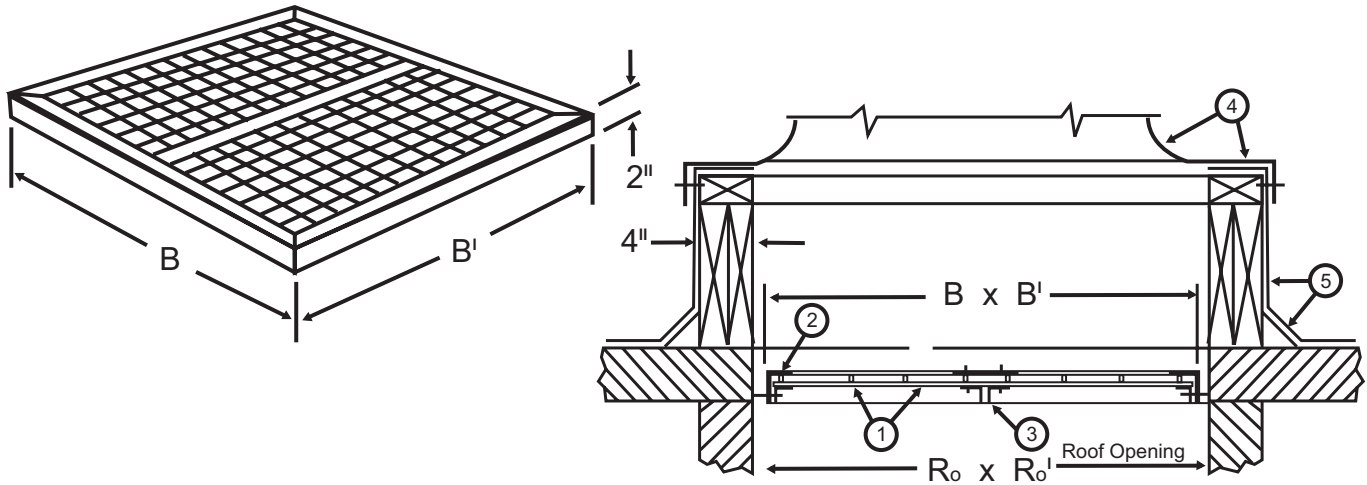


Hi-Ex Safety Screen for Mounting in Room Opening



Legend

1. Wire Mesh #12 Ga. (2" X 2")
2. Perimeter Angle Frame - (sizes 60" & 72" only)
3. Center Support - (sizes 48" & Larger)
4. Hi-Ex Ventilator Base
5. Curb and Flashing (By Others)

Field Built Roof Curb (Screen Mounted in Roof Opening)

Dimensional Data

		24	30	36	42	48	54	60	72	84
HC, HF, HX	Ro X Ro'	26 X 26	32 X 32	38 X 38	44 X 44	51 X 51	57 X 57	63 X 63	75 X 75	NA
	B X B'	25 ¹ / ₂ X 25 ¹ / ₂	31 ¹ / ₂ X 31 ¹ / ₂	37 ¹ / ₂ X 37 ¹ / ₂	43 ¹ / ₂ X 43 ¹ / ₂	50 ¹ / ₂ X 50 ¹ / ₂	56 ¹ / ₂ X 56 ¹ / ₂	62 ¹ / ₂ X 62 ¹ / ₂	74 ¹ / ₂ X 74 ¹ / ₂	NA
HZ*	Ro X Ro'	30 ¹ / ₂ X 30 ¹ / ₂	36 ¹ / ₂ X 36 ¹ / ₂	42 ¹ / ₂ X 42 ¹ / ₂	48 ¹ / ₂ X 48 ¹ / ₂	54 ¹ / ₂ X 54 ¹ / ₂	60 ¹ / ₂ X 60 ¹ / ₂	66 ¹ / ₂ X 66 ¹ / ₂	78 ¹ / ₂ X 78 ¹ / ₂	90 ¹ / ₂ X 90 ¹ / ₂
	B X B'	30 X 30	36 X 36	42 X 42	48 X 48	54 X 54	60 X 60	66 X 66	78 X 78	90 X 90
HS*	Ro X Ro'	29 X 29	34 X 34	40 X 40	46 X 46	52 X 52	61 ¹ / ₂ X 61 ¹ / ₂	67 ¹ / ₂ X 67 ¹ / ₂	NA	NA
	B X B'	28 ¹ / ₂ X 28 ¹ / ₂	33 ¹ / ₂ X 33 ¹ / ₂	39 ¹ / ₂ X 39 ¹ / ₂	45 ¹ / ₂ X 45 ¹ / ₂	51 ¹ / ₂ X 51 ¹ / ₂	61 X 61	67 X 67	NA	NA

*On models 'HZ' and 'HS' where drive assembly hangs below inside roof curb, a minimum clearance of 4" for safety screen should be allowed.

All dimensions in inches.

Material: Galvanized Steel

<p style="margin: 0;">PENNBARRY™</p> <p style="margin: 0;">1401 North Plano Road, Richardson, TX 75081 Ph: 972.234.3202 Fax: 972.497.0468 www.PennBarry.com</p>	<h2 style="margin: 0;">Submittal Sheet</h2> <h3 style="margin: 0;">Hi-Ex "Safety Screen"</h3>
--	---

This drawing illustrates our understanding of order requirements. When approved, it represents details for fabrication, as such, PennBarry will not be responsible for revisions in the field or other changes after release for fabrication. Published and protected by PennBarry, Richardson, TX. All rights reserved. May not be reproduced partially or in full without permission from the publisher. No rights conveyed to manufacture partially or in full, use or sell either the method of construction represented or any invention in any way related thereto.