



DEPARTMENT OF REGULATORY AND ECONOMIC RESOURCES (RER)
BOARD AND CODE ADMINISTRATION DIVISION
NOTICE OF ACCEPTANCE (NOA)

MIAMI-DADE COUNTY
PRODUCT CONTROL SECTION
11805 SW 26 Street, Room 208
Miami, Florida 33175-2474
T (786) 315-2590 F (786) 315-2599
www.miamidade.gov/economy

Air System Components, Inc. dba PennBarry
605 Shiloh Rd.
Plano, TX 75074

SCOPE:

This NOA is being issued under the applicable rules and regulations governing the use of construction materials. The documentation submitted has been reviewed and accepted by Miami-Dade County RER-Product Control Section to be used in Miami Dade County and other areas where allowed by the Authority Having Jurisdiction (AHJ).

This NOA shall not be valid after the expiration date stated below. The Miami-Dade County Product Control Section (In Miami Dade County) and/or the AHJ (in areas other than Miami Dade County) reserve the right to have this product or material tested for quality assurance purposes. If this product or material fails to perform in the accepted manner, the manufacturer will incur the expense of such testing and the AHJ may immediately revoke, modify, or suspend the use of such product or material within their jurisdiction. RER reserves the right to revoke this acceptance if it is determined by Miami-Dade County Product Control Section that this product or material fails to meet the requirements of the applicable building code.

This product is approved as described herein and has been designed to comply with the Florida Building Code, including the High Velocity Hurricane Zone.

DESCRIPTION: Series AC Powered Airette Exhaust and Supply Steel Rooftop Fans

APPROVAL DOCUMENT: Drawing No. **24555-0**, titled "Power Airette Exhaust and Supply Hooded Propeller Roof Ventilators", sheets 1 through 11 of 11, dated 09/09/2016, prepared by Air System Components, Inc. dba PennBarry, signed and sealed by Gary T. Hartman, P.E. on 01/25/2022, bearing the Miami-Dade County Product Control revision stamp with the Notice of Acceptance number and expiration date by the Miami-Dade County Product Control Section.

MISSILE IMPACT RATING: Large and Small Missile Impact Resistant

LABELING: Each unit shall bear a permanent label with the manufacturer's name or logo, city, state, model/series, and following statement: "Miami-Dade County Product Control Approved", unless otherwise noted herein.

RENEWAL of this NOA shall be considered after a renewal application has been filed and there has been no change in the applicable building code negatively affecting the performance of this product.

TERMINATION of this NOA will occur after the expiration date or if there has been a revision or change in the materials, use, and/or manufacture of the product or process. Misuse of this NOA as an endorsement of any product, for sales, advertising or any other purposes shall automatically terminate this NOA. Failure to comply with any section of this NOA shall be cause for termination and removal of NOA.

ADVERTISEMENT: The NOA number preceded by the words Miami-Dade County, Florida, and followed by the expiration date may be displayed in advertising literature. If any portion of the NOA is displayed, then it shall be done in its entirety.

INSPECTION: A copy of this entire NOA shall be provided to the user by the manufacturer or its distributors and shall be available for inspection at the job site at the request of the Building Official.

This NOA **renews** and **revises** **NOA # 17-0112.10** and consists of this page 1 and evidence pages E-1 and E-2, as well as approval document mentioned above.

The submitted documentation was reviewed by **Carlos M. Utrera, P.E.**



NOA No. 22-0901.03
Expiration Date: September 7, 2027
Approval Date: October 6, 2022
Page 1

NOTICE OF ACCEPTANCE: EVIDENCE SUBMITTED

1. Evidence submitted under NOA # 17-0112.10

A. DRAWINGS

1. Drawing No. **24555-0**, titled “Power Airette Exhaust and Supply Hooded Propeller Roof Ventilators”, sheets 1 through 11 of 11, dated 09/09/2016, prepared by Air System Components, Inc. dba PennBarry, signed and sealed by Thomas D. Sullivan, P.E. on 08/14/2017.

B. TESTS

1. Test reports on 1) Uniform Static Air Pressure Test, Loading per FBC TAS 202-94
2) Large Missile Impact Test per FBC, TAS 201-94
along with marked-up drawings and installation diagram of Powered Airette AC Rooftop Supply Fans, prepared by Intertek/ATI, Test Report No. **G2358.01-801-18**, dated 09/23/2016, with revision dated 03/09/2017, signed and sealed by Tyler Westerling, P.E.

C. CALCULATIONS

1. Anchoring verification calculations prepared by JB & B Engineering Consultants, LLC, dated 08/09/2017, signed and sealed by Thomas D. Sullivan, P.E.

D. QUALITY ASSURANCE

1. Miami-Dade Department of Regulatory and Economic Resources (RER)

E. MATERIAL CERTIFICATIONS

1. None.

F. STATEMENTS

1. Statement letter of code conformance to the 5th Edition (2014) FBC and of no financial interest issued by JB & B Engineering Consultants, LLC, dated 04/03/2017 and signed and sealed by Thomas D. Sullivan, P.E.



Carlos M. Utrera, P.E.
Product Control Examiner
NOA No. 22-0901.03
Expiration Date: September 7, 2027
Approval Date: October 6, 2022

NOTICE OF ACCEPTANCE: EVIDENCE SUBMITTED

2. New evidence submitted

A. DRAWINGS

1. Drawing No. **24555-0**, titled “Power Airette Exhaust and Supply Hooded Propeller Roof Ventilators”, sheets 1 through 11 of 11, dated 09/09/2016, prepared by Air System Components, Inc. dba PennBarry, signed and sealed by Gary T. Hartman, P.E. on 01/25/2022.

B. TESTS

1. None.

C. CALCULATIONS

1. Anchoring verification calculations prepared by ICC NTA, LLC, dated 01/24/2022, signed and sealed by Gary T. Hartman, P.E.

D. QUALITY ASSURANCE

1. Miami-Dade Department of Regulatory and Economic Resources (RER).

E. MATERIAL CERTIFICATIONS

1. None.

F. STATEMENTS

1. Statement letter of code conformance to the 7th Edition (2020) of the FBC, issued by ICC NTA, LLC, dated 01/25/2022 and signed and sealed by Gary T. Hartman, P.E.
2. Statement letter of no financial interest, issued by ICC NTA, LLC, dated 01/25/2022 and signed and sealed by Gary T. Hartman, P.E.



Carlos M. Utrera, P.E.
Product Control Examiner
NOA No. 22-0901.03
Expiration Date: September 7, 2027
Approval Date: October 6, 2022

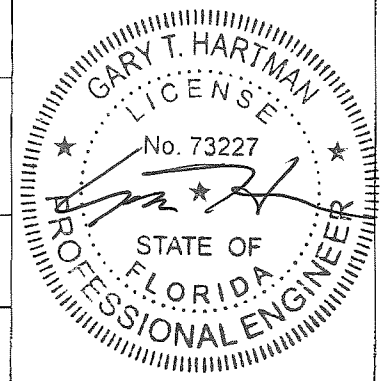
NOTES:

1. THE PRODUCT SHOWN HEREIN IS DESIGNED AND MANUFACTURED TO COMPLY WITH REQUIREMENTS OF THE FLORIDA BUILDING CODE INCLUDING THE HVHZ.
2. WOOD AND METAL FRAMING TO BE DESIGNED AND ANCHORED TO PROPERLY TRANSFER ALL LOADS TO STRUCTURE. FRAMING IS THE RESPONSIBILITY OF THE ARCHITECT OR ENGINEER OF RECORD.
3. DISSIMILAR MATERIALS MUST BE SEPARATED WITH APPROVED COATING OR MEMBRANE. SELECTION OF COATING OR MEMBRANE IS THE RESPONSIBILITY OF THE ARCHITECT OR ENGINEER OF RECORD.
4. ALLOWABLE STRESS INCREASE OF 1/3 WAS NOT USED IN THE DESIGN OF THE PRODUCT SHOWN HEREIN. WIND LOAD DURATION FACTOR $C_d=1.6$ WAS USED FOR WOOD ANCHOR CALCULATIONS.
5. FOR ANCHORING INTO WOOD FRAMING, #12x2" WOOD SCREWS WITH SUFFICIENT LENGTH TO ACHIEVE A 1 5/8" MINIMUM EMBEDMENT INTO SUBSTRATE. LOCATE ANCHORS AS SHOWN IN INSTALLATION DETAILS ON SHEET 6 OF 11.
6. FOR ANCHORING INTO CONCRETE USE 1/4"x2" TAPCONS WITH SUFFICIENT LENGTH TO ACHIEVE A 1 3/4" MINIMUM EMBEDMENT INTO SUBSTRATE WITH 2 1/2" MINIMUM EDGE DISTANCE. LOCATE ANCHORS AS SHOWN IN INSTALLATION DETAILS ON SHEET 6 OF 11.
7. FOR ANCHORING INTO METAL STRUCTURE USE #12 SMS OR SELF DRILLING SCREWS WITH SUFFICIENT LENGTH TO ACHIEVE 3 THREADS MINIMUM BEYOND STRUCTURE INTERIOR WALL. LOCATE ANCHORS AS SHOWN IN INSTALLATION DETAILS ON SHEET 6 OF 11.
8. ALL FASTENERS TO BE CORROSION RESISTANT.
9. INSTALLATION ANCHORS SHALL BE INSTALLED IN ACCORDANCE WITH ANCHOR MANUFACTURER'S INSTALLATION INSTRUCTIONS AND ANCHORS SHALL NOT BE USED IN SUBSTRATES WITH STRENGTHS LESS THAN THE MINIMUM STRENGTH SPECIFIED BELOW:
 - A. WOOD - MINIMUM SPECIFIC GRAVITY OF $G=0.55$
 - B. CONCRETE - MINIMUM COMPRESSIVE STRENGTH OF 2,000 PSI.
 - C. METAL STRUCTURE: STEEL 1/8" THK., 36KSI (Min.)
10. THIS APPROVAL IS FOR STRUCTURAL PERFORMANCE AND IMPACT RESISTANCE ONLY. INTERIOR MECHANISM AND/OR ELECTRICAL CIRCUITRY ARE OUTSIDE THE SCOPE OF THIS APPROVAL.
11. THESE UNITS WERE NOT TESTED FOR WATER PENETRATION PER FBC. TAS 100(A). THEY CANNOT BE INSTALLED WITHIN RIDGE AREA (FBC 1523.6.5.2.13)

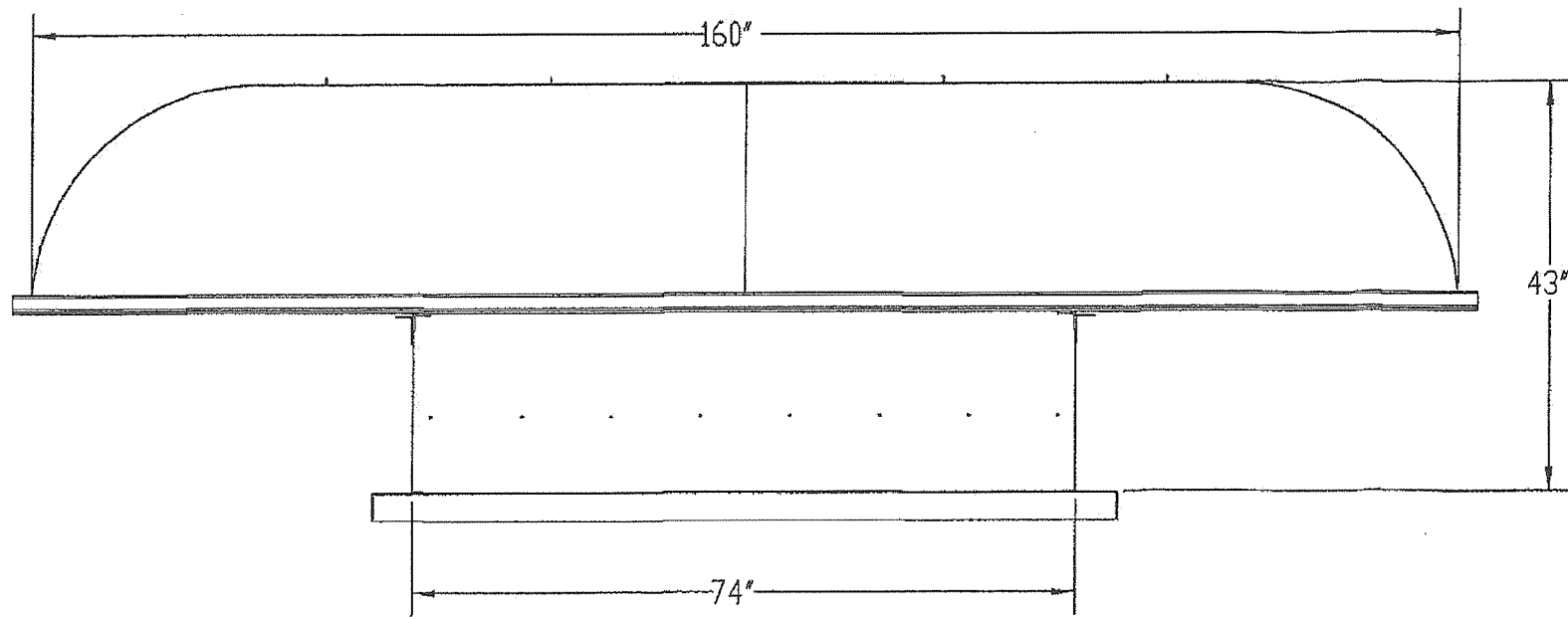
REVISIONS			
REV.	DESCRIPTION	DATE	APPROVED
A	-	-	-

TABLE OF CONTENTS	
SHEET NO.	DESCRIPTION
1	GENERAL NOTES
2	ELEVATIONS
3	B. O. M. POWER AIRETTE 24
4	B. O. M. POWER AIRETTE 48
5	B. O. M. POWER AIRETTE 72
6	POWER AIRETTE INSTALLATION 1
7	CURB CAP FASTENERS
8	POWER AIRETTE INSTALLATION 2
9	POWER AIRETTE COMPONENTS 24
10	POWER AIRETTE COMPONENTS 48
11	POWER AIRETTE COMPONENTS 72

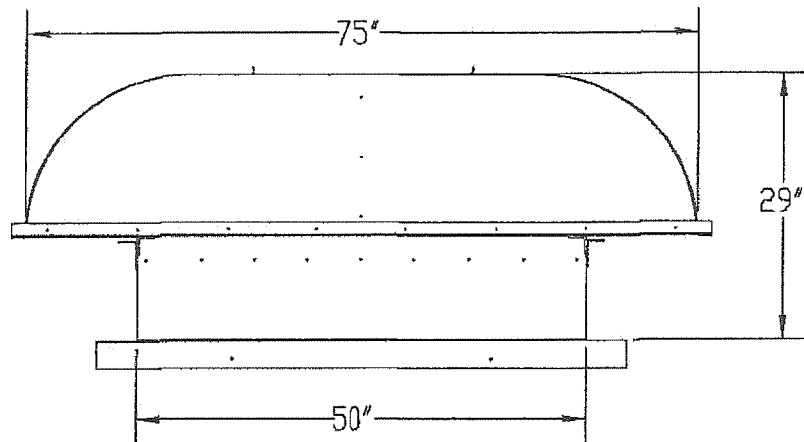
PRODUCT REVISED as complying with the Florida Building Code NOA-No. 22-0901.03 Expiration Date 09/07/2027 By <i>[Signature]</i> Miami-Dade Product Control		PennBarry 605 Shiloh RD Plano, TX 75074	
		POWER AIRETTE EXHAUST AND SUPPLY HOODED PROPELLER ROOF VENTILATORS GENERAL NOTES	
DRAWN	AMIT	DWG NO.	24555-0
SCALE	NTS	DATE	09/09/2016
		SHEET	1 OF 11



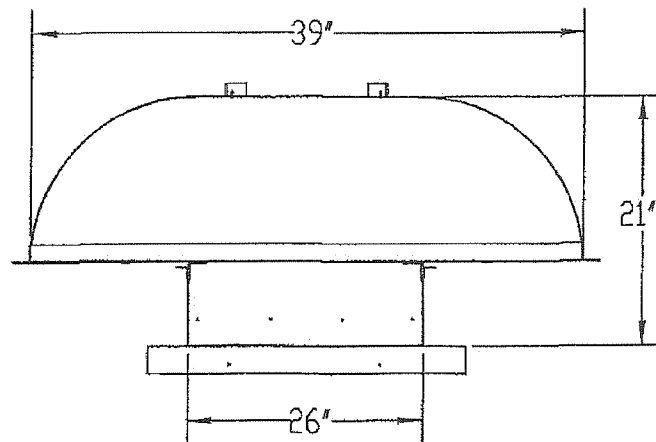
JAN 25 2022



SIZE 72 POWER AIRETTE EXHAUST ROOF VENTILATOR
EXTERIOR VIEW



SIZE 48 POWER AIRETTE EXHAUST ROOF VENTILATOR
EXTERIOR VIEW



SIZE 24 POWER AIRETTE EXHAUST ROOF VENTILATOR
EXTERIOR VIEW

REVISIONS			
REV.	DESCRIPTION	DATE	APPROVED
A	-	-	-

APPROVED MODELS						
SIZES	HOOD SQ. SIZE (IN)		AIRSHAFT SQ. SIZE (IN)	HEIGHT (IN)	WEIGHT DIRECT DRIVE (LBS)	WEIGHT BELT DRIVE (LBS)
	SUPPLY	EXHAUST				
24	48	39	26	21	300	300
30	57	48	32	25	350	350
36	66	57	38	25	450	450
42	75	66	44	29	625	625
48	84	75	50	29	750	750
54	93	84	56	31	-	1000
60	101x128	93	62	33	-	1150
72	93x190	93x160	74	43	-	1350

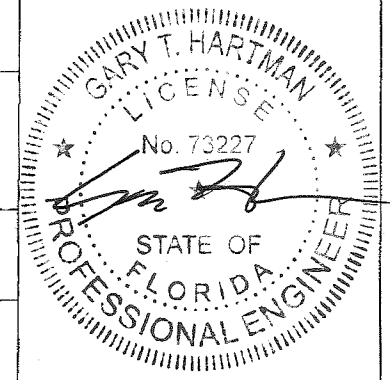
DESIGN PRESSURE RATING	IMPACT RATING
± 70.0PSF	NONE

PRODUCT REVISED
as complying with the Florida
Building Code
NOA-No. 22-0901.03
Expiration Date 09/07/2027
By *[Signature]*
Miami-Dade Product Control

PennBarry 605 Shiloh RD Plano, TX 75074

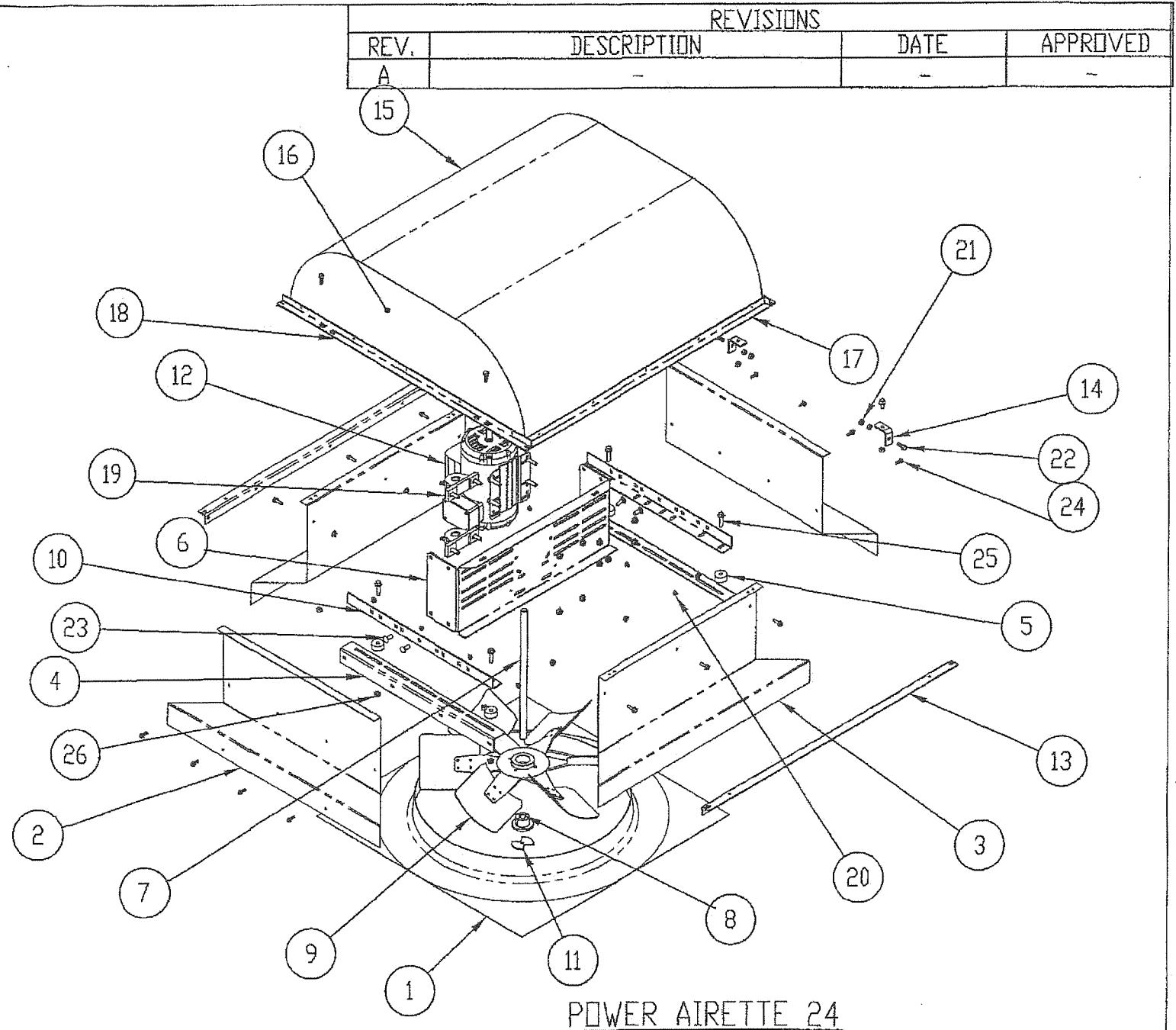
POWER AIRETTE EXHAUST AND SUPPLY
HOODED PROPELLER ROOF VENTILATORS
GENERAL NOTES

DRAWN: AMIT	DWG NO. 24555-0	REV
SCALE NTS	DATE 09/09/2016	SHEET 2 OF 11



JAN 25 2022

ITEM NO.	PART NUMBER	DESCRIPTION	MANUFACTURER	MAT.
1	08030-0	VENTURI AC/AR24 34SQ GALV	PENNBARRY	GALV.
2	08003	AE 24 AIRSHAFT 1	PENNBARRY	GALV.
3	08013	AE 24 AIRSHAFT 2	PENNBARRY	GALV.
4	08172-1	AE 24 A FRAME SUPPORT ANGLE	PENNBARRY	GALV.
5	18558-0	HS-HZ-AEP24 MOTOR&BRG PLT	PENNBARRY	GALV.
6	03378	SHAFT STL 0.75 18.00	PENNBARRY	STEEL
7	55002-0	BUSHING H-0.75	--	--
8	50242-0	PROP AE24	--	--
10	18560-0	HS-HZ-AEP24-36 MTR-BRG	--	--
11	12103	PROP LOCK PLATE(H)BUSHING	--	--
12	BALDOR 35LYE007_12.62	MOTOR	--	--
13	08011	HOOD SUPPORT ANGLE	PENNBARRY	GALV.
14	08090	PIVOT LUG (AE 24-30) HRS	--	--
15	08103	AE 24 HOOD TOP	PENNBARRY	GALV.
16	08133	AE 24 HOOD SIDE SNAPLOCK	PENNBARRY	GALV.
17	08146	AE 24 HOOD ANGLE ITEM A	PENNBARRY	GALV.
18	08147	AE 24 HOOD ANGLE ITEM B	PENNBARRY	GALV.
19	6494K13	BEARING, PILLOW BLOCK-0.75"	--	--
20	96282A101	WHIZ NUT .25-20	--	--
21	95462A515	HEX NUT 3/8-16	--	--
22	91309A624	HEX HD BOLT 3/8-16 X 1.0L	--	--
23	190021-N10	3/8-16 X 1.0L CARRAGE BOLT	--	--
24	190010-K8	WHIZ BOLT 1/4-20 X 1	--	--
25	190010-D15	WHIZ BOLT 3/8-16 X 1.5L	--	--
26	190013-D	NUT WHIZ 3/8-16 FLANGE	--	--

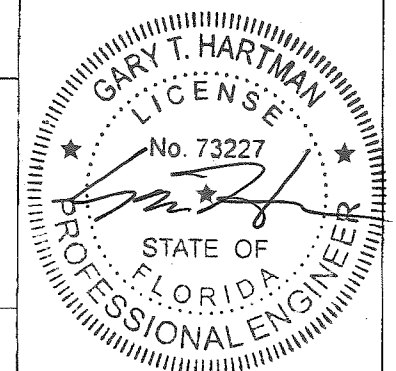


PRODUCT REVISED
as complying with the Florida
Building Code
NOA-No. 22-0901.03
Expiration Date 09/07/2027
By *[Signature]*
Miami-Dade Product Control

PennBarry 605 Shiloh RD Plano, TX 75074

POWER AIRETTE EXHAUST AND SUPPLY
HOODED PROPELLER ROOF VENTILATORS
BILL OF MATERIAL

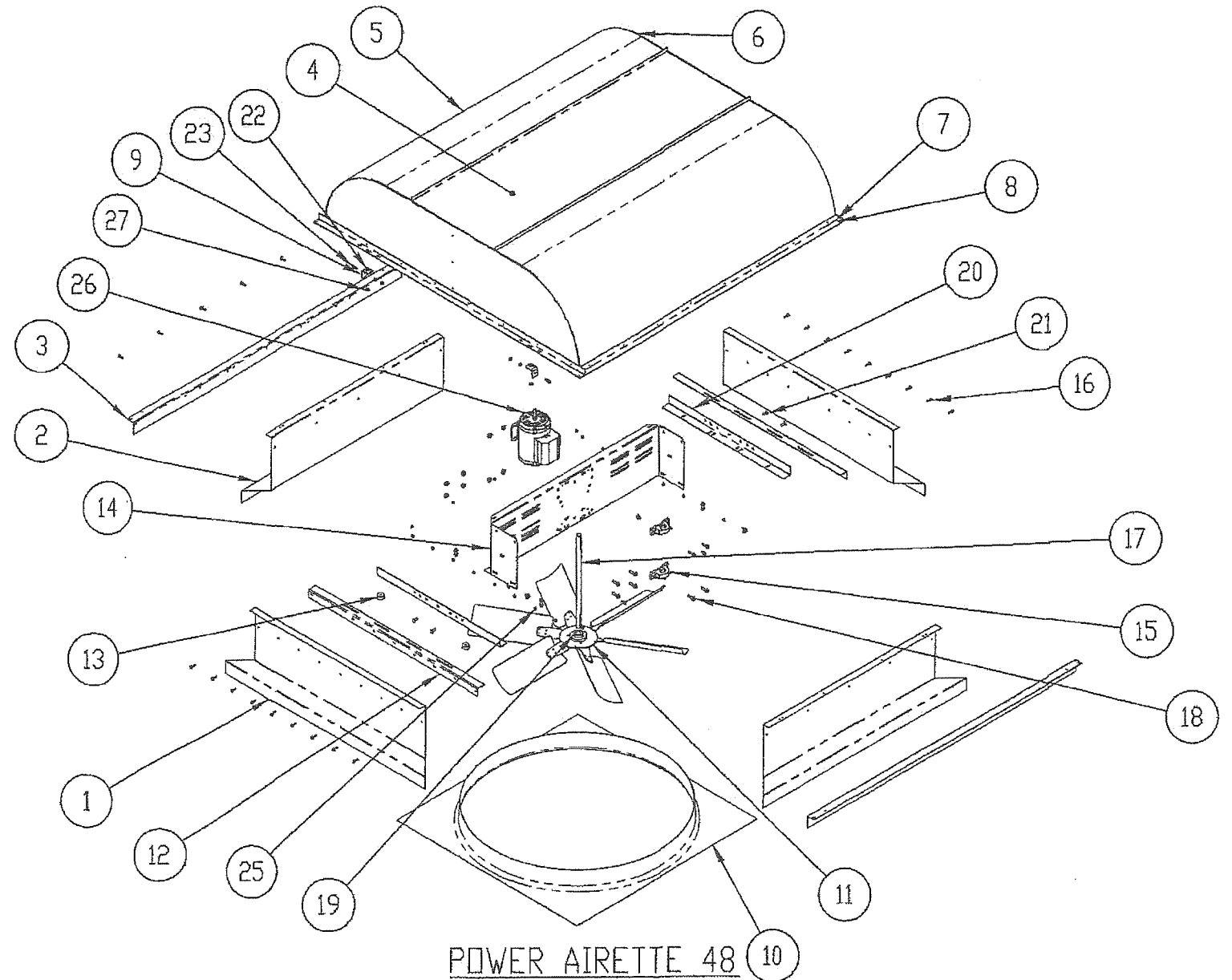
DRAWN AMIT	DWG NO. 24555-0	REV
SCALE NTS	DATE 09/09/2016	SHEET 3 OF 11



JAN 25 2022

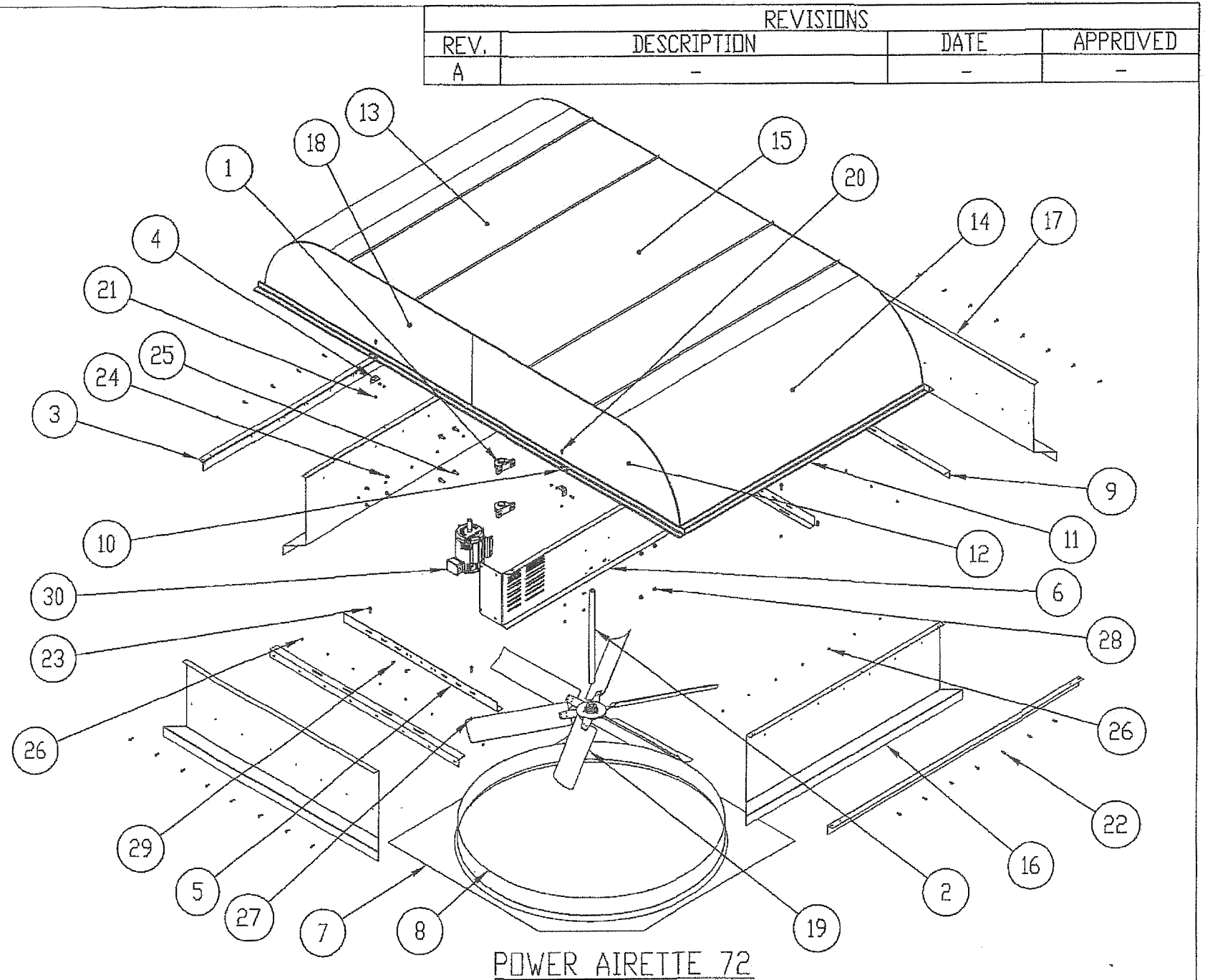
ITEM NO.	PART NUMBER	DESCRIPTION	MANUFACTURER	MATERIAL
1	08007-0	AE48 AIRSHAFT ITEM 1	PENNBARRY	GALV.
2	08017-0	AE48 AIRSHAFT ITEM2	PENNBARRY	GALV.
3	08047-0	AE48 HOOD SUPPORT ANGLE	PENNBARRY	GALV.
4	08111-1	AE48 HOOD TOP TYPE A	PENNBARRY	GALV.
5	08110-0	AE48 HOOD TOP END	PENNBARRY	GALV.
6	08137-1	AE48 HOOD SIDE	PENNBARRY	GALV.
7	08154-3	AE48 HOOD ANGLE ITEM A	PENNBARRY	GALV.
8	08155-3	AE48 HOOD ANGLE ITEM B	PENNBARRY	GALV.
9	08074-0	AE36-72 PIVOT LUG	PENNBARRY	GALV.
10	08034-0	AE48 VENTURI	PENNBARRY	GALV.
11	50246-0	AE48 PROP	--	--
12	08293-0	AE48 A-FRAME SUPPORT ANGLE	PENNBARRY	GALV.
13	63010-0	ISD VIB VI66 1.5DIA	PENNBARRY	GALV.
14	18591-0	AE48 MOTOR & BRG PLATE	PENNBARRY	GALV.
15	57090-0	BEARING 1.00 P2B	PENNBARRY	GALV.
16	190010-K8	WHIZ BOLT 1/4-20 X 1	--	--
17	03332-0	SHAFT STL 1.00 X 23.00	PENNBARRY	STEEL
18	190010-D15	WHIZ BOLT 3/8-16 X 1.5L	--	--
19	55012-0	BUSHING P1-1.00	--	--
20	18653-0	AE48 MTR&BRG PLT SUPPORT ANGLE	PENNBARRY	GALV.
21	190021-N10	3/8-16 X 1.0L CARRAGE BOLT	--	--
22	190010-P8	WHIZ BOLT 3/8-16 X .75L	--	--
23	91309A624	HEX HD BOLT 3/8-16 X 1.0L	--	--
24	95462A515	HEX NUT 3/8-16	--	--
25	190013-K	WHIZ NUT 1/4-20	--	--
26	35LYM497	MOTOR	--	--
27	190013-D	NUT WHIZ 3/8-16 FLANGE	--	--

REVISIONS			
REV.	DESCRIPTION	DATE	APPROVED
A	-	-	-



PRODUCT REVISED as complying with the Florida Building Code NOA-No. 22-0901.03 Expiration Date 09/07/2027 By <i>[Signature]</i> Miami-Dade Product Control	PennBarry 605 Shiloh RD Plano, TX 75074			
	POWER AIRETTE EXHAUST AND SUPPLY HOODED PROPELLER ROOF VENTILATORS COMPONENTS AND DETAILS			
	DRAWN: AMIT	DWG NO: 24555-0	REV:	
	SCALE: NTS	DATE: 09/09/2016	SHEET: 4 OF 11	

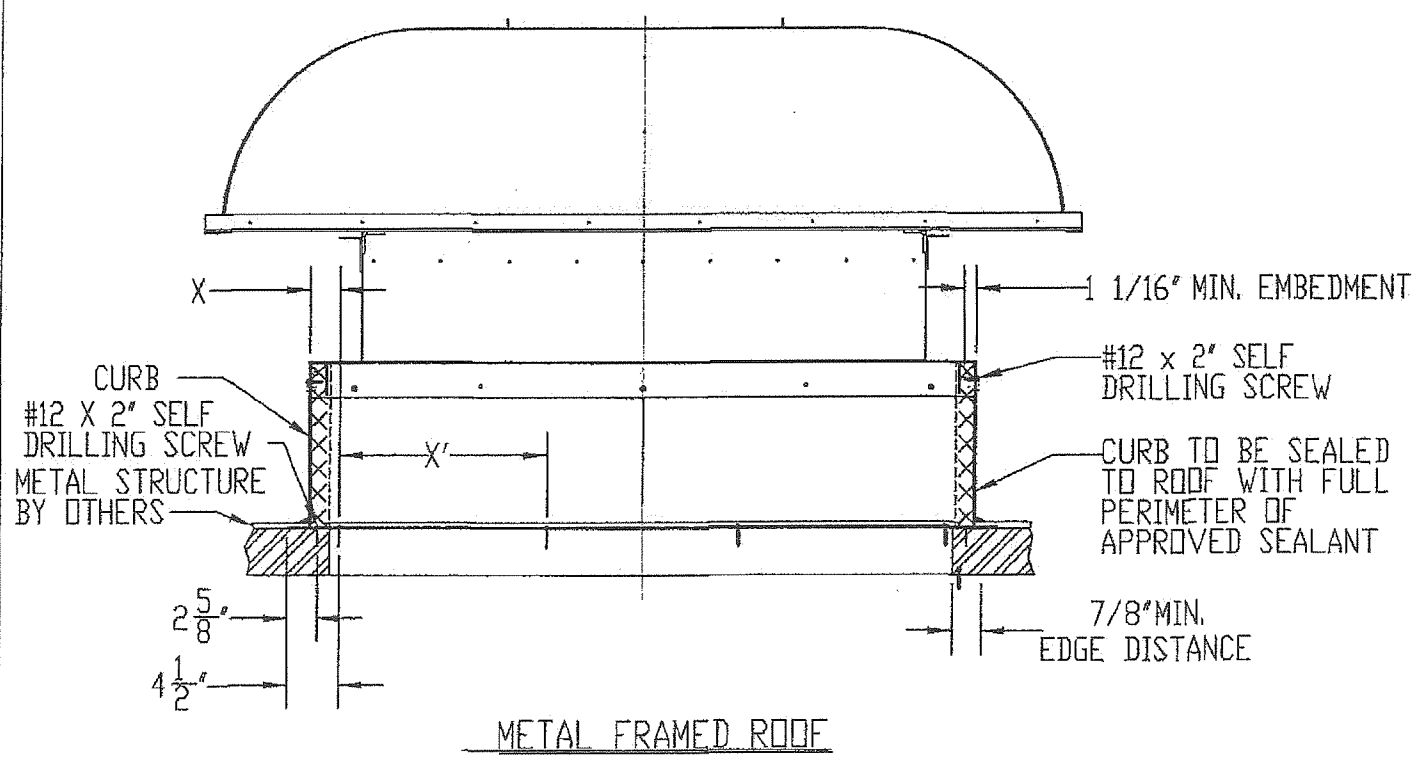
ITEM NO.	PART NUMBER	DESCRIPTION	MANUFACTURER	MATERIAL
1	2722T38	BEARING	PENNBARRY	GALV.
2	03375	SHAFT 1-7/16 X 30 TYPE2	PENNBARRY	STEEL
3	08049	AE 60 HOOD SUPP ANGLE	PENNBARRY	GALV.
4	08074-0	SUPPORT BRACKET	PENNBARRY	GALV.
5	18663-0	HS HZ AEP60 MTR&BRG PLT S	--	--
6	18669-0-2	AC72 MOTOR & BEARING PLAT	PENNBARRY	GALV.
7	19166-0	AE72 VENTURI PLATE	PENNBARRY	GALV.
8	19167-0	AE72 VENTURI COLLAR	PENNBARRY	GALV.
9	19168-0	AE72 A-Frame Angle	PENNBARRY	GALV.
10	19171	AE72 EXHAUST HOOD ANGLE	PENNBARRY	GALV.
11	19172	AE72 HOOD ANGLE SHORT	PENNBARRY	GALV.
12	19173	AE72 HOOD SIDES LEFT EXH	PENNBARRY	GALV.
13	19174	AE72 HOOD TOP TYPE A EXH	PENNBARRY	GALV.
14	19175	AE72 HOOD TOP END	PENNBARRY	GALV.
15	19176	AE72 HOOD TOP TYPE A	PENNBARRY	GALV.
16	19489	AC/AF72 AIRSHAFT ITEM 2	PENNBARRY	GALV.
17	19491	AC/AF72 AIRSHAFT ITEM 1	PENNBARRY	GALV.
18	19500	AE72 HOOD SIDE RIGHT EX	PENNBARRY	GALV.
19	50466-0	PROP AL 72 30B-6 BOS Q	--	CAST AL.
20	91309A624	HEX HD BOLT 3/8-16 X 1.0L	--	--
21	95462A515	HEX NUT 3/8-16	--	--
22	190010-K8	WHIZ BOLT 1/4-20 X 1	--	--
23	190010-D15	WHIZ BOLT 3/8-16 X 1.5L	--	--
24	190010-P8	WHIZ BOLT 3/8-16 X .75L	--	--
25	190010-S15	WHIZ BOLT 1/2-20 X 1.0L	--	--
26	190013-K	WHIZ NUT 1/4-20	--	--
27	190013-D	NUT WHIZ 3/8-16 FLANGE	--	--
28	190013-S	WHIZ NUT 1/2-20	--	--
29	190021-N10	3/8-16 X 1.0L CARRAGE BOLT	--	--
30	MOTOR	182T MOTOR	--	--



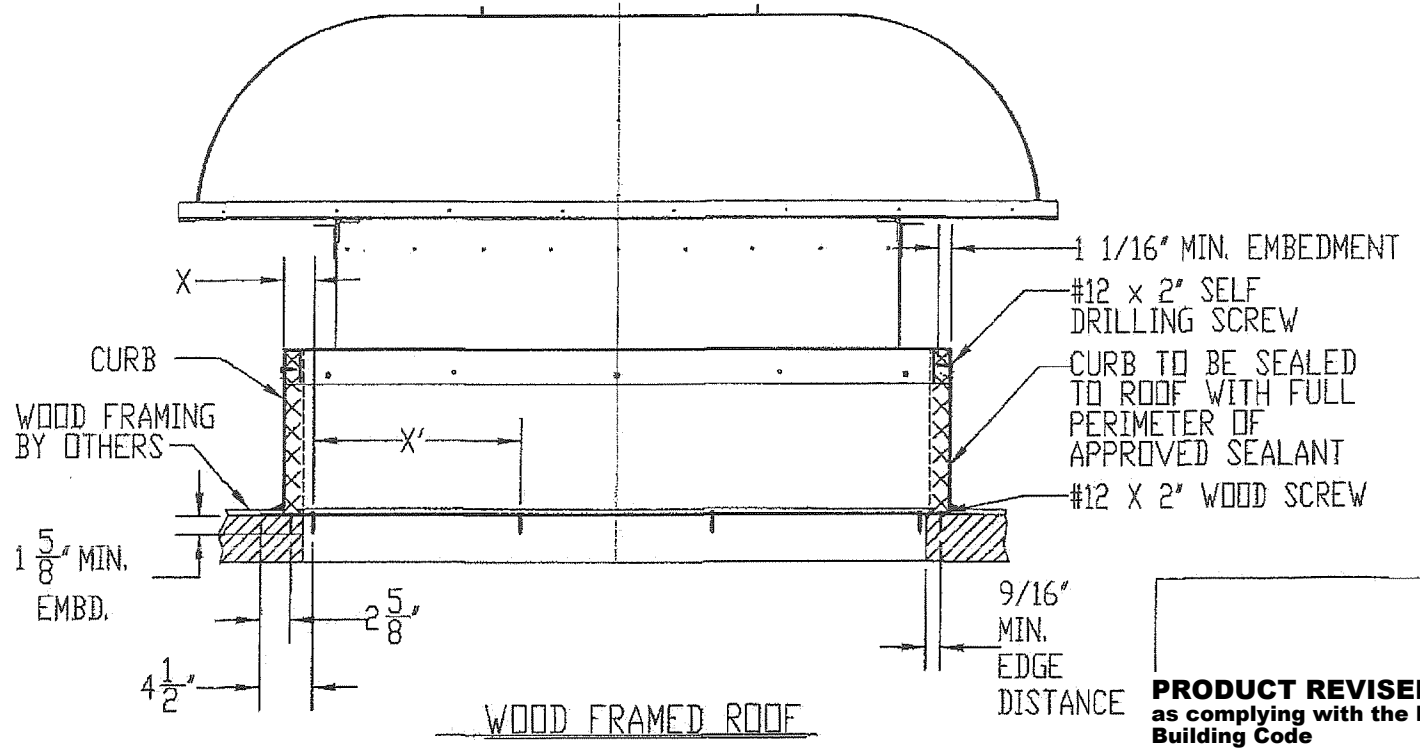
PRODUCT REVISED as complying with the Florida Building Code NOA-No. 22-0901.03 Expiration Date 09/07/2027 By <i>[Signature]</i> Miami-Dade Product Control		PennBarry 605 Shiloh RD Plano, TX 75074			
		POWER AIRETTE EXHAUST AND SUPPLY HOODED PROPELLER ROOF VENTILIATORS COMPONENTS AND DETAILS			
DRAWN	AMIT	DWG NO.	24555-0	REV	
SCALE	NTS	DATE	09/09/2016	SHEET	5 OF 11

REVISIONS			
REV.	DESCRIPTION	DATE	APPROVED
B	Increase fastener count for AC72	12/20/21	DH

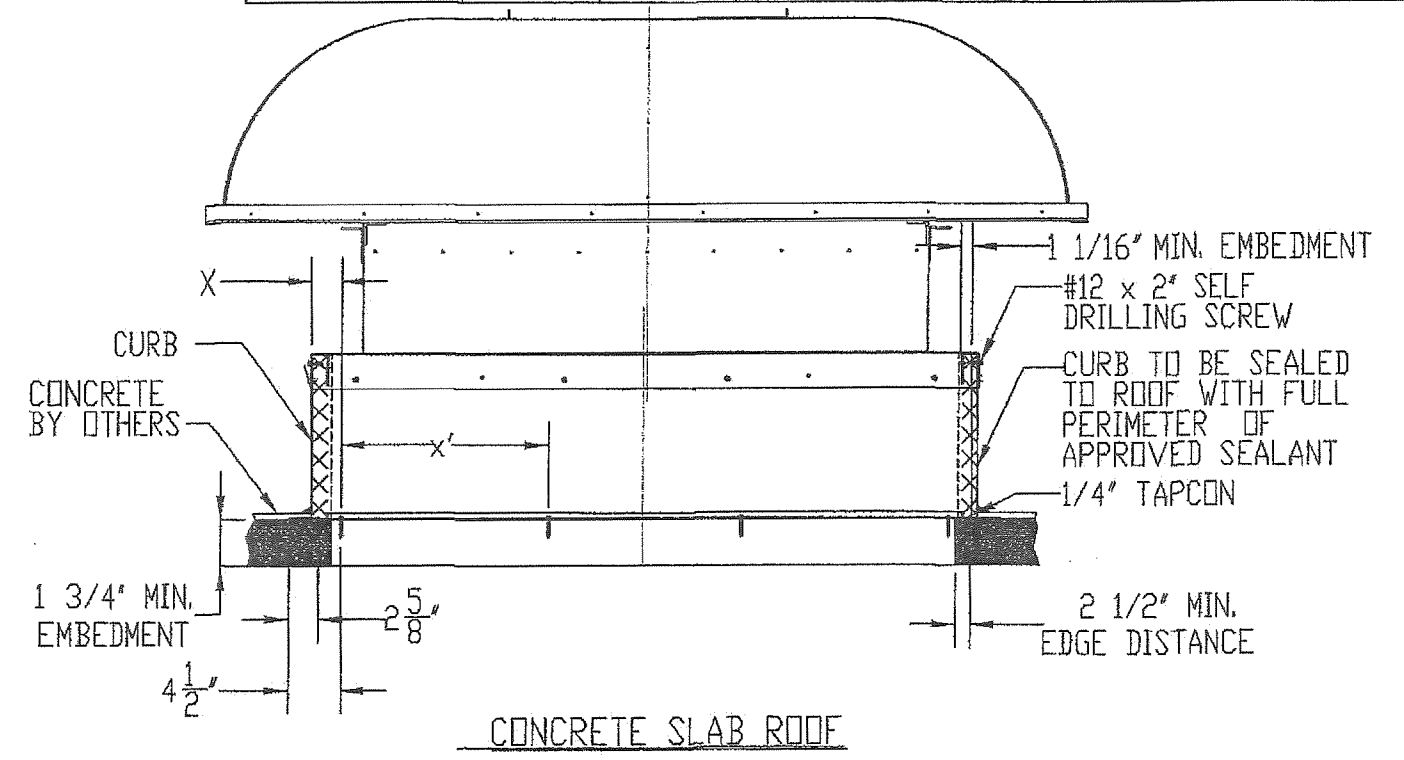
Roof Curb to Roof Deck Anchors					
	# 12-2" (UNIT TO CURB)	X MAX	Metal Roof	Wood Roof	Concrete Roof
			# of 12x2" S.D.S(# of fasteners- PER SIDE)	# of 12x2" Wood Screws (# of fasteners- PER SIDE)	1/4"x2" Tapcons(# of fasteners- PER SIDE)
AC24	16	2	20 (5 per SIDE)	20 (5 per SIDE)	20 (5 per SIDE)
AC30	16	3	24 (6 per SIDE)	24 (6 per SIDE)	24 (6 per SIDE)
AC36	16	3	28 (7 per SIDE)	28 (7 per SIDE)	28 (7 per SIDE)
AC42	16	3	28 (7 per SIDE)	28 (7 per SIDE)	28 (7 per SIDE)
AC48	16	3	32 (8 per SIDE)	32 (8 per SIDE)	32 (8 per SIDE)
AC54	20	3	36 (9 per SIDE)	36 (9 per SIDE)	36 (9 per SIDE)
AC60	20	3	36 (9 per SIDE)	36 (9 per SIDE)	36 (9 per SIDE)
AC72	32	3	52 (13 per SIDE)	64 (16 per SIDE)	48 (12 per SIDE)



METAL FRAMED ROOF



WOOD FRAMED ROOF



CONCRETE SLAB ROOF

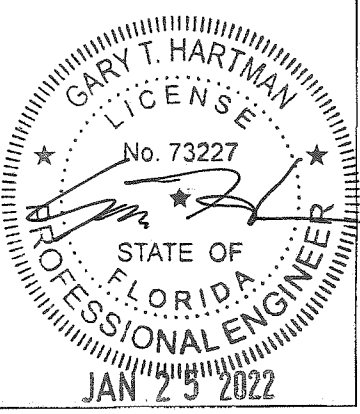
- NOTES:
1. ALL FOUR SIDES OF CURB AND BASE ARE ANCHORED IDENTICALLY.
 2. ROOF CURB IS INSTALLED TO ROOF FIRST. ONCE CURB IS INSTALLED FAN IS ATTACHED TO CURB USING #12x2" SELF DRILLING SCREWS AS SHOWN ABOVE.
 3. SEE SHEET 8 OF 11, COMPONENTS FOR ROOF CURB CONSTRUCTION.
 4. UNITS MAYBE INSTALLED WITH, ALUMINUM 3003-H14 CURB OR GALVANIZED STEEL CURB.

PRODUCT REVISED
 as complying with the Florida Building Code
 NOA-No. 22-0901.03
 Expiration Date 09/07/2027
 By *[Signature]*
 Miami-Dade Product Control

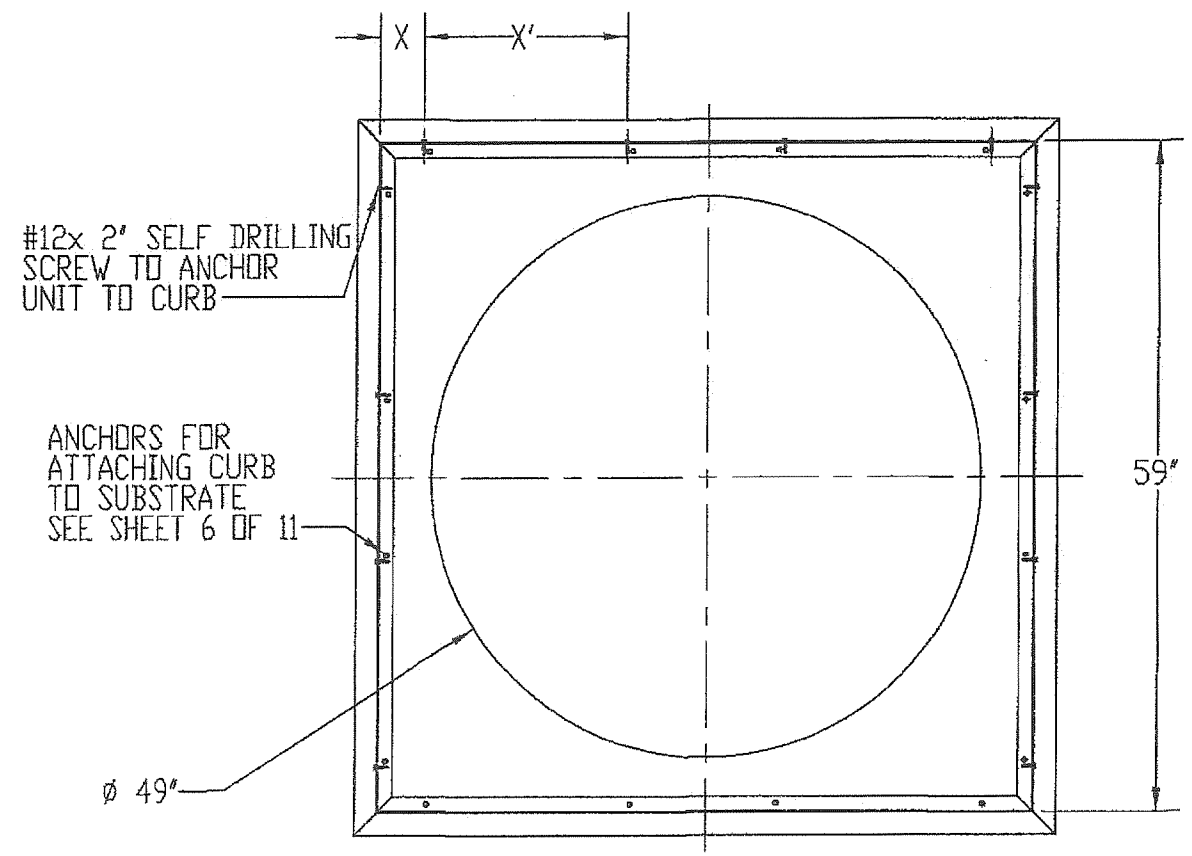
PennBarry 605 Shiloh RD Plano, TX 75074

POWER AIRETTE EXHAUST AND SUPPLY
 HOODED PROPELLER ROOF VENTILATORS
 INSTALLATION DETAILS

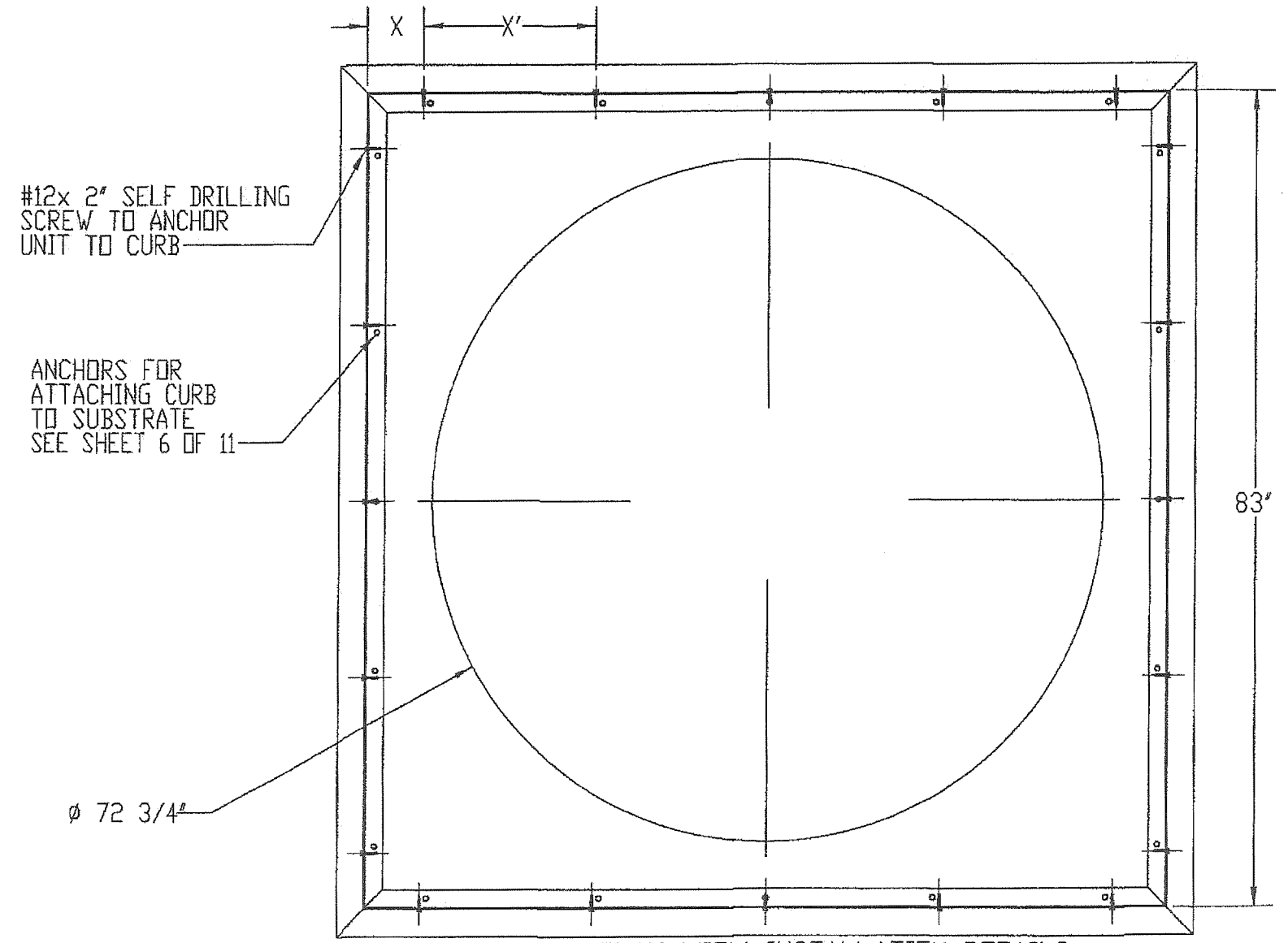
DRAWN	DWG. NO.	REV.
AMIT	24555-0	
SCALE	DATE	SHEET
NTS	09/09/2016	6 OF 11



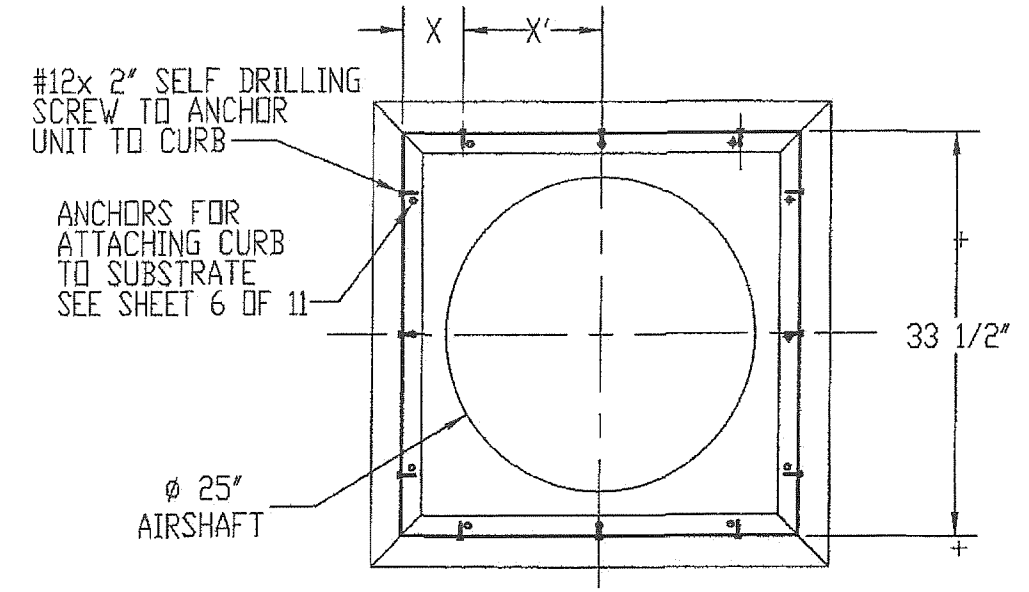
REVISIONS			
REV.	DESCRIPTION	DATE	APPROVED
A	-	-	-



AC48 PLAN VIEW INSTALLATION DETAILS
HOOD & INTERIOR COMPONENTS ARE NOT SHOWN FOR CLARITY
(SEE PAGE 6 FOR FASTENER LOCATIONS)



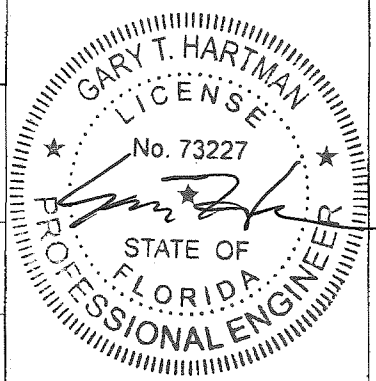
AC72 PLAN VIEW INSTALLATION DETAILS
HOOD & INTERIOR COMPONENTS ARE NOT SHOWN FOR CLARITY
(SEE PAGE 6 FOR FASTENER LOCATIONS)



AC24 PLAN VIEW INSTALLATION DETAILS
HOOD & INTERIOR COMPONENTS ARE NOT SHOWN FOR CLARITY
(SEE PAGE 6 FOR FASTENER LOCATIONS)

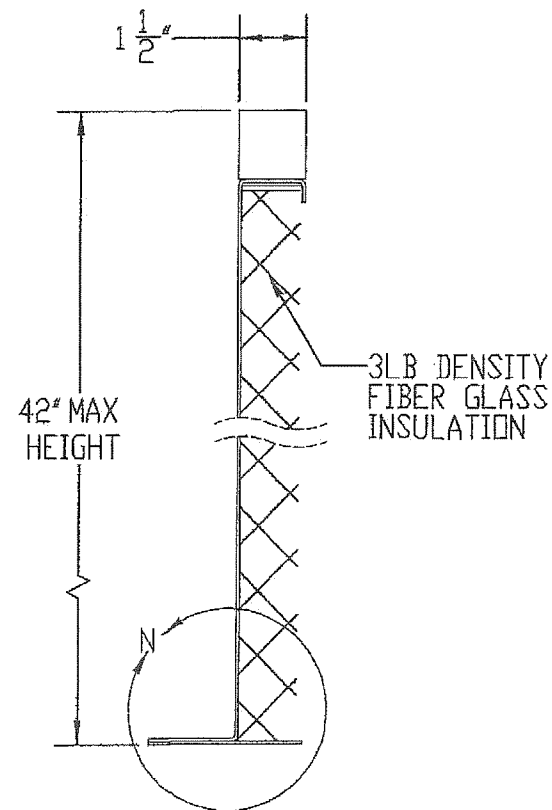
PRODUCT REVISED
as complying with the Florida Building Code
NOA-No. 22-0901.03
Expiration Date 09/07/2027
By *[Signature]*
Miami-Dade Product Control

PennBarry 605 Shiloh RD Plano, TX 75074			
POWER AIRETTE EXHAUST AND SUPPLY HOODED PROPELLER ROOF VENTILATORS COMPONENTS DETAILS			
DRAWN	BYG NOL	REV	
AMIT	24555-0		
SCALE	DATE	SHEET	
NTS	09/09/2016	7 OF 11	

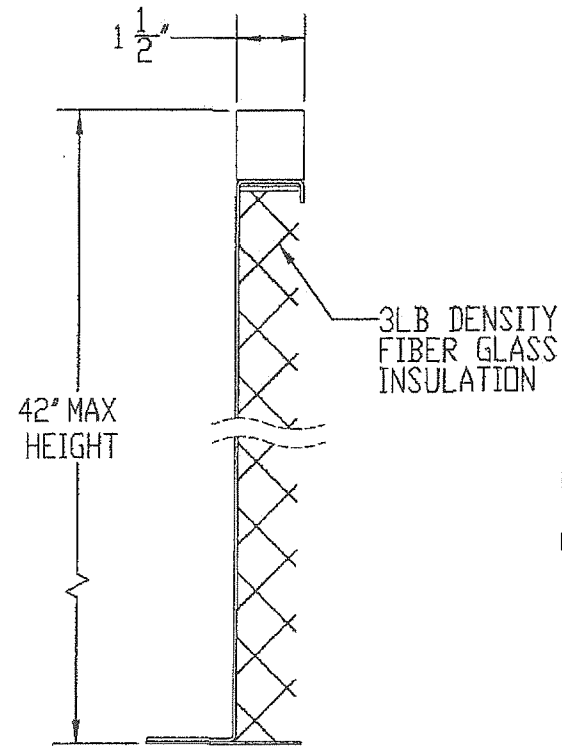


JAN 25 2022

REVISIONS			
REV.	DESCRIPTION	DATE	APPROVED
A	-	-	-



ROOF CURB
18GA G-90 GALV. STEEL
MI VALUE : X= 20.5405
Y=0.3060

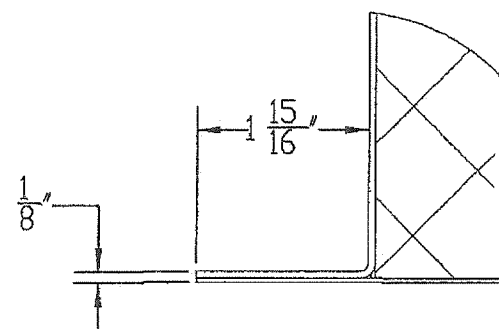
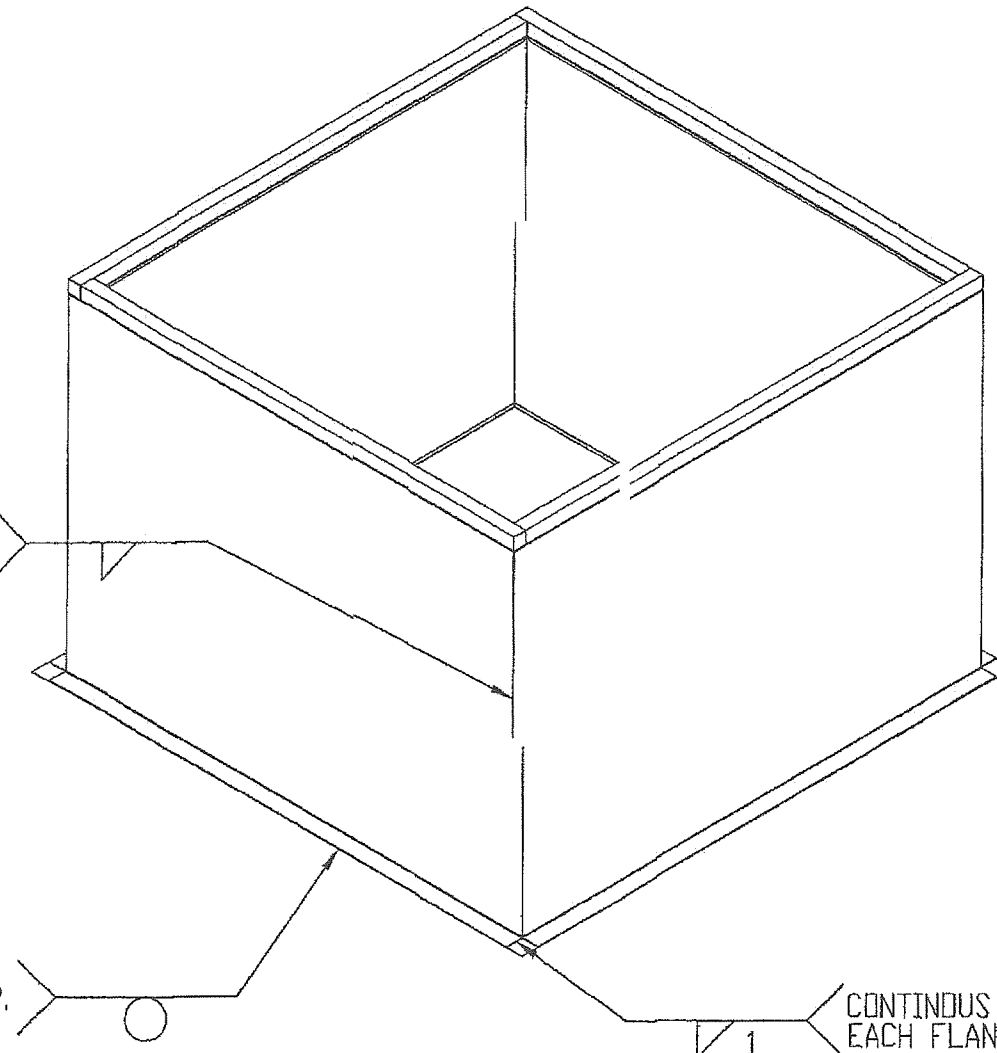


OPTIONAL ROOF CURB
ALUMINIUM 3003-H14 10GA, 0.125" THK.
MI VALUE : X= 51.1390
Y= 0.7384

CONTINUOUS WELDED CORNERS TYP.

BASE PLATE TO CURB FLANGE TYP. 6" SPACING

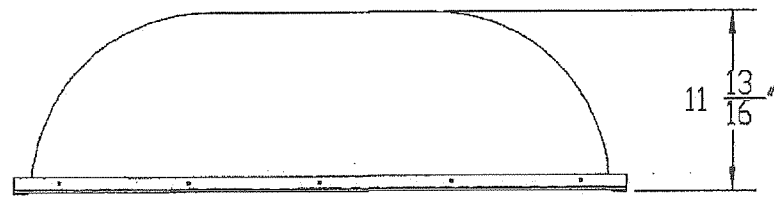
CONTINUOUS WELD FROM CORNER EACH FLANGE .1" TYP



DETAIL N
SCALE 1 : 2

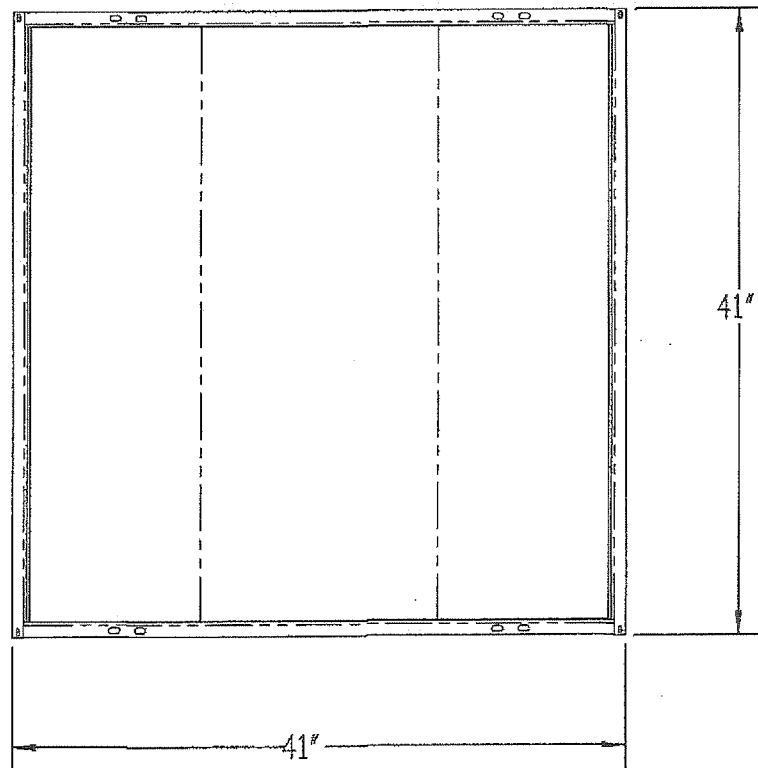
PRODUCT REVISED as complying with the Florida Building Code NOA-No. 22-0901.03 Expiration Date 09/07/2027 By <i>[Signature]</i> Miami-Dade Product Control	PennBarry 605 Shiloh RD Plano, TX 75074		
	POWER AIRETTE EXHAUST AND SUPPLY HOODED PROPELLER ROOF VENTILATORS INSTALLATION DETAILS		
DRAWN: AMIT	DWG NO. 24555-0	REV	
SCALE: NTS	DATE: 09/09/2016	SHEET: 8 OF 11	

JAN 25 2022

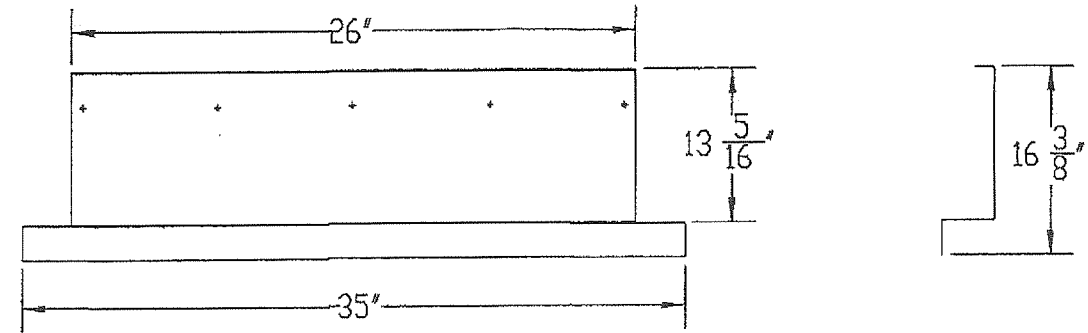


POWER AIRETTE 24

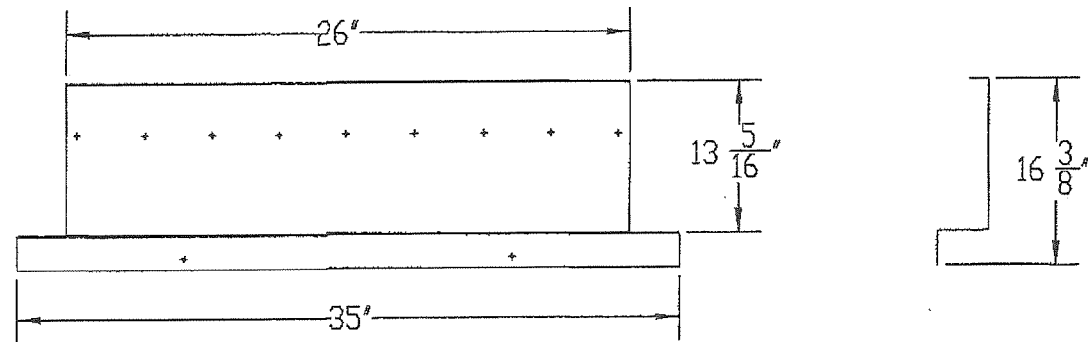
REVISIONS			
REV.	DESCRIPTION	DATE	APPROVED
A	-	-	-



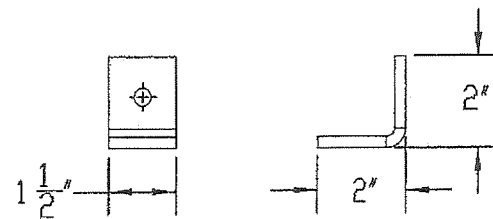
ACCESS HOOD ASSY.
10GA(0.13"), GALV. STEEL



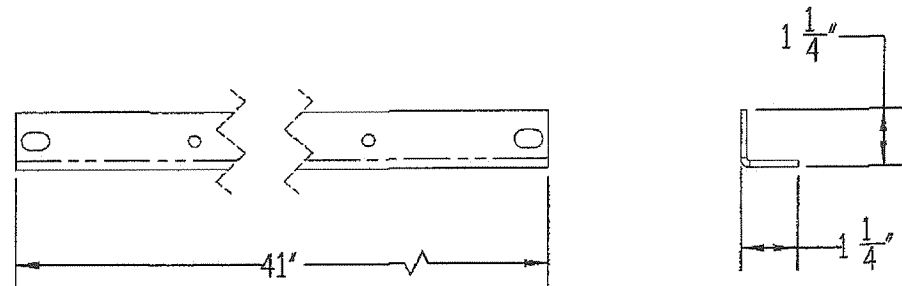
AIR SHAFT 2
16GA(0.06"), GALV. STEEL



AIRSHAFT 1
16GA(0.06"), GALV. STEEL



PIVOT LUG
1/4" THK.



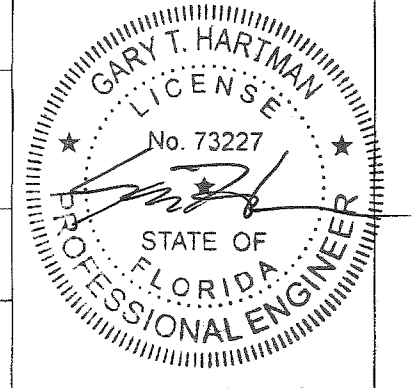
HOOD SUPPORT ANGLE
11GA(0.125"), GALV. STEEL

PennBarry 605 Shiloh RD Plano, TX 75074

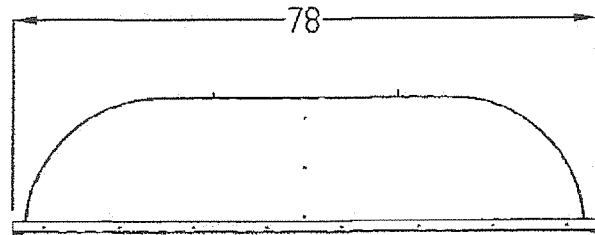
POWER AIRETTE EXHAUST AND SUPPLY
HOODED PROPELLER ROOF VENTILATIONS
COMPONENTS DETAILS

PRODUCT REVISED
as complying with the Florida
Building Code
NOA-No. 22-0901.03
Expiration Date 09/07/2027
By *[Signature]*
Miami-Dade Product Control

DRAWN AMIT	DWG NO. 24555-0	REV
SCALE NTS	DATE 09/09/2016	SHEET 9 OF 11

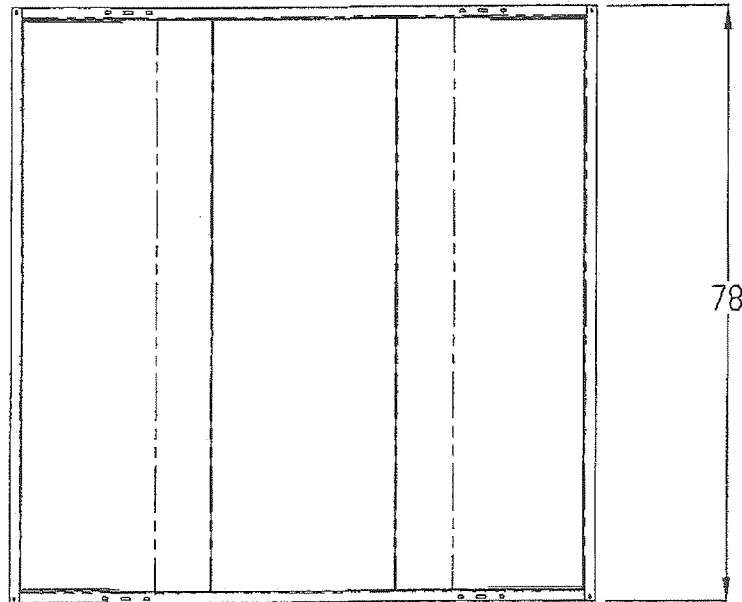


JAN 25 2022

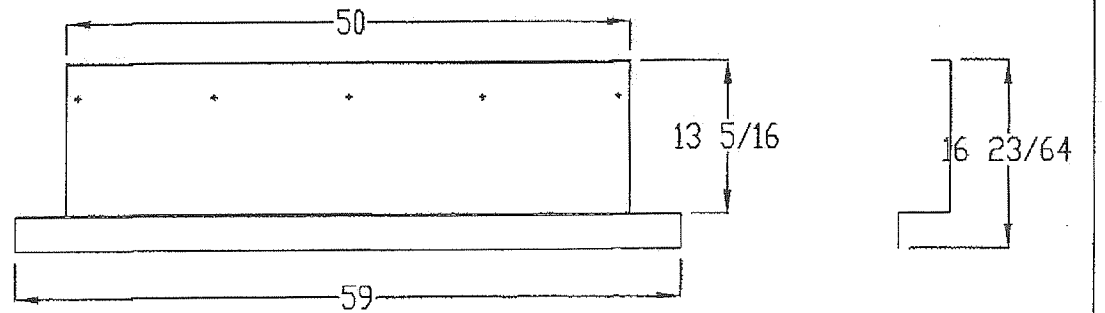


POWER AIRETTE 48

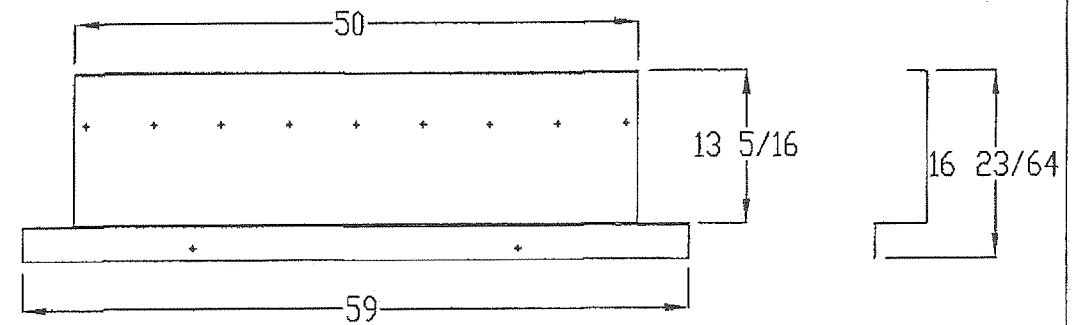
REVISIONS			
REV.	DESCRIPTION	DATE	APPROVED
A	-	-	-



ACCESS HOOD ASSY.
10GA(0.13"), GALV. STEEL



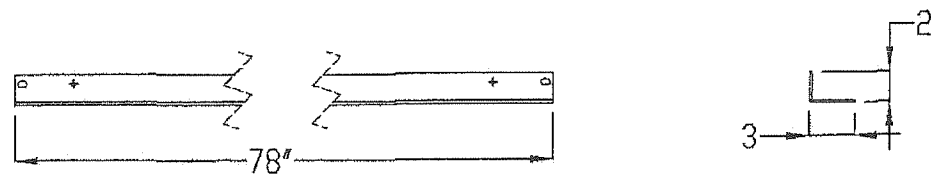
AIRSHAFT ITEM2
16GA(0.06"), GALV. STEEL



AIRSHAFT ITEM1
16GA(0.06"), GALV. STEEL



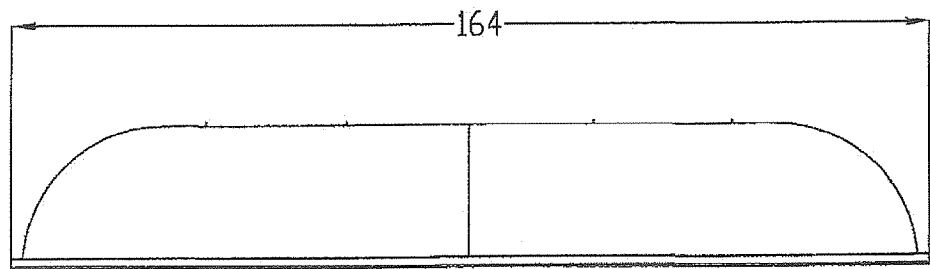
PIVOT LUG
1/4" THK.



HOOD SUPPORT ANGLE
11GA(0.125"), GALV. STEEL

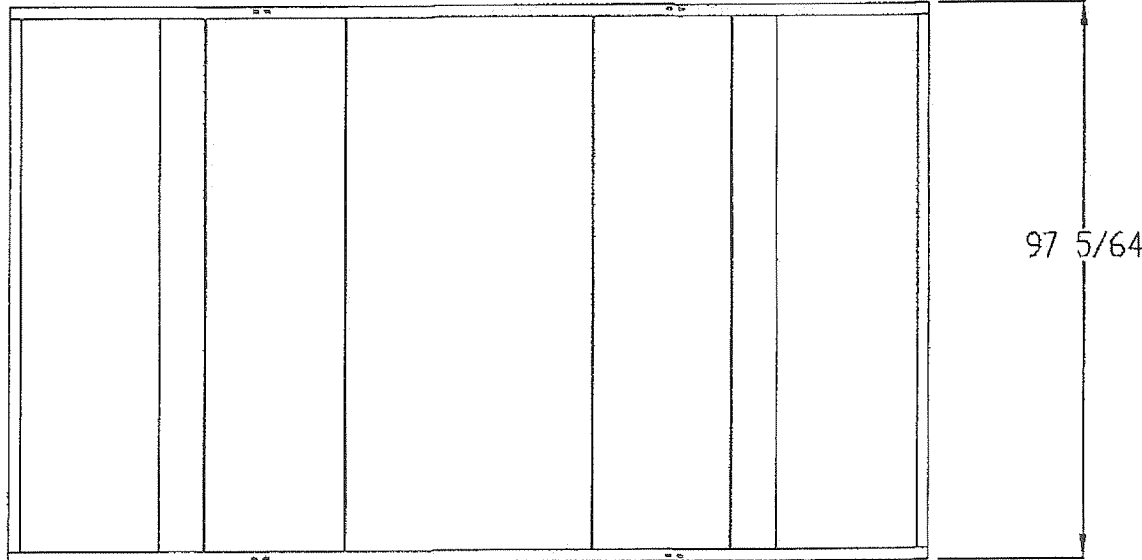
PRODUCT REVISED as complying with the Florida Building Code NOA-No. 22-0901.03 Expiration Date 09/07/2027 By <i>[Signature]</i> Miami-Dade Product Control	PennBarry 605 Shiloh RD Plano, TX 75074		
	POWER AIRETTE EXHAUST AND SUPPLY HOODED PROPELLER ROOF VENTILATORS COMPONENTS DETAILS		
	DRAWN AMIT	DWG NO. 24555-0	
SCALE NTS	DATE 09/09/2016	SHEET 10 OF 11	

JAN 25 2022

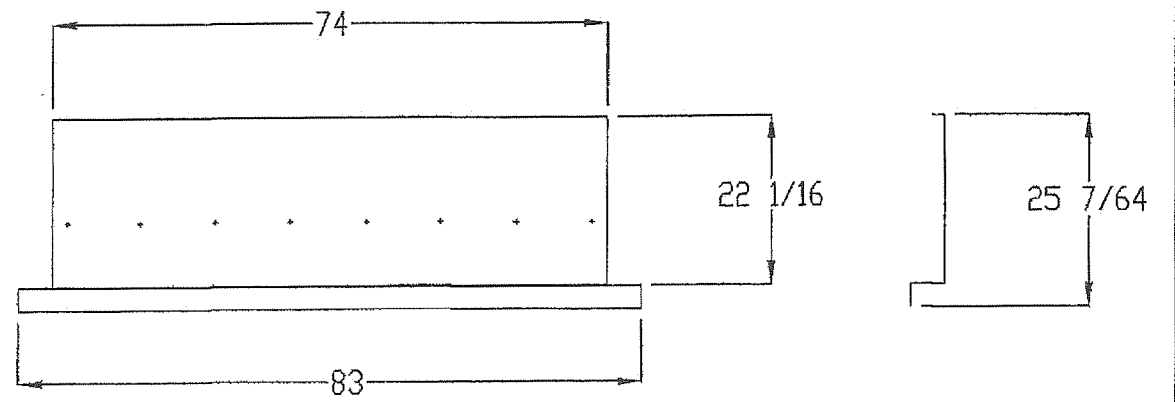


POWER AIRETTE 72

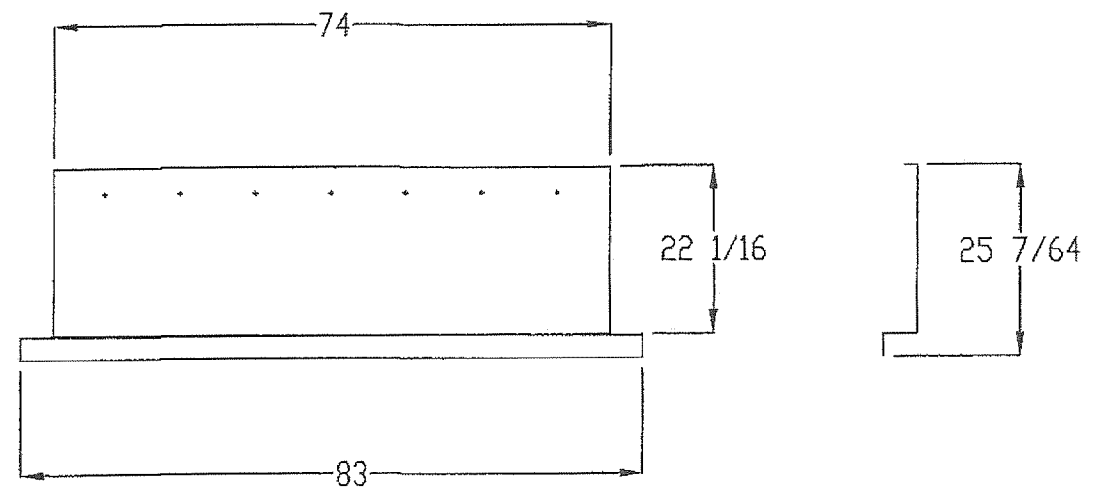
REVISIONS			
REV.	DESCRIPTION	DATE	APPROVED
A	-	-	-



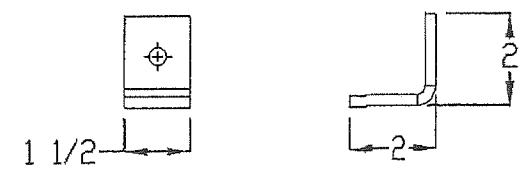
ACCESS HOOD ASSY.
10GA(0.13"), GALV. STEEL



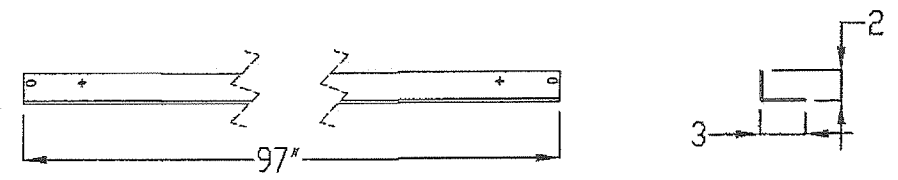
AIR SHAFT ITEM 2
16GA(0.06"), GALV. STEEL



AIR SHAFT ITEM 1
16GA(0.06"), GALV. STEEL



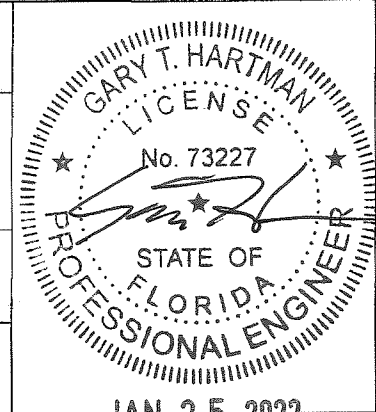
SUPPORT BRACKET
1/4" THK.



HOOD SUPPORT ANGLE
11GA(0.125"), GALV. STEEL

PRODUCT REVISED
as complying with the Florida
Building Code
NOA-No. 22-0901.03
Expiration Date 09/07/2027
By *[Signature]*
Miami-Dade Product Control

PennBarry 605 Shiloh RD Plano, TX 75074		
POWER AIRETTE EXHAUST AND SUPPLY HOODED PROPELLER ROOF VENTILATORS COMPONENTS DETAILS		
DRAWN AMIT	DWG NO. 24555-0	REV
SCALE NTS	DATE 09/09/2016	SHEET 11 OF 11



JAN 25 2022